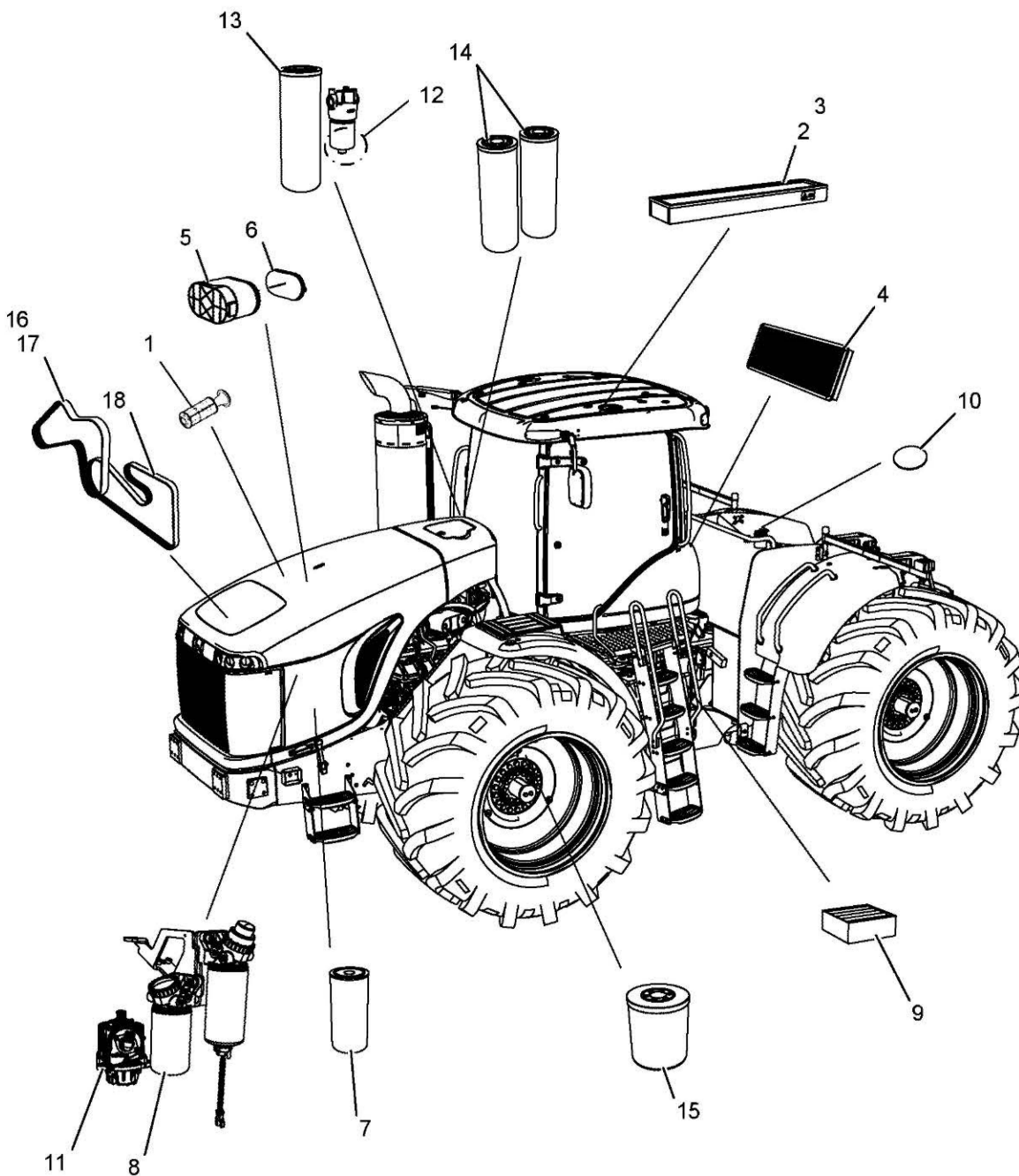


1952252 - FILTER AND BELT GUIDE FOR MT900E - MT900E	01-0001
574605D1 - COOLING GROUP	01-0002
574605D1 - COOLING GROUP	01-0003
574605D1 - COOLING GROUP	01-0004
582891D1 - COOLING GROUP - 2016	01-0005
582891D1 - COOLING GROUP - 2016	01-0006
582891D1 - COOLING GROUP - 2016	01-0007
575050D1 - COOLER ASSEMBLY	01-0008
AP16H1014 - COOLANT PIPING	01-0009
AP17H1015 - COOLANT PUMP AND THERMOSTAT	01-0010
580888D1 - ACCESSORY DRIVE GROUP T4F MT955E, MT965E	01-0011
578626D1 - ACCESSORY DRIVE GROUP T4F- MT975E	01-0012
V12LONGBLOCK - LONG BLOCK ENGINE	01-0013
AP29H1023 - LONG BLOCK ENGINE - SERVICE PARTS	01-0014
AP3H1002 - FLYWHEEL AND HOUSING	01-0015
AP7H1006 - INTAKE MANIFOLD	01-0016
AP8H1007 - EXHAUST MANIFOLD	01-0017
AP10H1008 - HIGH PRESSURE TURBOCHARGER	01-0018
AP11H1009 - LOW PRESSURE TURBOCHARGER AND ICAC	01-0019
AP12H1010 - EXHAUST GAS RECIRCULATION (EGR)	01-0020
1703484 - OIL COOLER AND FILTER	01-0021
AP15H1013 - CLOSED CRANKCASE VENTILATION (CCV)	01-0022
583404D1 - CCV INTAKE HOSE GROUP	01-0023
AP18H1016 - FUEL INJECTION SYSTEM	01-0024
AP19H1017 - FUEL FILTERS	01-0025
AP24H1020 - BELT TENSIONER	01-0026
AP20H1019 - ELECTRONIC ENGINE MANAGEMENT	01-0027
AP20H1018 - ELECTRONIC ENGINE MANAGEMENT	01-0028
AP26H1021 - EXHAUST AFTERTREATMENT	01-0029
578831D1 - FUEL LINES GROUP	01-0030
578831D1 - FUEL LINES GROUP	01-0031
578884D1 - FUEL LINES GROUP - FUEL WATER SEPARATOR FILTER ASSEMBLY	01-0032
578884D1 - FUEL LINES GROUP - FUEL WATER SEPARATOR FILTER ASSEMBLY	01-0033
569656D1 - FUEL WATER SEPARATOR FILTER ASSEMBLY	01-0034
597813D1 - FUEL WATER SEPARATOR FILTER ASSEMBLY	01-0035
553158D1 - ENGINE OIL SERVICE GROUP	01-0036
563282D1 - OIL DRAIN VALVE GROUP	01-0037
570264D2 - AIR INTAKE GROUP - ENGINE	01-0038
570263D1 - AIR FILTER ASSEMBLY - ENGINE	01-0039

573454D1 - EXHAUST GROUP	01-0040
582884D1 - EXHAUST GROUP - TIER 4, FINAL COMPLIANT 2016	01-0041
570265D1 - EXHAUST GROUP - LESS REGULATED COUNTRIES	01-0042
573458D1 - SCR PARTS ASSEMBLY - 16.8 L ENGINE SELECTIVE CATALYTIC REDUCTION	01-0043
582882D1 - SCR PARTS ASSEMBLY - 16.8 L ENGINE	01-0044
593460D1 - DEF TANK ASSEMBLY - DEF SEE SERVICE BULLETIN SB15-0134 APPLIES TO ALL E-SERIES TIER 4 FINAL TRACTORS WITH POLY DEF TANK. PRIOR TO C0845TFNHG1018 PRIOR TO C0855AFNKG1023 PRIOR TO C0865JFNKA1109 PRIOR TO C0875HFNLG1061 ALL MODEL YEAR MT955E, MT965E AND MT975E	01-0045
564088D1 - DEF TANK GROUP - MT900E	01-0046
579102D1 - DIESEL EXHAUST FLUID TANK GROUP	01-0047
589922D1 - DIESEL EXHAUST FLUID TANK GROUP - 2017 2017	01-0048
589924D1 - DIESEL EXHAUST FLUID TANK GROUP - 2017 2017	01-0049
585380D1 - DIESEL EXHAUST FLUID LINES - 2016	01-0050
585380D1 - DIESEL EXHAUST FLUID LINES - 2016	01-0051
589921D1 - DIESEL EXHAUST FLUID LINES - 2017 2017	01-0052
589921D1 - DIESEL EXHAUST FLUID LINES - 2017 2017	01-0053
589921D2 - DIESEL EXHAUST FLUID LINES - 2017 2017 ROW	01-0054
589921D2 - DIESEL EXHAUST FLUID LINES - 2017 2017 ROW	01-0055
567633D1 - CAPS INSTALLATION, LESS REGULATED COUNTRIES	01-0056
567633D1 - CAPS INSTALLATION, LESS REGULATED COUNTRIES	01-0057
568396D1 - PLUG INSTALLATION, LESS REGULATED COUNTRIES - EMISSIONS ARRANGEMENT	01-0058
570272D1 - WATER JACKET HEATER GROUP, 120 VOLT	01-0059
553745D1 - WATER JACKET HEATER GROUP, 240 VOLT	01-0060
553127D1 - COUPLING GROUP, ENGINE DRIVE COUPLER	01-0061

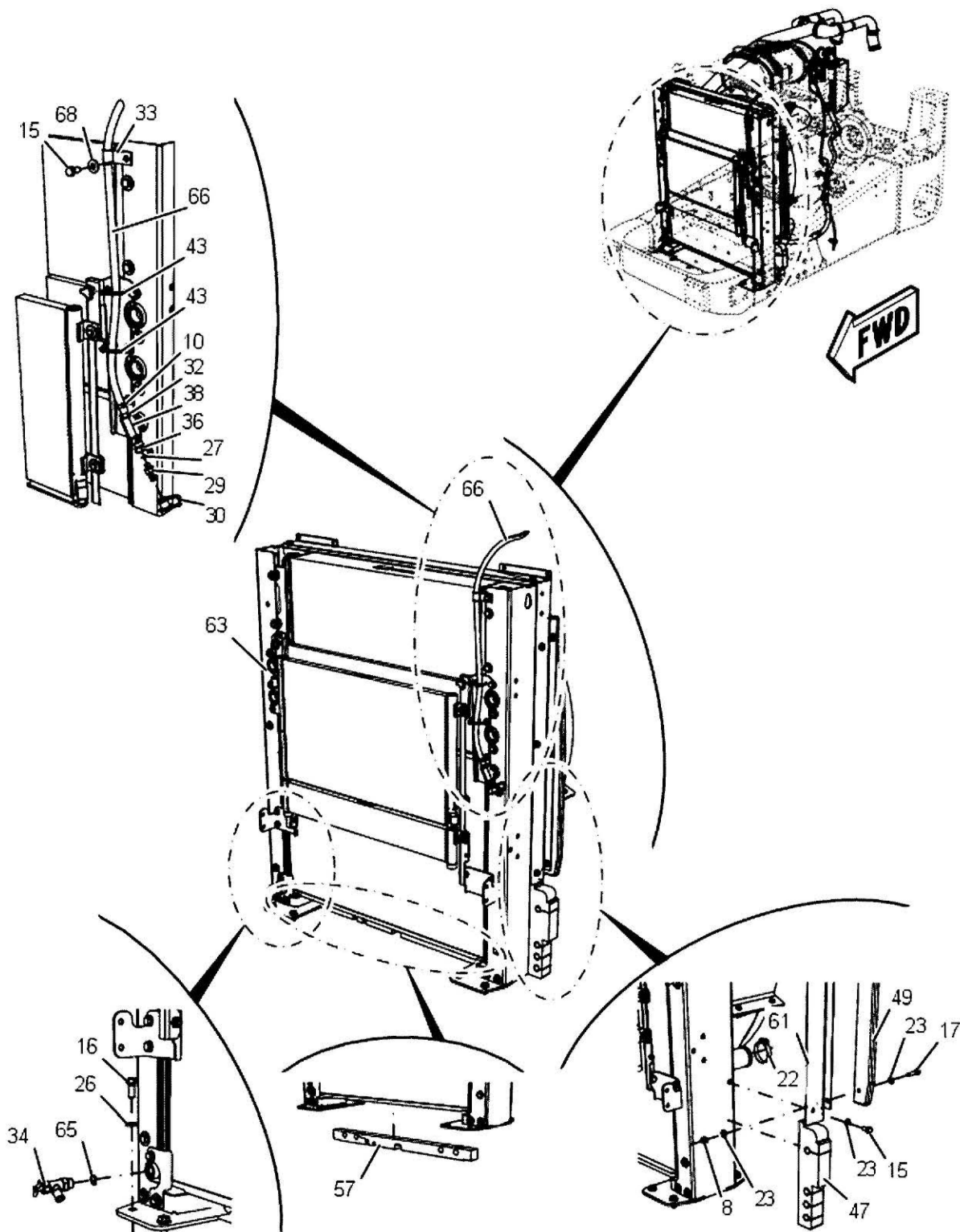
MT900E



1952252 - FILTER AND BELT GUIDE FOR MT900E - MT900E

ITEM	PART NUMBER	QTY	DESCRIPTION COMMENTS	TECHNICAL SPECIFICATION
1	V837079423	1	DEF FILTER DIESEL EXHAUST FLUID FILTER	
2	570072D1	1	AIR FILTER CAB AIR INTAKE FILTER	65.4MM X 739.9MM
3	501241D1	1	AIR FILTER ELEMENT OPTIONAL CAB AIR INTAKE FILTER	CARBON
4	501153D1	1	AIR FILTER CAB AIR RECIRCULATION	
5	565825D1	1	AIR FILTER ELEMENT PRIMARY ENGINE AIR INTAKE FILTER	
6	565824D1	1	AIR FILTER ELEMENT SECONDARY ENGINE INTAKE FILTER	
7	V837081555	1	ENGINE OIL FILTER FOR ENGINE	
8	V837079848	1	FUEL FILTER KIT AVAILABLE AS KIT ONLY	
9	575045D1	1	FILTER ELEMENT FUEL WATER SEPARATOR FILTER	60 MICRON
10	500143D1	1	FILTER KIT FUEL TANK CAP FILTER	
11	V837081675	1	CCV FILTER CRANKCASE VENTILATION FILTER	
12	513355D1	1	FILTER ELEMENT HYDRAULIC BRAKE	
13	534039D1	1	FILTER ELEMENT TRANSMISSION FILTERS	
14	534039D1	2	FILTER ELEMENT IMPLEMENT HYDRAULIC FILTER GROUP	
15	AG609431	1	OIL FILTER ELEMENT AXLE LUBE FILTER KIT	
16	578629D1	1	FAN BELT FAN AND AIR CONDITIONER BELT TIER 4 ENGINE: MT955E, MT965E LESS REGULATED COUNTRIES ENGINES: MT965E	1760MM 12PK
17	578628D1	1	FAN BELT FAN AND AIR CONDITIONER BELT TIER 4 ENGINES: MT875E	1747MM 12PK
18	565812D1	1	BELT ALTERNATOR BELT FOR ALL ENGINES	1917MM 8PK

574605D1-7-01



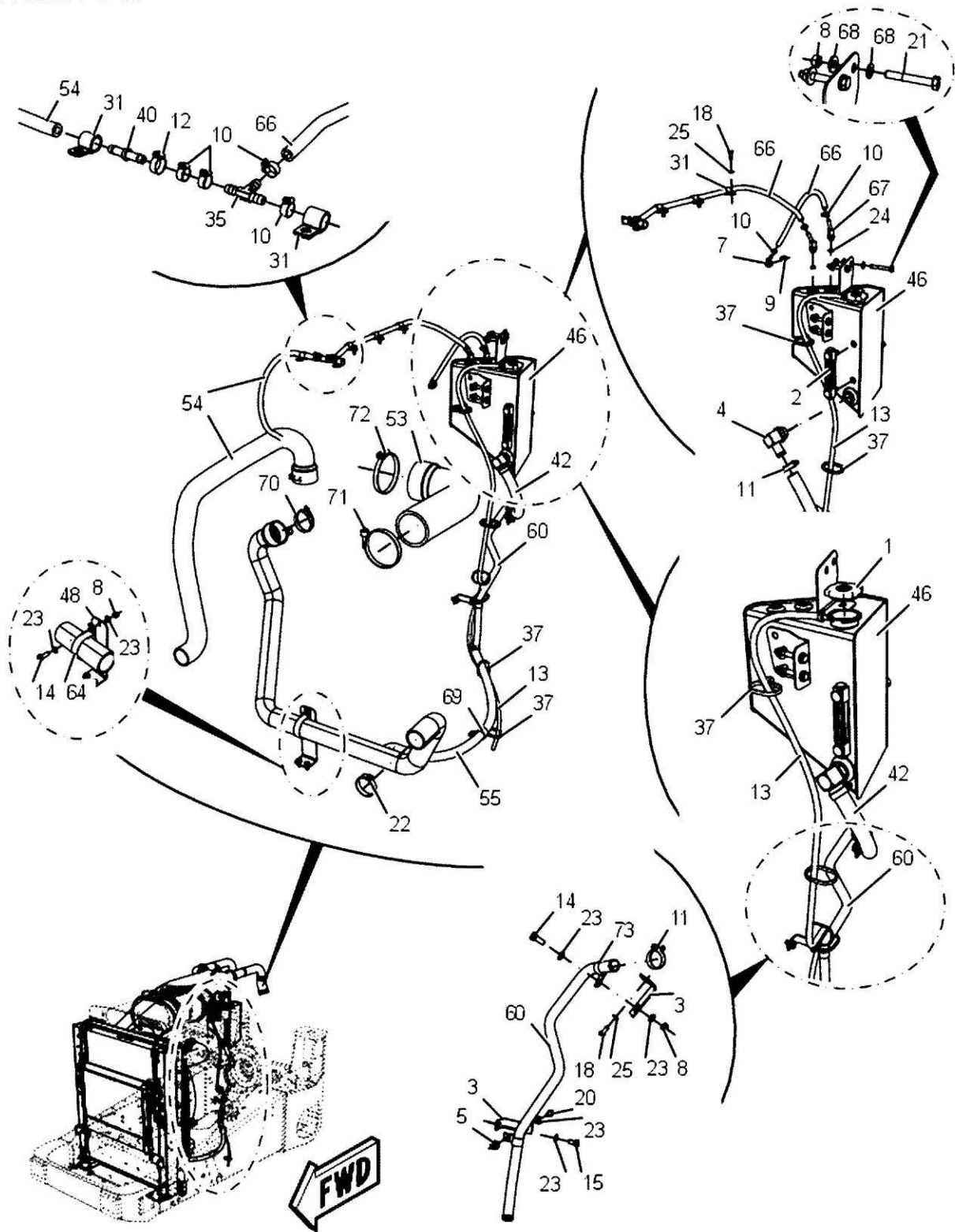
574605D1 - COOLING GROUP

ITEM	PART NUMBER	QTY	DESCRIPTION COMMENTS	TECHNICAL SPECIFICATION
8	7774664	14	HEX NUT	M10 X 1.5
10	AG561025	9	HOSE CLAMP	8MM-17MM, MINI
15	400040X1	11	HEXAGONAL HEAD BOLT	M10 X 1.5 X 20MM, CL10.9
16	400041X1	8	HEXAGONAL HEAD BOLT	M12 X 1.75 X 30MM, CL10.9
17	400049X1	6	HEXAGONAL HEAD BOLT	M10 X 1.5 X 45MM, CL10.9
22	400126X1	2	HOSE CLAMP	57-79MM RANGE
23	400287X1	41	FLAT WASHER	11MM X 21MM X 2.5MM
26	400357X1	8	FLAT WASHER	M12 X 25.5 X 3MM
27	400361X1	1	O-RING	8.92MM ID X 1.83MM
29	400653X1	1	VALVE FLUID SAMPLING	
30	400655X1	1	DUST CAP	
32	400944X1	1	ADAPTER FITTING BEADLOCK	1/2" MSTOR X 3/8" BARB
	CH3K-0360	1	O-RING	16.36MM ID X 2.21MM
33	401036X1	1	CLIP	
34	401347X1	1	NEEDLE VALVE	
36	402248X1	1	ADAPTER REDUCER	3/4" -16 X 7/16" -20 STOR
	CH3K-0360	1	O-RING	16.36MM ID X 2.21MM
38	402804X1	1	TEE FITTING	2X3/4-16 STORF X 3/4-16 STORM
	CH3K-0360	1	O-RING	16.36MM ID X 2.21MM
43	543965D1	2	CABLE TIE MOUNT	6.3"
47	568528D1	2	BAFFLE	
49	571984D1	2	HOOD SEAL	
57	574606D1	1	BOTTOM BAFFLE	
61	575048D1	1	BRACKET	
63	NS	1	NON-SERVICEABLE PART SEE PAGE 01-0008	
65	CH3K-0360	1	O-RING	16.36MM ID X 2.21MM
66	CH5P-1442	-	BULK HIGH TEMPERATUR HOSE BULK: 2715 MM	9.52MM ID
68	CH7X-7729	13	FLAT WASHER	11MM X 25MM X 3MM

574605D1 - COOLING GROUP

ITEM	PART NUMBER	QTY	DESCRIPTION COMMENTS	TECHNICAL SPECIFICATION
6	AG129637	1	P-CLIP	4"
8	7774664	14	HEX NUT	M10 X 1.5
14	400039X1	14	HEXAGONAL HEAD BOLT	M10 X 1.5 X 25MM, CL10.9
15	400040X1	11	HEXAGONAL HEAD BOLT	M10 X 1.5 X 20MM, CL10.9
19	400054X1	2	HEXAGONAL HEAD BOLT	M10 X 1.5 X 16MM, CL10.9
23	400287X1	41	FLAT WASHER	11MM X 21MM X 2.5MM
39	402847X1	2	P-CLIP	74.6MM ID
41	501021D1	2	T-BOLT CLAMP	104.9MM-112.8MM ID X 19MM
44	555544D1	1	HOSE	102MM ID X 171MM
45	563387D1	2	TUBE	
50	571985D1	1	HOOD BRACKET	
51	573466D1	1	SHROUD	
52	573468D1	1	COOLANT TUBE	
54	573470D1	1	RADIATOR HOSE	
55	573471D1	1	RADIATOR HOSE	
56	574601D1	1	HOSE BRACKET	
58	574608D1	2	CHARGE AIR ELBOW	
59	574609D1	2	CHARGE AIR ELBOW	
61	575048D1	1	BRACKET	
62	575049D1	1	BRACKET	
64	CH184-5394	2	P-CLIP	77.8 MM ID
70	CH8T-4985	8	HOSE CLAMP	83MM - 105MM ID
71	CH8T-4986	3	HOSE CLAMP	APPX. 119MM ID

574605D1-7-03

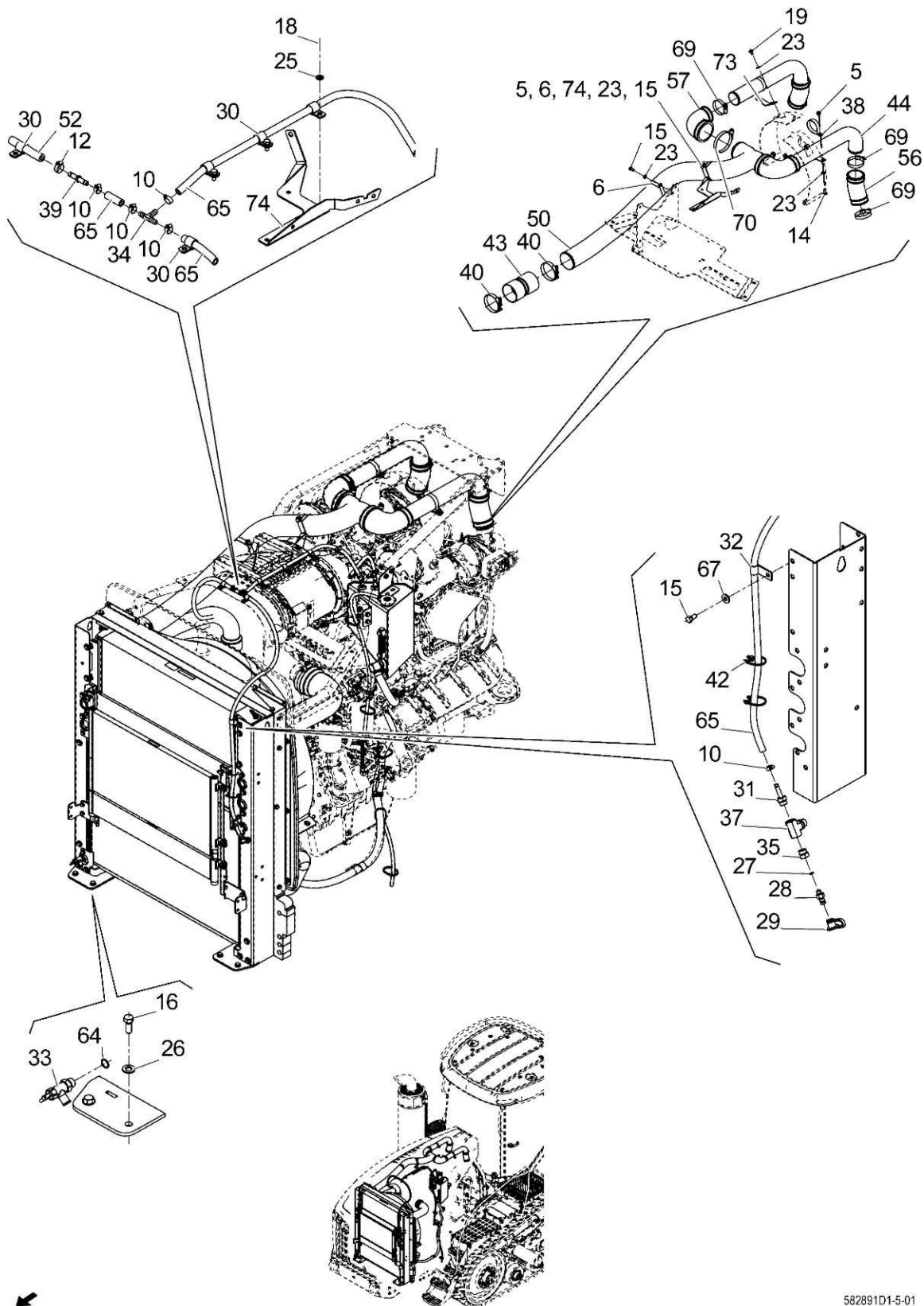


574605D1 - COOLING GROUP

ITEM	PART NUMBER	QTY	DESCRIPTION COMMENTS	TECHNICAL SPECIFICATION
1	031-1119	1	CAP	
2	201-4653	1	SIGHT GAUGE	
	CH114-4231	2	HEXAGONAL HEAD BOLT	1/2"-20
	CH122-8352	4	O-RING SEAL	15.54 X 2.62
3	215-8051	2	BRACKET	
4	WR25083	1	ELBOW FITTING	1" STOR X 1" OD, 90D
	400376X1	1	O-RING	29.74MM ID X 2.95MM
5	WR55289	1	HEX FLANGE NUT	M10 X 1.5, CL10
7	AG520426	1	BARBED ELBOW FITTING	9/16"-18 X BARB
8	7774664	14	HEX NUT	M10 X 1.5
9	AG560693	1	ADAPTER FITTING	3/8" M-OR X 3/8" M JIC
10	AG561025	9	HOSE CLAMP	8MM-17MM, MINI
11	CH7X-7958	3	HOSE CLAMP	44MM ID
12	AG561366	1	HOSE CLAMP	1/4" TO 7/8", NARROW
13	6577822	8.7	HOSE	5/16"
14	400039X1	16	HEXAGONAL HEAD BOLT	M10 X 1.5 X 25MM, CL10.9
15	400040X1	11	HEXAGONAL HEAD BOLT	M10 X 1.5 X 20MM, CL10.9
18	400053X1	4	HEXAGONAL HEAD BOLT	M8 X 1.25 X 20MM, CL10.9
20	400058X1	3	HEXAGONAL HEAD BOLT	M10 X 1.5 X 30MM
21	400066X1	4	HEXAGONAL HEAD BOLT	M10 X 1.5 X 70MM, CL10.9
22	400126X1	2	HOSE CLAMP	57-79MM RANGE
23	400287X1	41	FLAT WASHER	11MM X 21MM X 2.5MM
24	400318X1	2	O-RING	11.89MM ID X 1.98MM
25	400339X1	4	FLAT WASHER	9MM X 16MM X 2MM
31	400702X1	5	P-CLIP	15.8MM ID
35	401882X1	1	BARBED CONNECTOR	9.52 OD, TEE
37	402294X1	6	CABLE TIE	390MM X 7.6MM
40	403006X1	1	ORIFICE FITTING	1.59MM STR HB
42	598008D1	-	BULK HOSE BULK:310 MM	25.4MM,E-Z FORM
46	565997D2	1	EXPANSION TANK	
48	571348D1	1	HOSE BRACKET	
53	573469D2	1	AIR COOLER HOSE	101.6MM
54	573470D1	1	RADIATOR HOSE	
55	573471D1	1	RADIATOR HOSE	
60	575046D2	1	FUEL LINE	25.4MM
64	CH184-5394	2	P-CLIP	77.8 MM ID
66	CH5P-1442	-	BULK HIGH TEMPERATUR HOSE BULK: 2715 MM	9.52MM ID
67	CH7X-1448	2	ELBOW FITTING	-6 STOR X 9.52MM BARB, 45D
68	CH7X-7729	13	FLAT WASHER	11MM X 25MM X 3MM
69	CH8C-8533	1	CLIP	34.93MM ID
70	CH8T-4985	8	HOSE CLAMP	83MM - 105MM ID
71	CH8T-4986	3	HOSE CLAMP	APPX. 119MM ID
72	CH8T-4987	1	CLAMP	APPX. 144MM ID
73	CH9X-8250	2	P-CLIP	23.81MM ID X 19MM

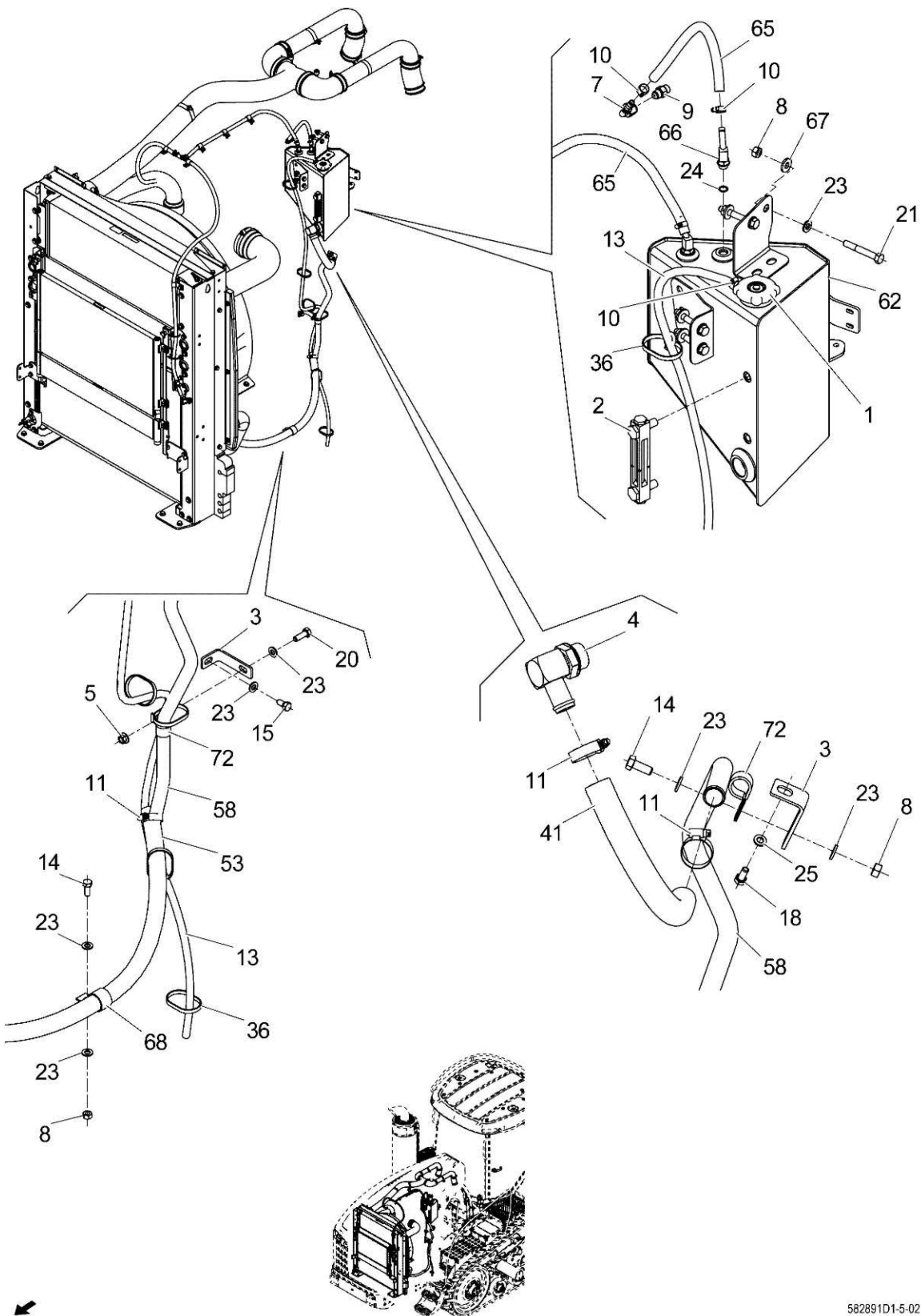
01-0004

ENGINE, FUEL AND EXHAUST SYSTEM



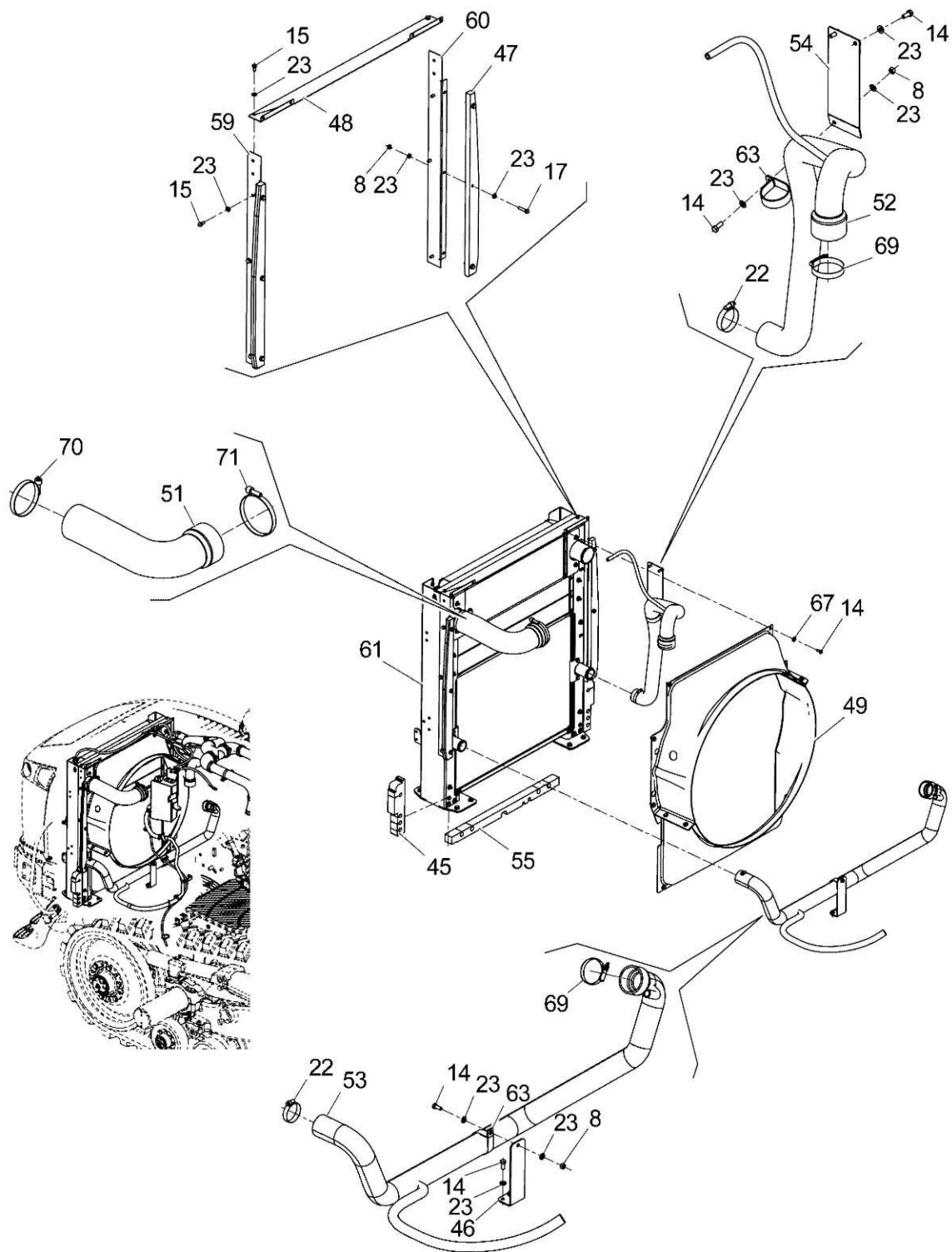
582891D1-5-01

ITEM	PART NUMBER	QTY	DESCRIPTION COMMENTS	TECHNICAL SPECIFICATION
5	WR55289	4	HEX FLANGE NUT	M10 X 1.5, CL10
6	AG129637	1	P-CLIP	4"
10	AG561025	9	HOSE CLAMP	8MM-17MM, MINI
12	AG561366	1	HOSE CLAMP	1/4" TO 7/8", NARROW
14	400040X1	12	HEXAGONAL HEAD BOLT	M10 X 1.5 X 20MM, CL10.9
15	400040X1	11	HEXAGONAL HEAD BOLT	M10 X 1.5 X 20MM, CL10.9
16	400041X1	8	HEXAGONAL HEAD BOLT	M12 X 1.75 X 30MM, CL10.9
18	400053X1	4	HEXAGONAL HEAD BOLT	M8 X 1.25 X 20MM, CL10.9
19	400054X1	2	HEXAGONAL HEAD BOLT	M10 X 1.5 X 16MM, CL10.9
23	400287X1	41	FLAT WASHER	11MM X 21MM X 2.5MM
25	400339X1	4	FLAT WASHER	9MM X 16MM X 2MM
26	400357X1	8	FLAT WASHER	M12 X 25.5 X 3MM
27	400361X1	1	O-RING	8.92MM ID X 1.83MM
28	400653X1	1	VALVE	
29	400655X1	1	DUST CAP	
30	400702X1	5	P-CLIP	15.8MM ID
31	400944X1	1	ADAPTER FITTING	1/2" MSTOR X 3/8" BARB
	CH3K-0360	1	O-RING	16.36MM ID X 2.21MM
32	401036X1	1	CLIP	
33	401347X1	1	NEEDLE VALVE	
34	401882X1	1	BARBED CONNECTOR	9.52 OD, TEE
35	402248X1	1	ADAPTER	3/4" -16 X 7/16" -20 STOR
	CH3K-0360	1	O-RING	16.36MM ID X 2.21MM
37	402804X1	1	TEE FITTING	2X3/4-16 STORF X 3/4-16 STORM
	CH3K-0360	1	O-RING	16.36MM ID X 2.21MM
38	402847X1	2	P-CLIP	74.6MM ID
39	403006X1	1	ORIFICE FITTING	1.59MM STR HB
40	501021D1	2	T-BOLT CLAMP	104.9MM-112.8MM ID X 19MM
42	543965D1	2	CABLE TIE MOUNT	6.3"
43	555544D1	1	HOSE	102MM ID X 171MM
44	563387D1	2	TUBE	
50	573468D1	1	COOLANT TUBE	
52	573470D1	1	RADIATOR HOSE	
56	574608D1	2	CHARGE AIR ELBOW	
57	574609D1	2	CHARGE AIR ELBOW	
64	CH3K-0360	1	O-RING	16.36MM ID X 2.21MM
65	CH5P-1442	-	BULK HIGH TEMPERATUR HOSE BULK: 2715 MM	9.52MM ID
67	CH7X-7729	13	FLAT WASHER	11MM X 25MM X 3MM
69	CH8T-4985	8	HOSE CLAMP	83MM - 105MM ID
70	CH8T-4986	3	HOSE CLAMP	APPX. 119MM ID
73	593458D1	2	SUPPORT BRACKET	
74	596925D2	1	SUPPORT BRACKET	



582891D1-5-02

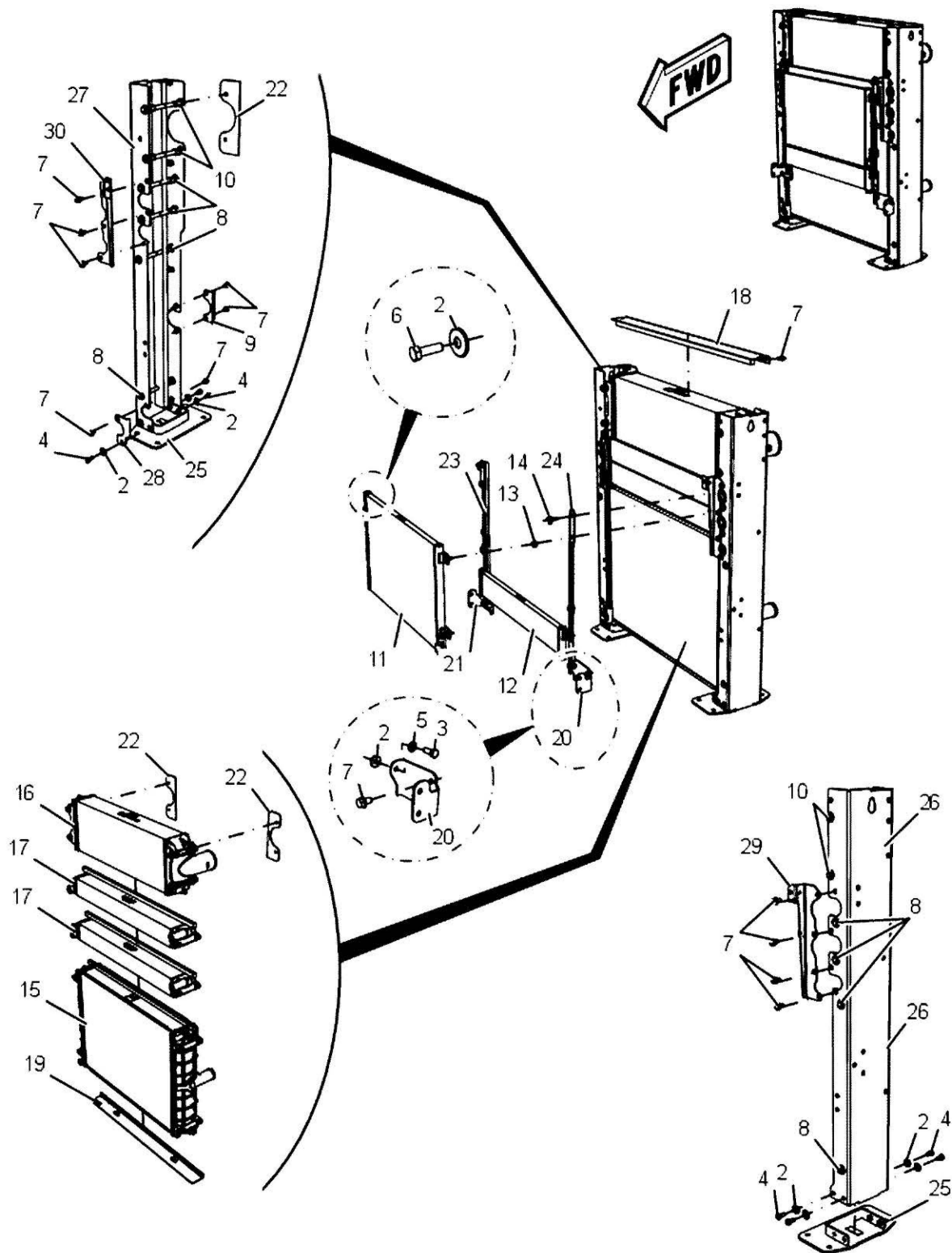
ITEM	PART NUMBER	QTY	DESCRIPTION COMMENTS	TECHNICAL SPECIFICATION
1	031-1119	1	CAP	
2	201-4653	1	SIGHT GAUGE	
3	215-8051	2	BRACKET	
4	WR25083	1	ELBOW FITTING	1" STOR X 1" OD, 90D
	400376X1	1	O-RING	29.74MM ID X 2.95MM
5	WR55289	1	HEX FLANGE NUT	M10 X 1.5, CL10
7	AG520426	1	BARBED ELBOW FITTING	9/16"-18 X BARB
8	7774664	14	HEX NUT	M10 X 1.5
9	AG560693	1	ADAPTER FITTING	3/8" M-OR X 3/8" M JIC
10	AG561025	9	HOSE CLAMP	8MM-17MM, MINI
11	CH7X-7958	3	HOSE CLAMP	44MM ID
13	6577822	-	HOSE BULK: 2150	5/16"
14	400039X1	16	HEXAGONAL HEAD BOLT	M10 X 1.5 X 25MM, CL10.9
15	400040X1	11	HEXAGONAL HEAD BOLT	M10 X 1.5 X 20MM, CL10.9
18	400053X1	4	HEXAGONAL HEAD BOLT	M8 X 1.25 X 20MM, CL10.9
20	400058X1	3	HEXAGONAL HEAD BOLT	M10 X 1.5 X 30MM
21	400066X1	4	HEXAGONAL HEAD BOLT	M10 X 1.5 X 70MM, CL10.9
23	400287X1	41	FLAT WASHER	11MM X 21MM X 2.5MM
24	400318X1	2	O-RING	11.89MM ID X 1.98MM
25	400339X1	4	FLAT WASHER	9MM X 16MM X 2MM
36	402294X1	6	CABLE TIE	390MM X 7.6MM
41	598008D1	-	BULK HOSE BULK: 310 MM	25.4MM,E-Z FORM
53	573471D1	1	RADIATOR HOSE	
58	575046D2	1	FUEL LINE	25.4MM
62	583982D1	1	EXPANSION TANK	
65	CH5P-1442	-	BULK HIGH TEMPERATUR HOSE BULK: 2715 MM	9.52MM ID
66	CH7X-1448	2	ELBOW FITTING	-6 STOR X 9.52MM BARB, 45D
67	CH7X-7729	13	FLAT WASHER	11MM X 25MM X 3MM
68	CH8C-8533	1	CLIP	34.93MM ID
72	CH9X-8250	2	P-CLIP	23.81MM ID X 19MM



582891D1-5-03

ITEM	PART NUMBER	QTY	DESCRIPTION COMMENTS	TECHNICAL SPECIFICATION
8	7774664	14	HEX NUT	M10 X 1.5
14	400039X1	14	HEXAGONAL HEAD BOLT	M10 X 1.5 X 25MM, CL10.9
15	400040X1	11	HEXAGONAL HEAD BOLT	M10 X 1.5 X 20MM, CL10.9
17	400049X1	6	HEXAGONAL HEAD BOLT	M10 X 1.5 X 45MM, CL10.9
22	400126X1	2	HOSE CLAMP	57-79MM RANGE
23	400287X1	41	FLAT WASHER	11MM X 21MM X 2.5MM
45	568528D1	2	BAFFLE	
46	571348D1	1	HOSE BRACKET	
47	571984D1	2	HOOD SEAL	
48	571985D1	1	HOOD BRACKET	
49	573466D1	1	SHROUD	
51	573469D2	1	AIR COOLER HOSE	101.6MM
52	573470D1	1	RADIATOR HOSE	
53	573471D1	1	RADIATOR HOSE	
54	574601D1	1	HOSE BRACKET	
55	574606D1	1	BOTTOM BAFFLE	
59	575048D1	1	BRACKET	
60	575049D1	1	BRACKET	
61	NS	1	NON-SERVICEABLE PART SEE PAGE 01-0008	
63	CH184-5394	2	P-CLIP	77.8 MM ID
67	CH7X-7729	13	FLAT WASHER	11MM X 25MM X 3MM
69	CH8T-4985	8	HOSE CLAMP	83MM - 105MM ID
70	CH8T-4986	3	HOSE CLAMP	APPX. 119MM ID
71	CH8T-4987	1	CLAMP	APPX. 144MM ID

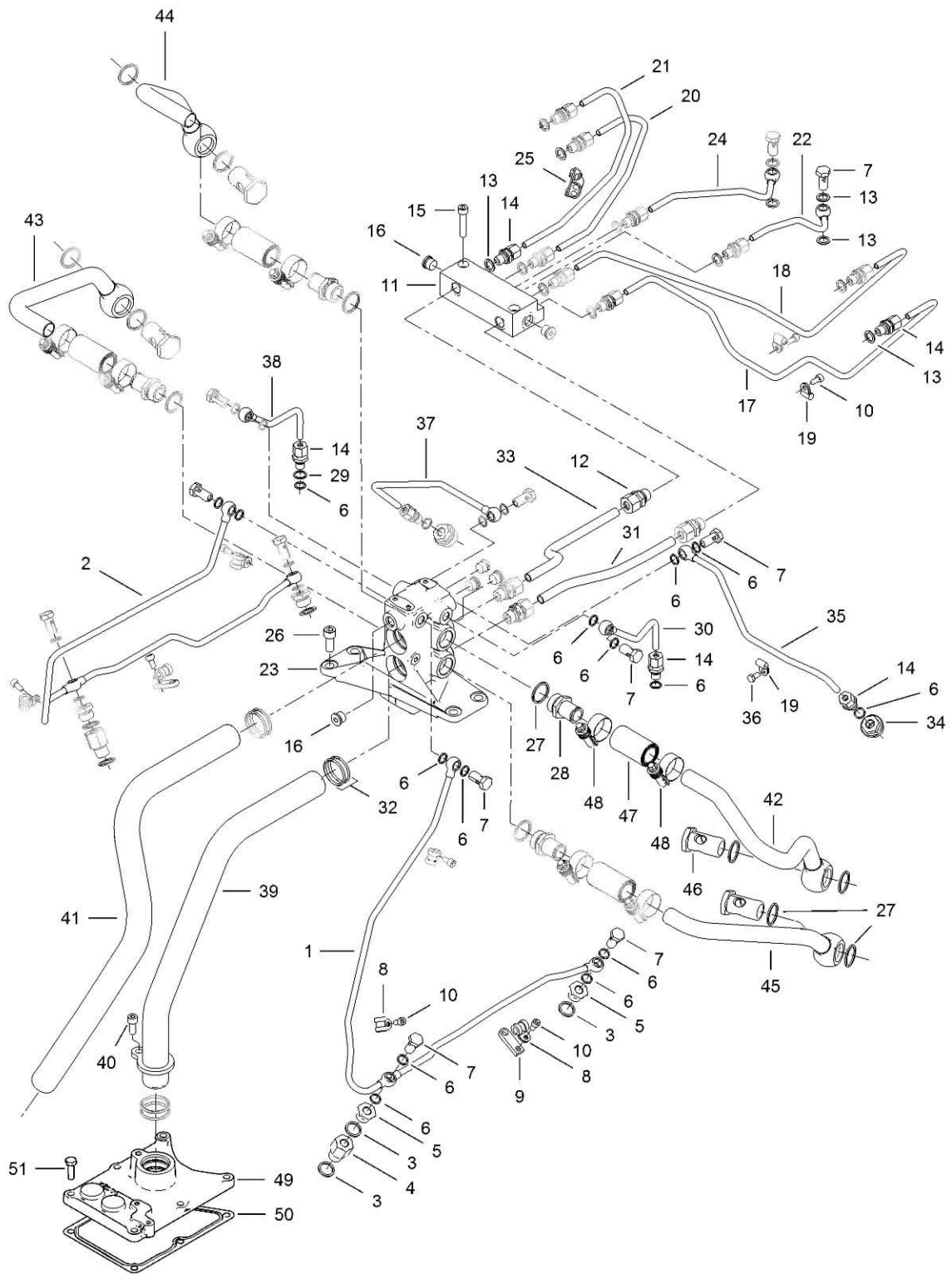
575050D1-2-01



575050D1 - COOLER ASSEMBLY

ITEM	PART NUMBER	QTY	DESCRIPTION COMMENTS	TECHNICAL SPECIFICATION
	AG512885	X	ADHESIVE SEALANT, BLUE	BLUE
2	390597X1	16	FLAT WASHER	M10 ZN
3	400039X1	2	HEXAGONAL HEAD BOLT	M10 X 1.5 X 25MM, CL10.9
4	400040X1	8	HEXAGONAL HEAD BOLT	M10 X 1.5 X 20MM, CL10.9
5	400287X1	2	FLAT WASHER	11MM X 21MM X 2.5MM
6	400341X1	6	HEXAGONAL HEAD BOLT	M8 X 1.25 X 25MM
7	402793X1	20	HEXAGON FLANGE BOLT	M10-1.5 X 17MM
8	564611D1	8	MOUNTING KIT	
9	572819D1	2	BRACE	
10	574251D1	4	MOUNTING KIT	
11	574253D1	1	CONDENSER COIL	
12	574254D1	1	FUEL COOLER	
13	574264D1	1	ISOLATOR KIT	9MM ID
14	574265D1	2	MOUNTING KIT	
15	574270D1	1	RADIATOR CORE	
	6661569		FOAM 7.2 FT	
16	574271D1	1	CHARGE AIR COOLER	
17	574272D1	2	OIL COOLER	
	6661569		FOAM 3.6 FT	
18	574275D1	1	BRACKET	
	6661569		FOAM 3.6 FT	
	400958X1	2	U-NUT	M10
19	574276D1	1	BRACKET	
	400958X1	2	U-NUT	M10
20	574279D1	1	PIVOT BRACKET, LEFT HAND	
21	574280D1	1	PIVOT BRACKET, RIGHT HAND	
22	574281D1	2	BRACE FRAME	
23	574282D1	1	BRACKET	
24	574283D1	1	BRACKET	
25	579202D1	2	SUPPORT BRACE	
26	579203D1	1	SUPPORT BRACKET, LEFT HAND	
	400958X1	2	U-NUT	M10
	583406D1	1	FOAM	
27	579204D1	1	SUPPORT BRACKET, RIGHT HAND	
	400958X1	2	U-NUT	M10
	583406D1	1	FOAM	
28	579205D1	1	RADIATOR BRACKET	
29	579206D1	1	BRACE, LEFT HAND	
30	579207D1	1	BRACE, RIGHT HAND	

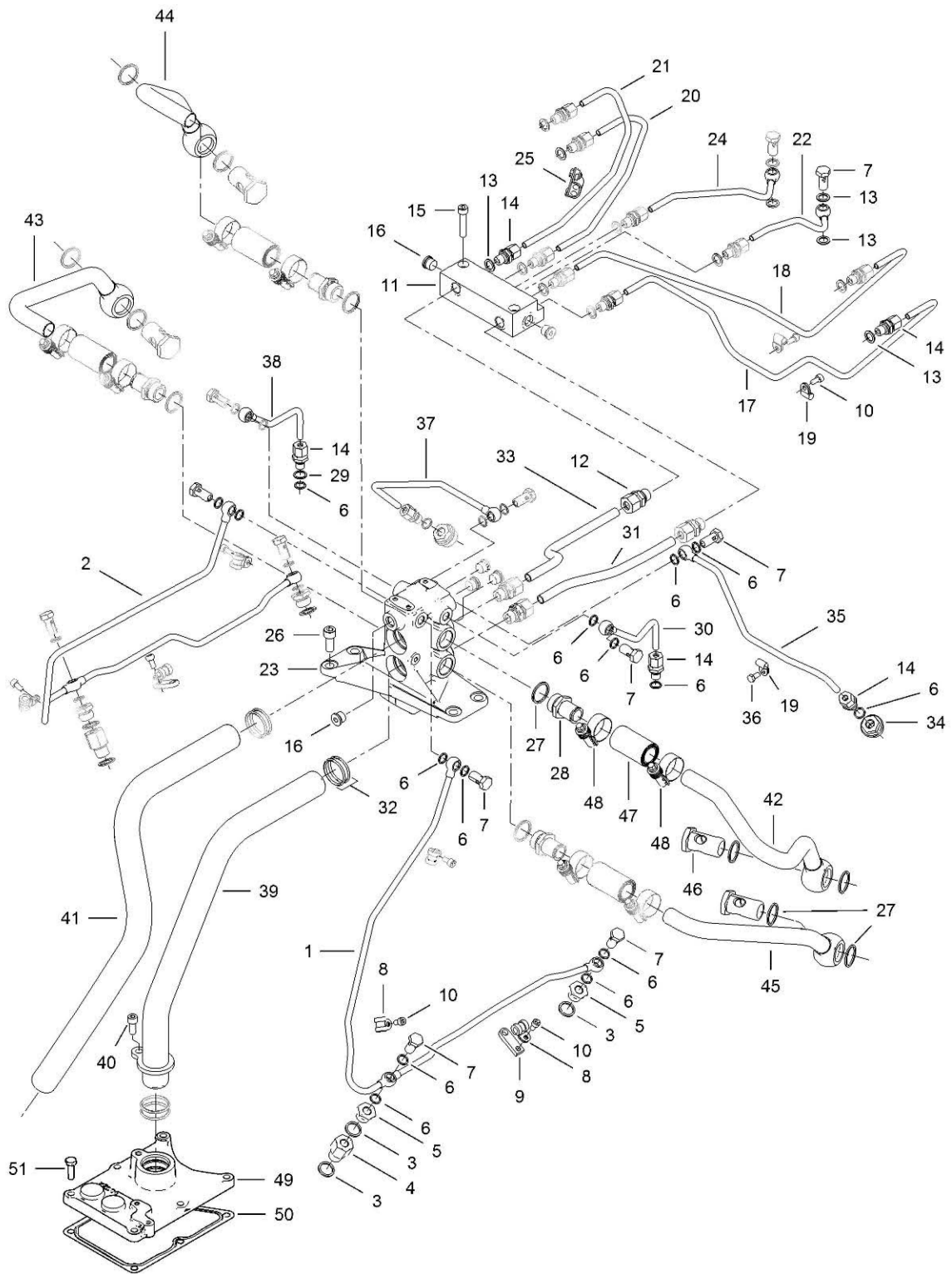
AP16H1014



AP16H1014 - COOLANT PIPING

ITEM	PART NUMBER	QTY	DESCRIPTION COMMENTS	TECHNICAL SPECIFICATION
1	V837088204	1	WATER PIPE	
2	V837088205	1	WATER PIPE	
3	V615881824	6	SEALING WASHER	
4	V836119766	2	FITTING	
5	V835338329	4	UNION	
6	V615881216	24	SEALING WASHER	
7	V640435008	12	BANJO BOLT	
8	V602074608	6	HOSE CLIP	
9	V837088104	2	SUPPORT	
10	V581804170	8	HEX SOCKET SCREW	
11	V837088171	1	HOUSING	
12	V641086012	2	STRAIGHT FITTING	
	V641086012	2	STRAIGHT FITTING	
13	V615881218	14	SEALING WASHER	
14	V641086008	14	STRAIGHT FITTING	
15	V581804650	2	HEX SOCKET SCREW	
16	V837088093	6	PLUG	
17	V837088189	1	WATER PIPE	
18	V837088190	1	WATER PIPE	
19	V602071608	3	HOSE CLIP	
20	V837088191	1	WATER PIPE	
21	V837088192	1	WATER PIPE	
22	V837088187	1	WATER PIPE	
23	V837088177	1	HOUSING	
24	V837088188	1	WATER PIPE	
25	V837073721	1	BAND	
26	V581805020	4	HEX SOCKET SCREW	
27	V615892631	12	SEALING WASHER	
28	V837084462	4	HOSE COUPLER	
29	V615881418	1	SEALING WASHER	
30	V837088193	1	WATER PIPE	
31	V837088185	1	WATER PIPE	
32	V614903530	6	O-RING	
33	V837088186	1	WATER PIPE	
34	V837088201	2	PLUG	
35	V837088183	1	WATER PIPE	
36	V528801052	1	HEX CAP SCREW	
37	V837088184	1	WATER PIPE	
38	V837088194	1	WATER PIPE	
39	V837088202	1	WATER PIPE	
40	V581804600	1	HEX SOCKET SCREW	
41	V837088203	1	WATER PIPE	
42	V837088180	1	WATER PIPE	
43	V837088181	1	WATER PIPE	
44	V837088182	1	WATER PIPE	

AP16H1014

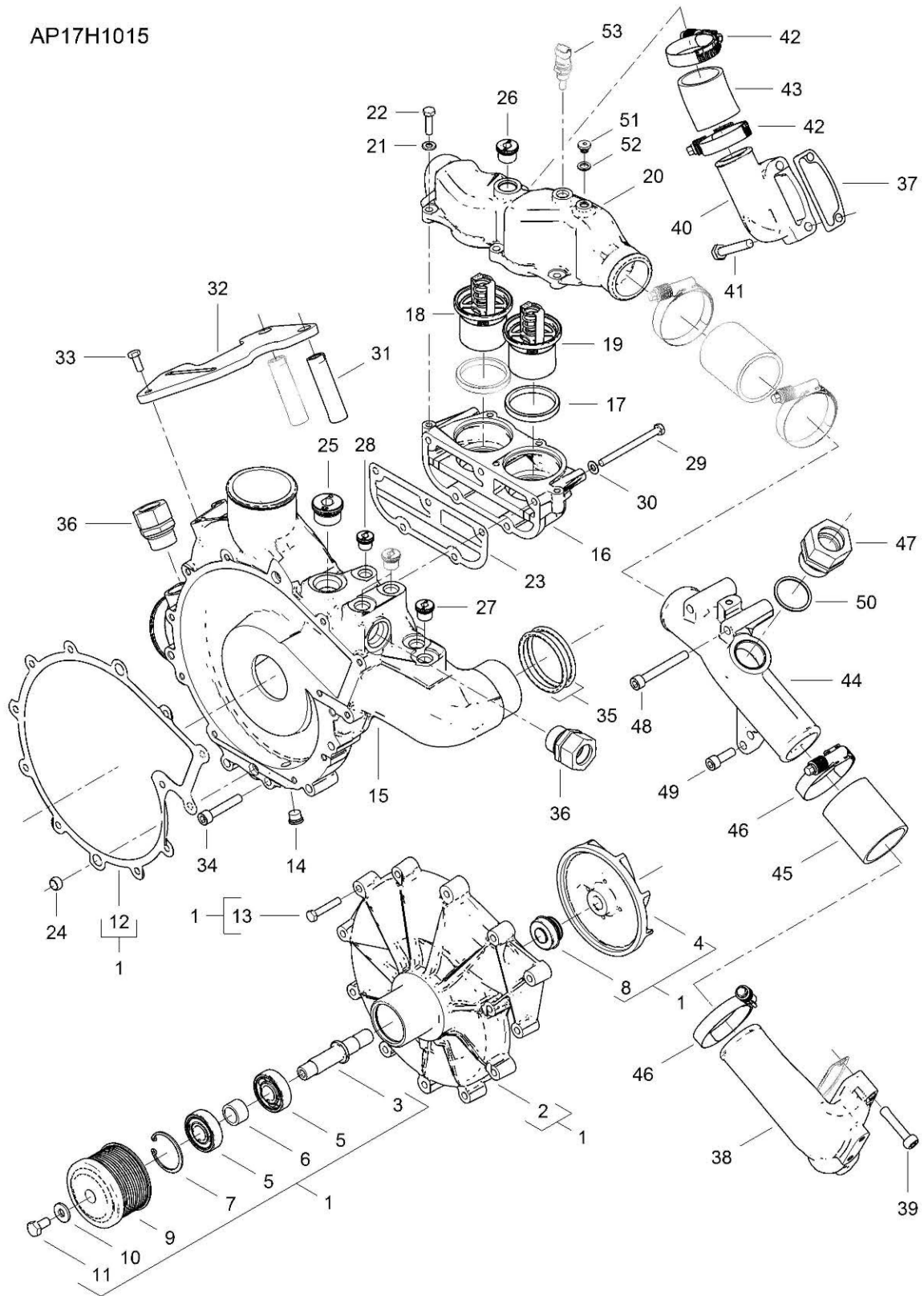


AP16H1014 - COOLANT PIPING

ITEM	PART NUMBER	QTY	DESCRIPTION COMMENTS	TECHNICAL SPECIFICATION
45	V837088179	1	WATER PIPE	
46	V640435022	4	BANJO BOLT	
47	V837084035	4	RUBBER HOSE	
48	V602084722	8	HOSE CLIP	
49	V837088322	1	COVER	
50	V837081755	1	GASKET	
51	V528801412	6	HEX CAP SCREW	

AP17H1015 - COOLANT PUMP AND THERMOSTAT

AP17H1015



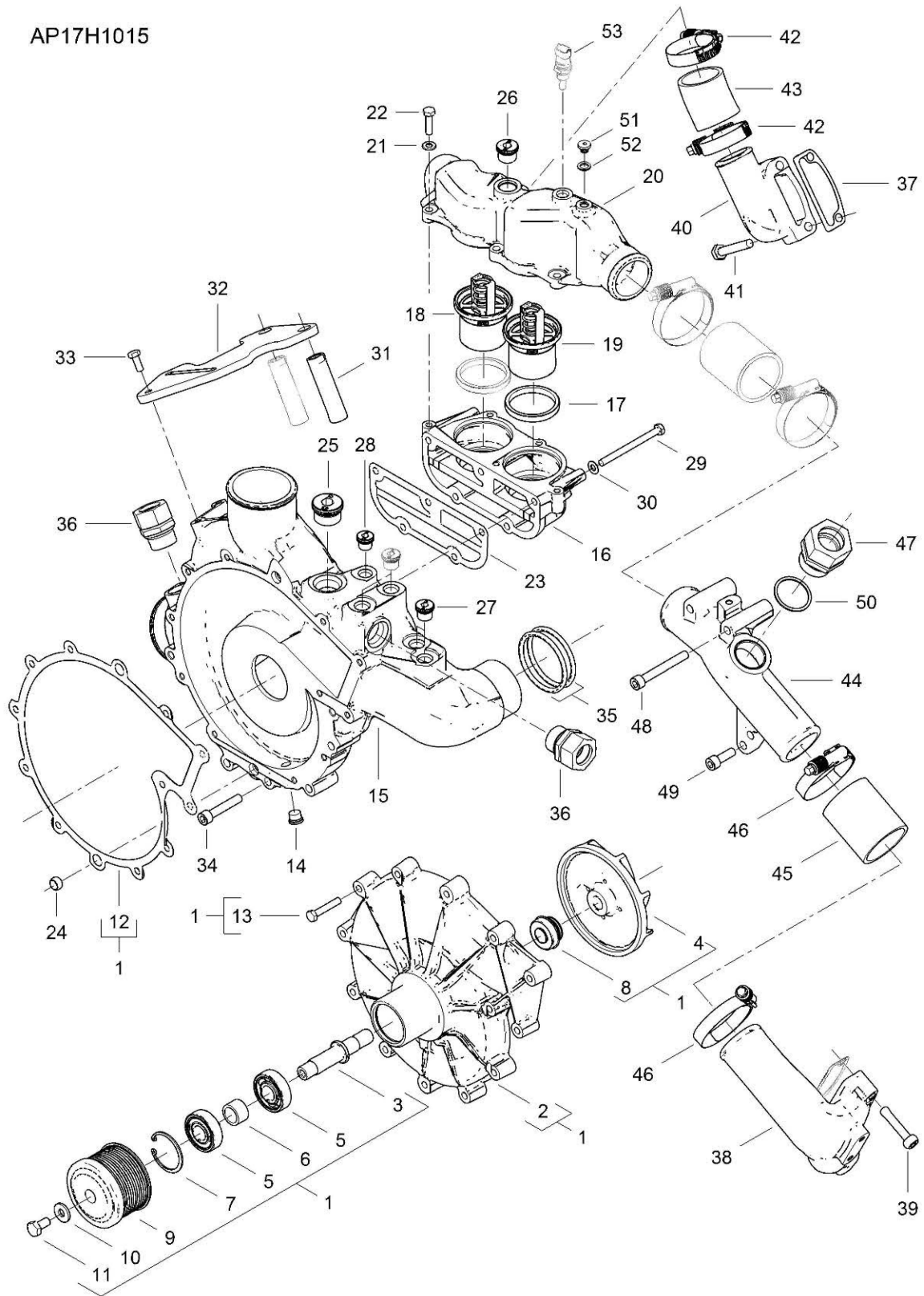
AP17H1015 - COOLANT PUMP AND THERMOSTAT

ITEM	PART NUMBER	QTY	DESCRIPTION COMMENTS	TECHNICAL SPECIFICATION
1	V837079934	1	KIT,WATER PUMP	
2		1	NOT AVAILABLE AS SINGLE PART [A]	
3		1	NOT AVAILABLE AS SINGLE PART [A]	
4		1	NOT AVAILABLE AS SINGLE PART [A]	
5	V610063044	2	BALL BEARING [A]	
6	V837081781	1	SLEEVE [A]	
7	V617330052	1	LOCK RING [A]	
8	V836859452	1	WATER PUMP CARTRIDGE GASKET [A]	
9	V837088295	1	WATER PUMP MULTI-RIBBED PULLEY [A]	
10	V836122910	1	WASHER [A]	
11	V528801780	1	HEX CAP SCREW [A]	
12	V837081712	1	GASKET [A]	
13	V529801440	13	HEX CAP SCREW [A]	
14	V837088093	1	PLUG	
15	V837081768	1	HOUSING	
16	V837081770	1	THERMOSTAT HOUSING	
17	V837081714	2	GASKET	
18	V837081703	1	THERMOSTAT	
19	V837081716	1	THERMOSTAT	
20	V837081771	1	COVER	
21	V500150842	5	WASHER	
22	V528801410	5	HEX CAP SCREW	
23	V837081713	1	GASKET	
24	V836659527	2	GUIDE SLEEVE	
25	V640155133	1	PLUG	
26	V640155122	1	PLUG	
27	V640155118	5	PLUG	
28	V640155116	1	PLUG	
29	V529801440	5	HEX CAP SCREW	
30	V500150842	5	WASHER	
31	V836867567	2	LIFTING EYE EXTENSION	
32	V837081715	1	BRACKET	
33	V528801382	3	HEX CAP SCREW	
34	V581705080	2	HEX SOCKET SCREW	
35	V614907157	2	O-RING	

[A] INCLUDED IN ITEM 1

AP17H1015 - COOLANT PUMP AND THERMOSTAT

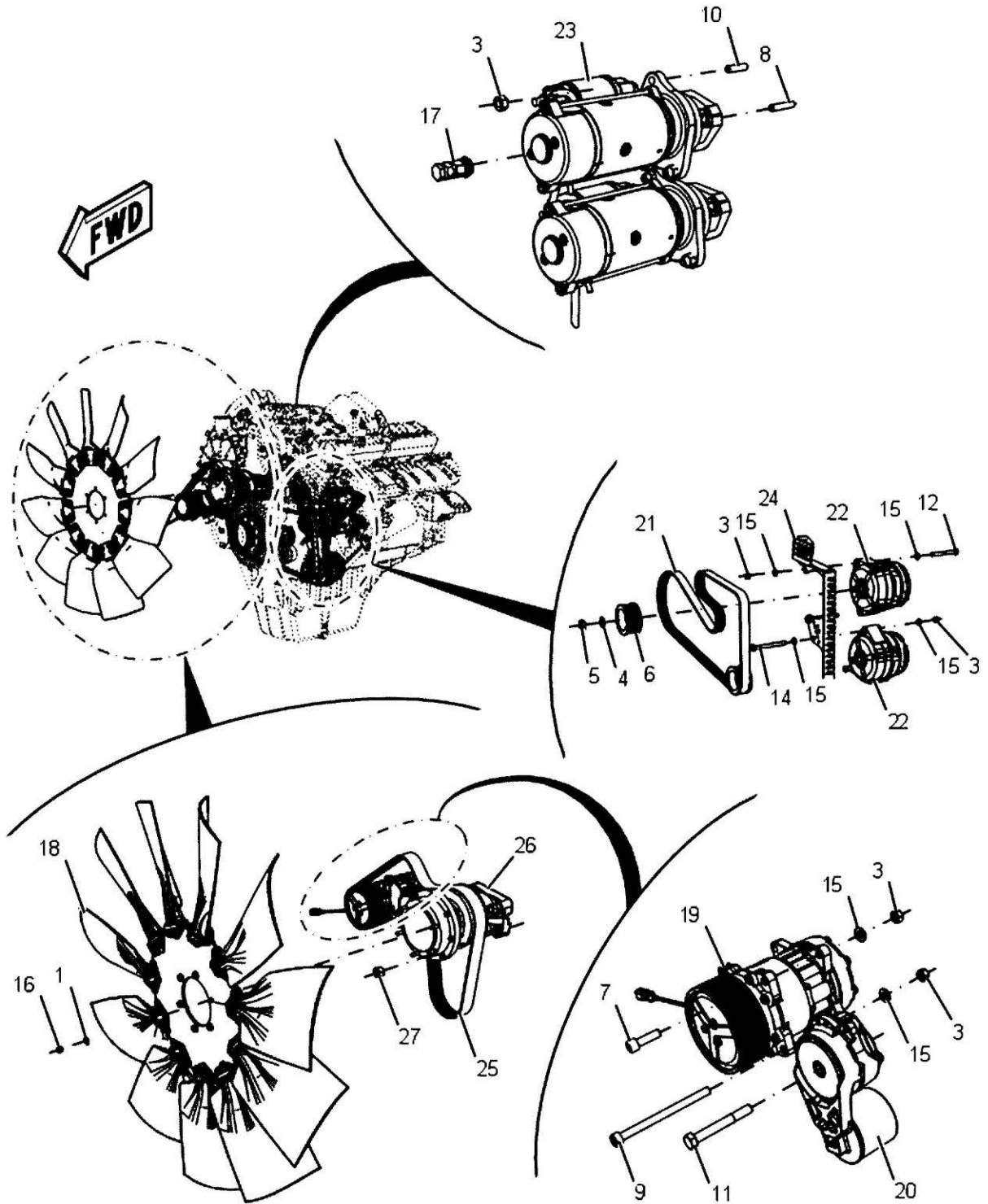
AP17H1015



AP17H1015 - COOLANT PUMP AND THERMOSTAT

ITEM	PART NUMBER	QTY	DESCRIPTION COMMENTS	TECHNICAL SPECIFICATION
36	V642016028	2	STRAIGHT FITTING	
37	V836867753	2	GASKET	
38	V837081658	1	RETURN PIPE	
39	V581705070	2	HEX SOCKET SCREW	
40	V837081659	1	RETURN PIPE	
41	V529701880	2	HEX CAP SCREW	
42	V602084745	2	HOSE CLIP	
43	V837088072	1	AIR PIPE	
44	V837081937	1	WATER PIPE	
45	V837088071	2	AIR PIPE	
46	V602084757	4	HOSE CLIP	
47	V641086035	1	STRAIGHT FITTING	
48	V581805130	2	HEX SOCKET SCREW	
49	V581805032	2	HEX SOCKET SCREW	
50	V615894249	1	SEALING WASHER	
51	V640325110	1	PLUG	
52	V615871014	1	SEALING WASHER	
53		1	SEE PAGE 01-0027	
			[A] INCLUDED IN ITEM 1	

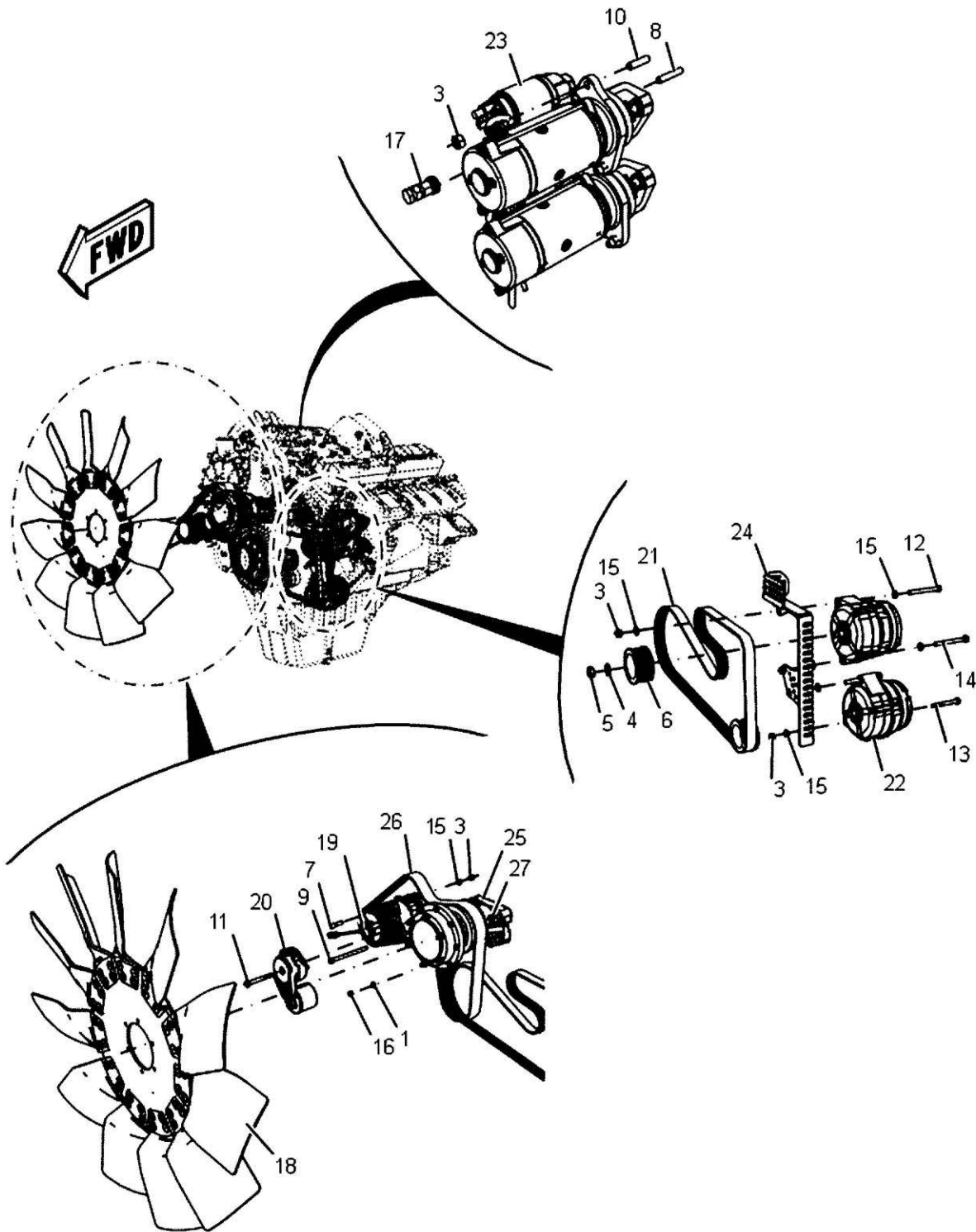
580888D1-3-01



580888D1 - ACCESSORY DRIVE GROUP

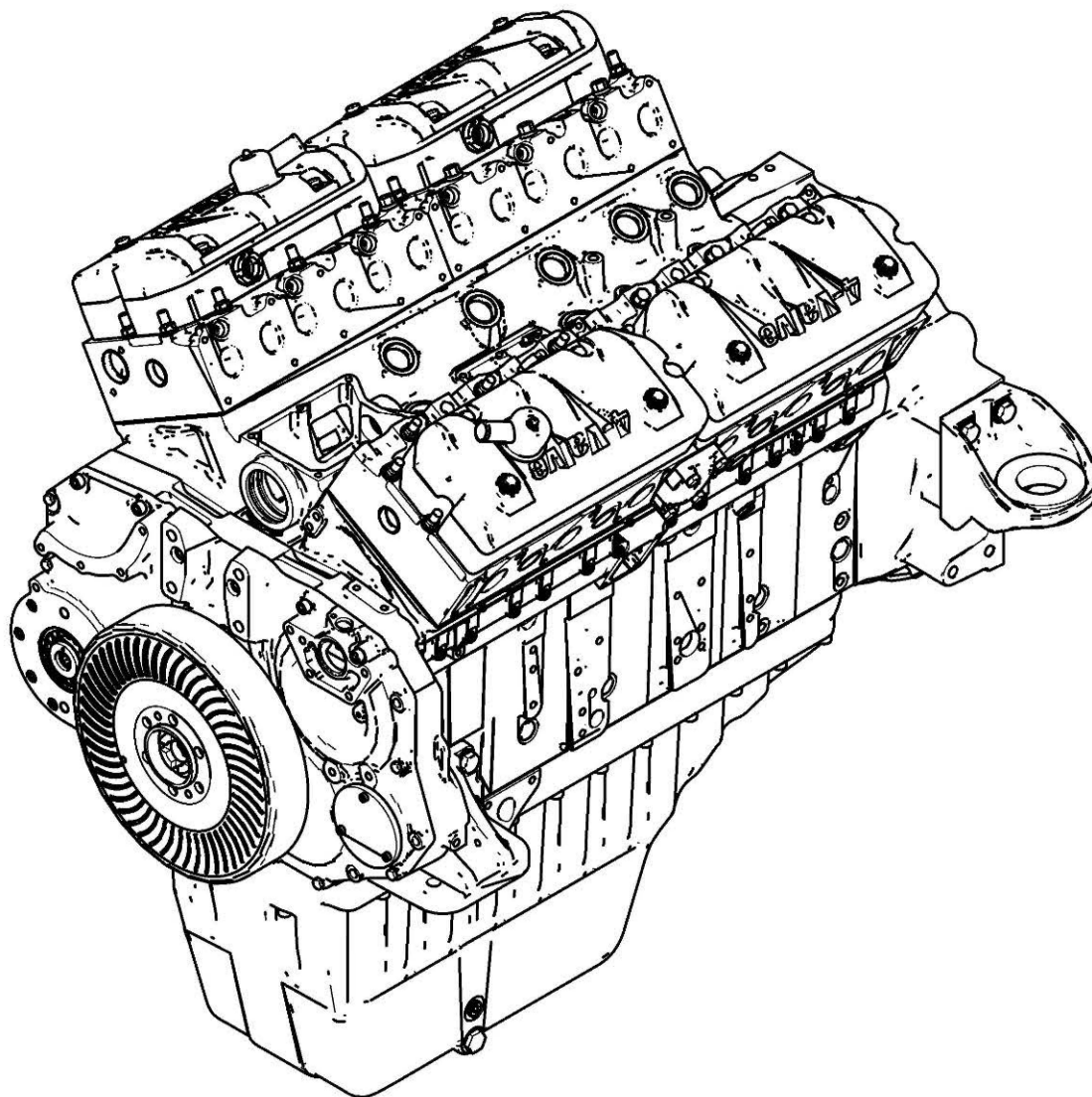
ITEM	PART NUMBER	QTY	DESCRIPTION COMMENTS	TECHNICAL SPECIFICATION
			T4F MT955E, MT965E	
1	WR55180	6	FLAT WASHER	5/16"
3	7774664	12	HEX NUT	M10 X 1.5
4	500951600	2	SPRING WASHER	17MM ID X 30MM OD X 1.6MM
5	V505611602	2	NUT	
6	589442D1	2	ALTERNATOR PULLEY	8PK, 78MM DIA
7	1440351X1	1	HEX SOCKET SCREW	M10 X 35-ISO 10.9-ZN
8	3010908X1	1	STUD BOLT	M10X42X34X15-ISO 8.8-ZN
9	3011962X1	1	HEX SOCKET HEAD BOLT	M10 X 140 (1.5) PH
10	391006X1	5	STUD BOLT	M10 X 30MM, CL8.8 ZN
11	400044X1	1	HEXAGONAL HEAD BOLT	M10 X 1.5 X 80MM, CL10.9
12	400061X1	1	HEXAGONAL HEAD BOLT	M10 X 1.5 X 100MM, CL10.9
	400225X1	1	HEXAGONAL HEAD BOLT NOT ILLUSTRATED	M10 X 1.5 X 90MM, CL10.9
14	400240X1	2	HEXAGONAL HEAD BOLT	M10 X 1.5 X 110MM, CL10.9
15	400287X1	10	FLAT WASHER	11MM X 21MM X 2.5MM
16	400682X1	6	HEX NUT	5/16"-18
17	4354386M1	1	TERMINAL POSITIVE TERMIAL	"+"
18	563418D1	1	FAN BLADE	40" 11 BLADE
19	563419D2	1	AIR CONDITIONING COMPRESSOR	
	400987X1	1	PRESSURE VALVE PRESSURE RELIEF VALVE WITH O-RING	
	400990X1	1	O-RING SEAL	8.8MM X 1.5MM
	CH102-8802	1	CONNECTOR REPAIR KIT	
20	565810D1	1	BELT TENSIONER	
21	565812D1	1	BELT ALTERNATOR	1917MM 8PK
22	570881D1	2	ALTERNATOR	150A, 14V
23	571229D1	2	STARTER	
24	576481D2	1	GUARD	ALTERNATOR
25	578629D1	1	FAN BELT AIR CONDITIONER	1760MM 12PK
26	578630D1	1	DRIVE PULLEY	162.5MM
27	CH8T-4132	4	HEX NUT	M16 X 2 X 14.8MM

578626D1-4-01



578626D1 - ACCESSORY DRIVE GROUP

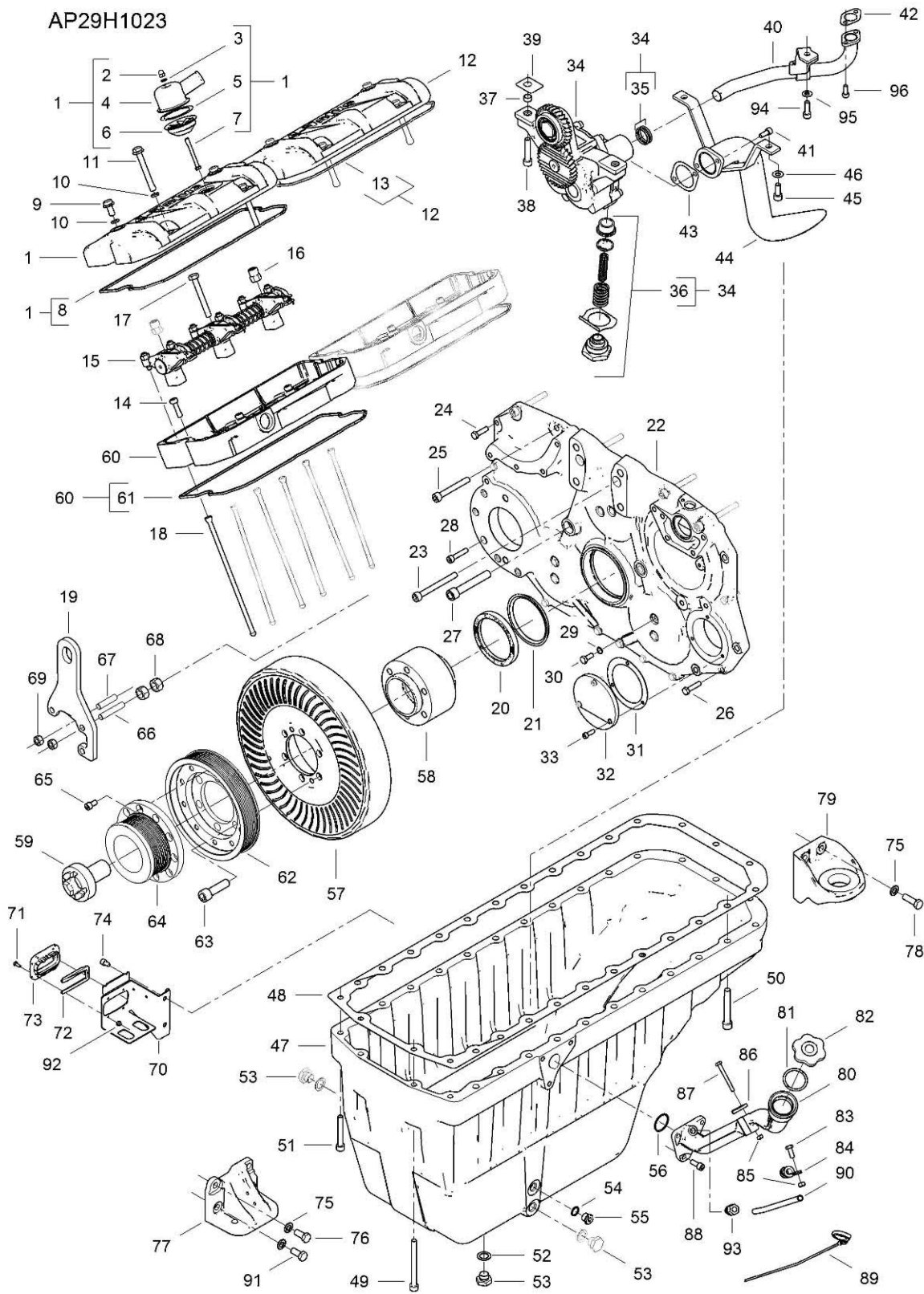
ITEM	PART NUMBER	QTY	DESCRIPTION COMMENTS	TECHNICAL SPECIFICATION
T4F- MT975E				
1	WR55180	6	FLAT WASHER	5/16"
3	7774664	12	HEX NUT	M10 X 1.5
4	V500951600	2	SPRING WASHER	
5	V505611602	2	NUT	
6	589442D1	2	ALTERNATOR PULLEY	8PK, 78MM DIA
7	1440351X1	1	HEX SOCKET SCREW	M10 X 35-ISO 10.9-ZN
8	3010908X1	1	STUD BOLT	M10X42X34X15-ISO 8.8-ZN
9	3011962X1	1	HEX SOCKET HEAD BOLT	M10 X 140 (1.5) PH
10	391006X1	6	STUD BOLT	M10 X 30MM, CL8.8 ZN
11	400044X1	1	HEXAGONAL HEAD BOLT	M10 X 1.5 X 80MM, CL10.9
12	400061X1	1	HEXAGONAL HEAD BOLT	M10 X 1.5 X 100MM, CL10.9
13	400225X1	1	HEXAGONAL HEAD BOLT	M10 X 1.5 X 90MM, CL10.9
14	400240X1	2	HEXAGONAL HEAD BOLT	M10 X 1.5 X 110MM, CL10.9
15	400287X1	10	FLAT WASHER	11MM X 21MM X 2.5MM
16	400682X1	6	HEX NUT	5/16"-18
17	4354386M1	1	TERMINAL POSITIVE TERMINAL	"+"
18	553135D1	1	FAN	1016MM 11 BLADE
19	563419D2	1	AIR CONDITIONING COMPRESSOR	
	CH102-8802	1	CONNECTOR REPAIR KIT	
	400987X1	1	PRESSURE VALVE	
	400990X1	1	O-RING SEAL	8.8MM X 1.5MM
20	565810D1	1	BELT TENSIONER	
21	565812D1	1	BELT ALTERNATOR	1917MM 8PK
22	570881D1	2	ALTERNATOR	150A, 14V
23	571229D1	2	STARTER	
24	576481D2	1	GUARD	ALTERNATOR
25	578627D1	1	DRIVE PULLEY	146MM
26	578628D1	1	FAN BELT AIR CONDITIONER	1747MM 12PK
27	CH8T-4132	4	HEX NUT	M16 X 2 X 14.8MM



V12LONGBLOCK - LONG BLOCK ENGINE

ITEM	PART NUMBER	QTY	DESCRIPTION COMMENTS	TECHNICAL SPECIFICATION
1	V835677451	1	LONG BLOCK ENGINE LIMITED SERVICE AUTHORIZATION	168 AWF

AP29H1023 - LONG BLOCK ENGINE - SERVICE PARTS



01-0014

Copyright © 2016 AGCO Corporation

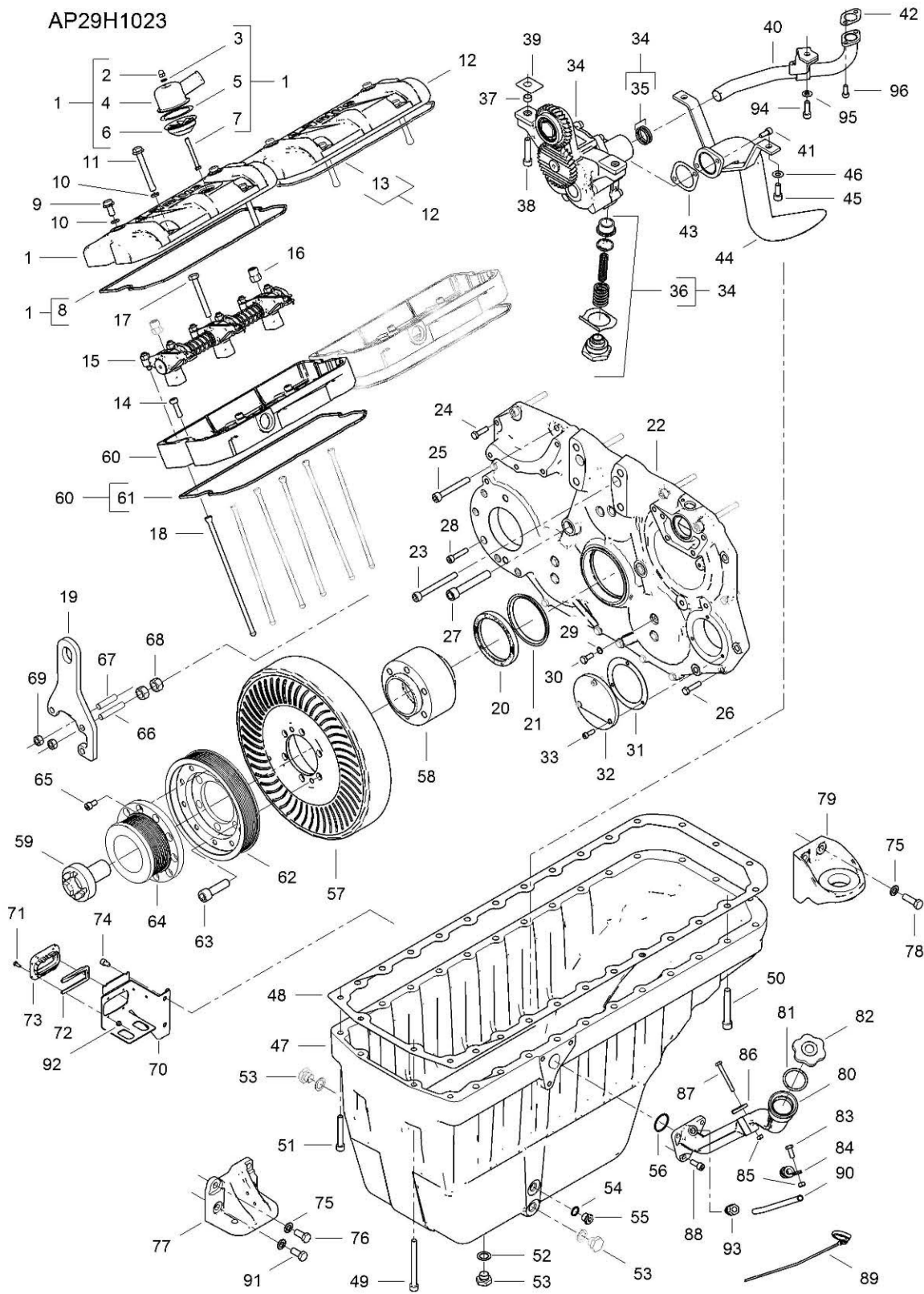
ENGINE, FUEL AND EXHAUST SYSTEM

MT955E / MT965E / MT975E TRACTOR

AP29H1023 - LONG BLOCK ENGINE - SERVICE PARTS

ITEM	PART NUMBER	QTY	DESCRIPTION COMMENTS	TECHNICAL SPECIFICATION
1	V837084221	2	VALVE ROCKER COVER	
2	V519600602	2	NUT [A]	
3	V836667508	2	SEALING WASHER [A]	
4	V837070442	2	BREATHER [A]	
5	V836667459	2	GASKET [A]	
6	V837070443	2	BREATHER [A]	
7	V528801172	2	HEX CAP SCREW [A]	
8	V837067881	2	VALVE ROCKER COVER GASKET [A]	
9	V540801780	2	HEX CAP SCREW	
10	V614901030	8	O-RING	
11	V540801910	2	SCREW	
12	V837084117	2	VALVE ROCKER COVER	
13	V837067881	2	VALVE ROCKER COVER GASKET [B]	
14	V581804630	6	HEX SOCKET SCREW	
15	V837081762	4	ROCKER SHAFT ASM	
16	V836655406	8	NUT	
17	V529801910	4	HEX CAP SCREW	
18	V837084417	24	PUSH ROD	
19	V837081865	1	LIFT EYE	
20	V837088313	1	CRANKSHAFT SEAL	
21	V837081827	1	SHIELD	
22	V837081699	1	GEAR HOUSING FRONT COVER	
23	V581705170	3	HEX SOCKET SCREW	
24	V528801412	1	HEX CAP SCREW	
25	V581705130	3	HEX SOCKET SCREW	
26	V528801420	9	HEX CAP SCREW	
27	V581705950	2	HEX SOCKET SCREW	
28	V581804650	5	HEX SOCKET SCREW	
29	V836015967	6	SEALING WASHER	
30	V528801380	6	HEX CAP SCREW	
31	V837088250	1	GASKET	
32	V837088249	1	COVER	
33	V581804202	3	HEX SOCKET SCREW	
			[A] INCLUDED IN ITEM 1	
			[B] INCLUDED IN ITEM 12	
			[C] INCLUDED IN ITEM 34	
			[D] INCLUDED IN ITEM 60	
			[E] NOT INCLUDED IN LONG BLOCK CONTENT	

AP29H1023 - LONG BLOCK ENGINE - SERVICE PARTS



01-0014

Copyright © 2016 AGCO Corporation

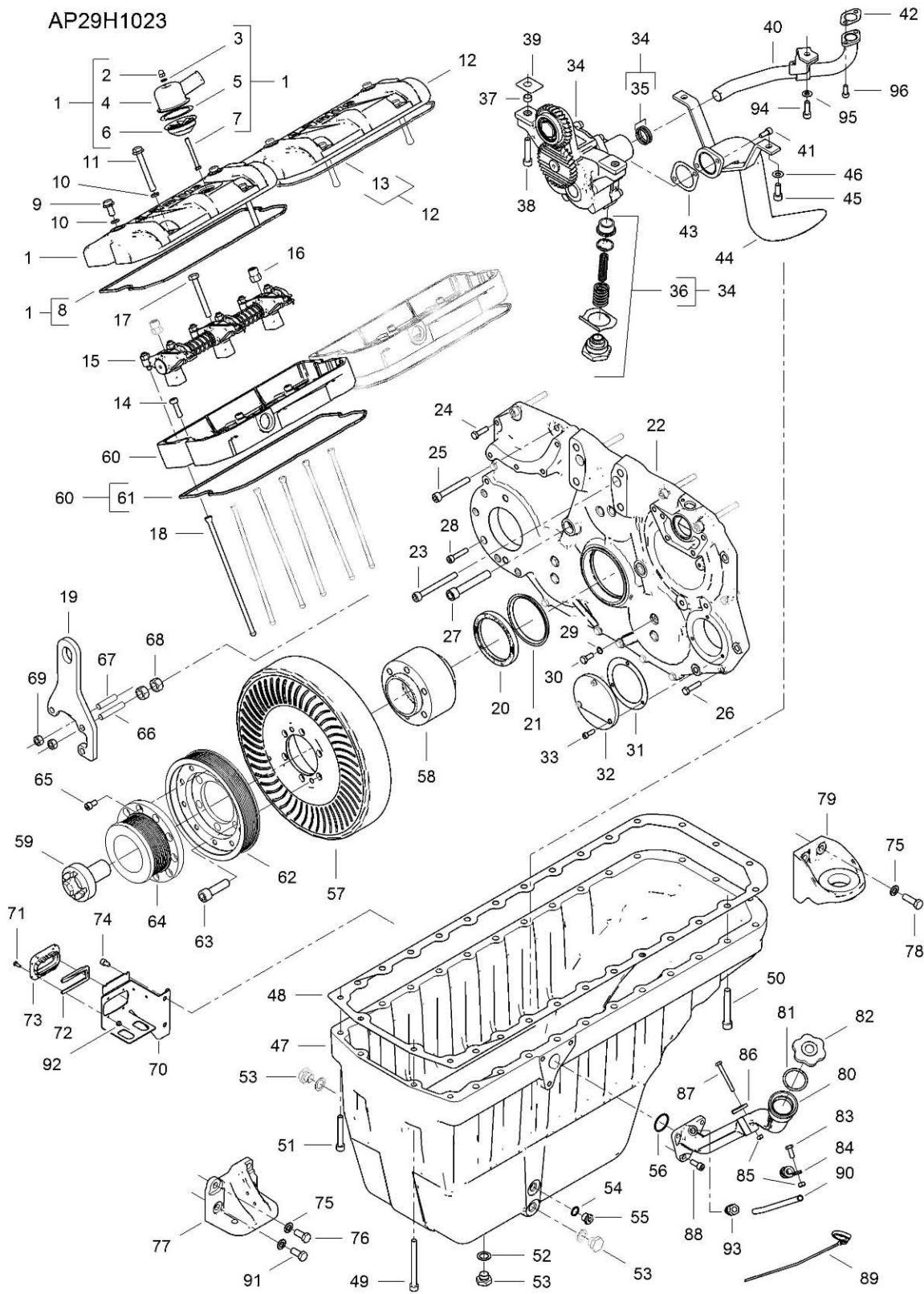
ENGINE, FUEL AND EXHAUST SYSTEM

MT955E / MT965E / MT975E TRACTOR

AP29H1023 - LONG BLOCK ENGINE - SERVICE PARTS

ITEM	PART NUMBER	QTY	DESCRIPTION COMMENTS	TECHNICAL SPECIFICATION
34	V837081901	1	LUBRICATING OIL PUMP	
35	V614902835	2	O-RING [C]	
36	V837079936	1	OIL PRESSURE CONTROL VALVE [C]	
37	V836659527	2	GUIDE SLEEVE	
38	V581705070	2	HEX SOCKET SCREW	
39	V837081931		INTERMEDIATE PLATE AS REQUIRED, REFER TO WORKSHOP MANUAL	
40	V837088338	1	OIL PIPE	
41	V581804600	2	HEX SOCKET SCREW	
42	V836322190	1	GASKET	
43	V837081793	1	GASKET	
44	V837081734	1	OIL PUMP SUCTION PIPE	
45	V581805020	2	HEX SOCKET SCREW	
46	V500151050	2	WASHER	
47	V837081591	1	OIL SUMP	
48	V837081653	1	OIL SUMP GASKET	
49	V581705180	2	HEX SOCKET SCREW	
50	V581705520	25	HEX SOCKET SCREW	
51	V581705110	2	HEX SOCKET SCREW	
52	V615881827	3	SEALING WASHER	
53	V836655493	3	PLUG	
54	V615881620	1	SEALING WASHER	
55	V640325016	1	PLUG	
56	V614604530	1	O-RING	
57	V837088291	1	CRANKSHAFT VIBRATION DAMPENER	
58	V837081507	1	CRANKSHAFT HUB	
59	V837081583	1	CRANKSHAFT SCREW	
60	V837084220	4	VALVE ROCKER COVER FRAME	
61	V837067881	4	VALVE ROCKER COVER GASKET [D]	
62	V837088293	1	CRANKSHAFT PULLEY [E]	
63	V581705850	6	HEX SOCKET SCREW [E]	
64	V837088294	1	CRANKSHAFT PULLEY [E]	
65	V581705000	10	HEX SOCKET SCREW [E]	
			[A] INCLUDED IN ITEM 1	
			[B] INCLUDED IN ITEM 12	
			[C] INCLUDED IN ITEM 34	
			[D] INCLUDED IN ITEM 60	
			[E] NOT INCLUDED IN LONG BLOCK CONTENT	

AP29H1023 - LONG BLOCK ENGINE - SERVICE PARTS



01-0014

Copyright © 2016 AGCO Corporation

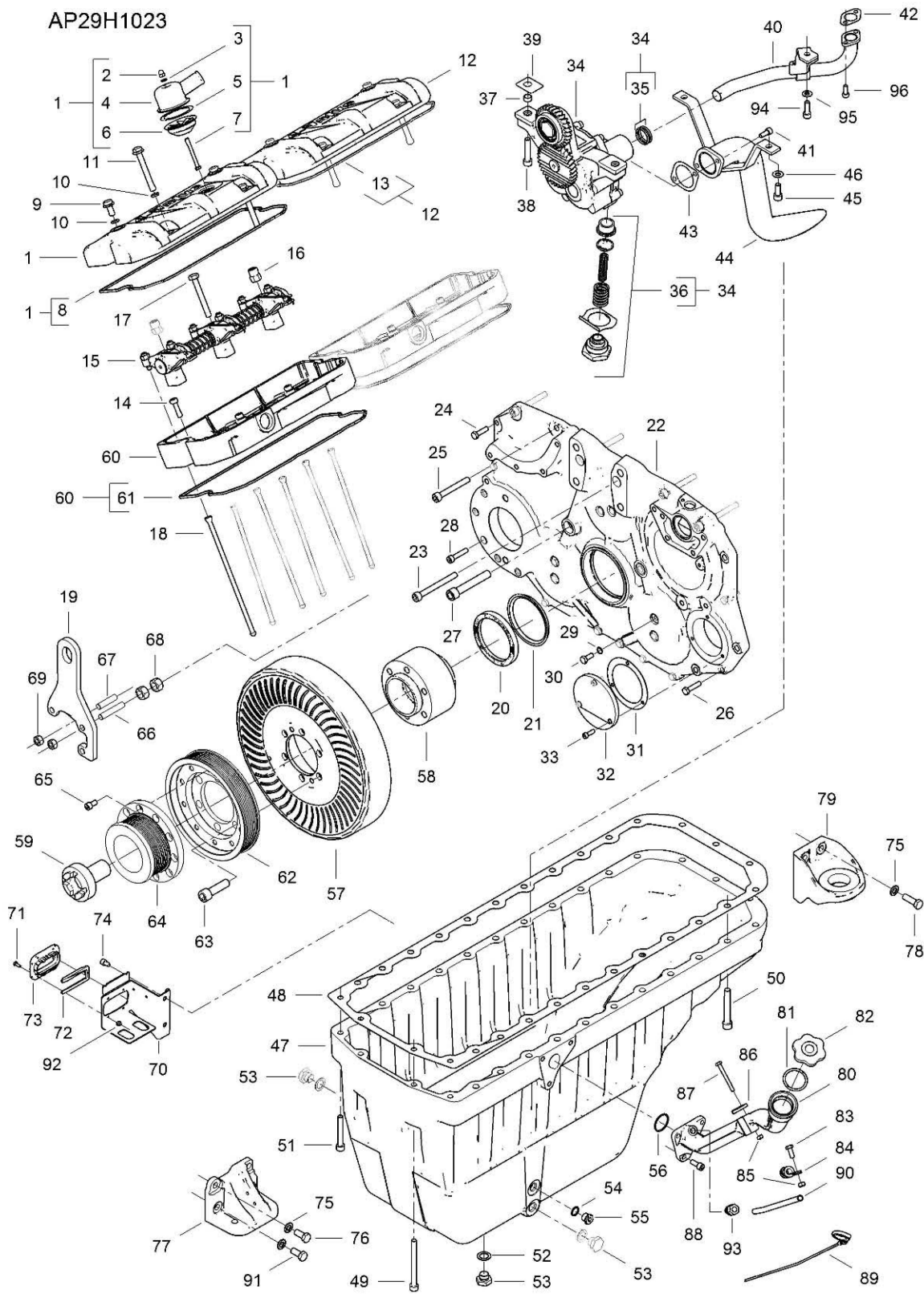
ENGINE, FUEL AND EXHAUST SYSTEM

MT955E / MT965E / MT975E TRACTOR

AP29H1023 - LONG BLOCK ENGINE - SERVICE PARTS

ITEM	PART NUMBER	QTY	DESCRIPTION COMMENTS	TECHNICAL SPECIFICATION
66	V546903090	3	STUD BOLT [E]	
67	V546903050	1	STUD BOLT [E]	
68	V504602202	6	NUT [E]	
69	V504801600	4	NUT [E]	
70	V837088143	1	BRACKET [E]	
71	V528800752	4	HEX CAP SCREW [E]	
72	V837074130	1	HOLDER [E]	
73	V837074049	1	COLLAR [E]	
74	V581804980	2	HEX SOCKET SCREW [E]	
75	V500151702	16	WASHER	
76	V528903020	4	HEX CAP SCREW	
77	V837088075	2	ENGINE MOUNT	
78	V528903050	8	HEX CAP SCREW	
79	V837088076	2	ENGINE MOUNT	
80	V837088163	1	ENGINE OIL FILL PIPE [E]	
81	V614704850	1	O-RING [E]	
82	V836659968	1	OIL FILLER CAP [E]	
83	V528801380	1	HEX CAP SCREW [E]	
84	V602060612	1	HOSE CLIP [E]	
85	V510600802	3	NUT [E]	
86	V837088223	1	SUPPORT [E]	
87	V528801490	2	HEX CAP SCREW [E]	
88	V581805020	3	HEX SOCKET SCREW [E]	
89	V837088099	1	DIPSTICK [E]	
			[A] INCLUDED IN ITEM 1	
			[B] INCLUDED IN ITEM 12	
			[C] INCLUDED IN ITEM 34	
			[D] INCLUDED IN ITEM 60	
			[E] NOT INCLUDED IN LONG BLOCK CONTENT	

AP29H1023 - LONG BLOCK ENGINE - SERVICE PARTS



01-0014

Copyright © 2016 AGCO Corporation

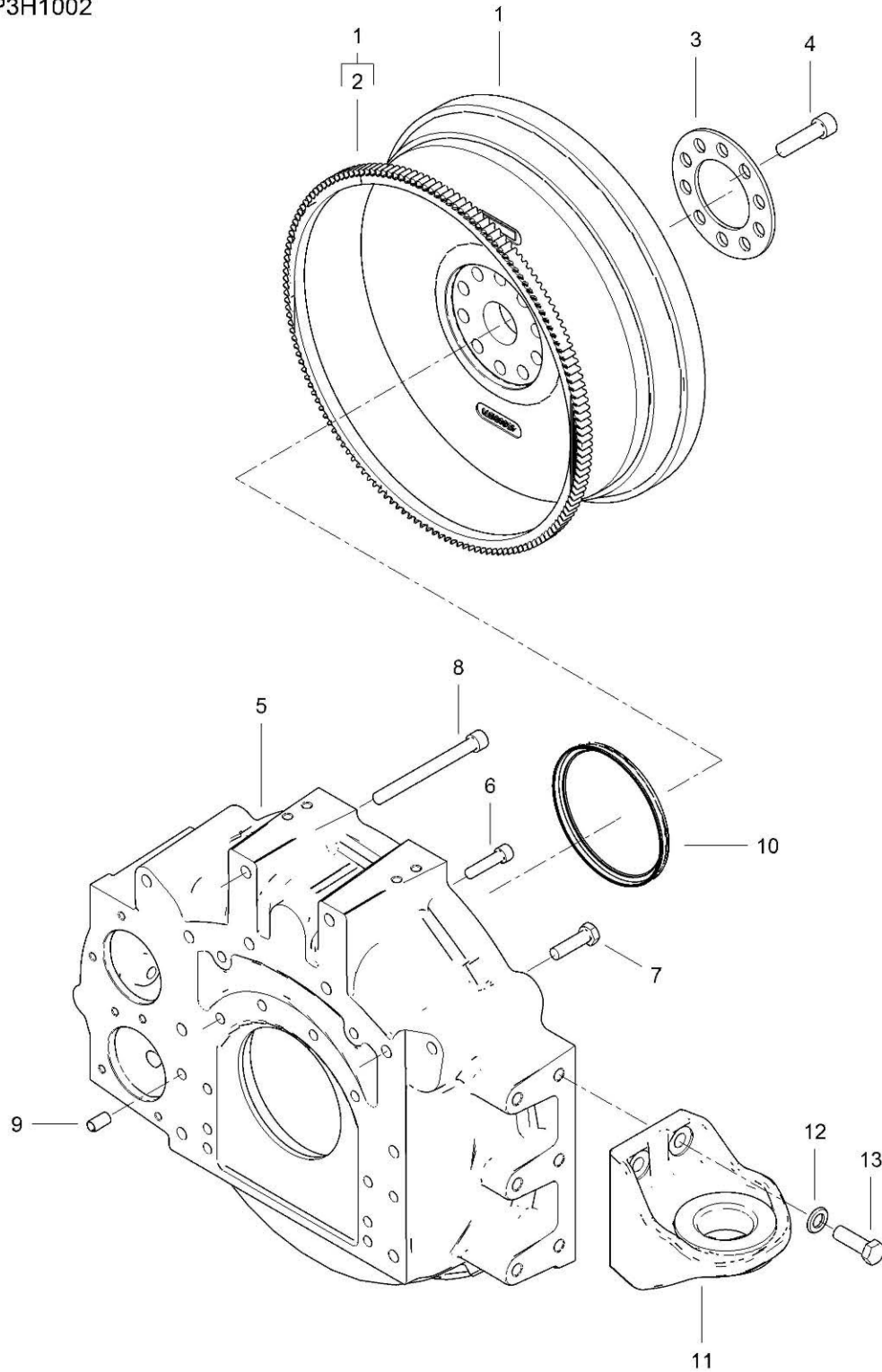
ENGINE, FUEL AND EXHAUST SYSTEM

MT955E / MT965E / MT975E TRACTOR

AP29H1023 - LONG BLOCK ENGINE - SERVICE PARTS

ITEM	PART NUMBER	QTY	DESCRIPTION COMMENTS	TECHNICAL SPECIFICATION
90	V837088098	1	OIL DIPSTICK GUIDE PIPE [E]	
91	V528903030	4	HEX CAP SCREW [E]	
92	V504600502	4	NUT [E]	
93	V641086013	1	STRAIGHT FITTING [E]	
94	V581705030	1	HEX SOCKET SCREW	
95	V500151050	1	WASHER	
96	V581704600	2	HEX SOCKET SCREW	
			[A] INCLUDED IN ITEM 1	
			[B] INCLUDED IN ITEM 12	
			[C] INCLUDED IN ITEM 34	
			[D] INCLUDED IN ITEM 60	
			[E] NOT INCLUDED IN LONG BLOCK CONTENT	

AP3H1002

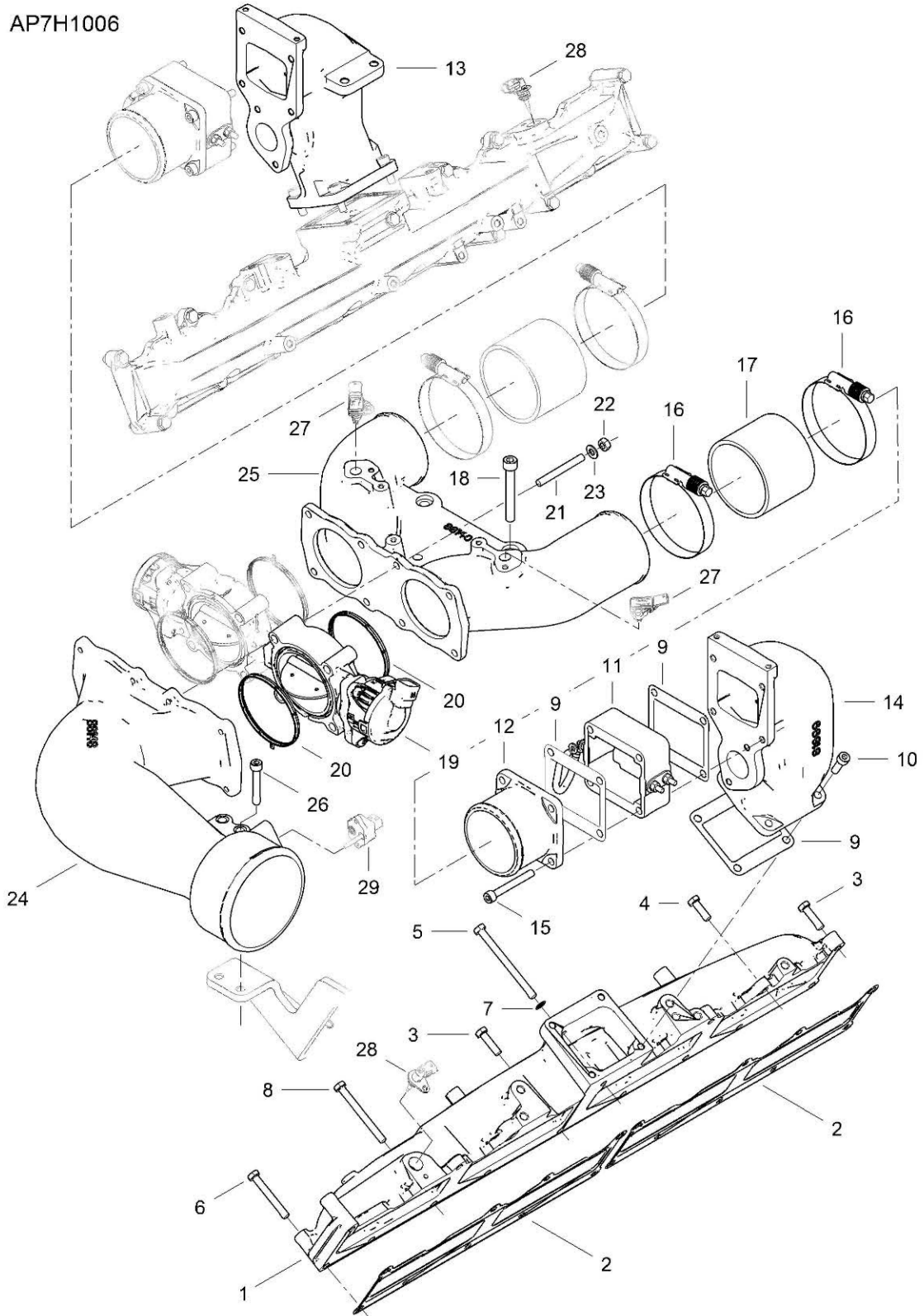


AP3H1002 - FLYWHEEL AND HOUSING

ITEM	PART NUMBER	QTY	DESCRIPTION COMMENTS	TECHNICAL SPECIFICATION
1	V837081572	1	FLYWHEEL	
2	V836117058	1	STARTER RING [A]	
3	V837081864	1	WASHER	
4	V581706290	10	HEX SOCKET SCREW	
5	V837081573	1	FLYWHEEL HOUSING	
6	V581705470	8	HEX SOCKET SCREW	
7	V529702650	8	HEX CAP SCREW	
8	V581706020	4	HEX SOCKET SCREW	
9	V598359860	2	PIN	
10	V837091084	1	CRANKSHAFT SEAL	
11	V837088076	2	ENGINE MOUNT	
12	V500151702	8	WASHER	
13	V528903050	8	HEX CAP SCREW	

[A] INCLUDED IN ITEM 1

AP7H1006 - INTAKE MANIFOLD

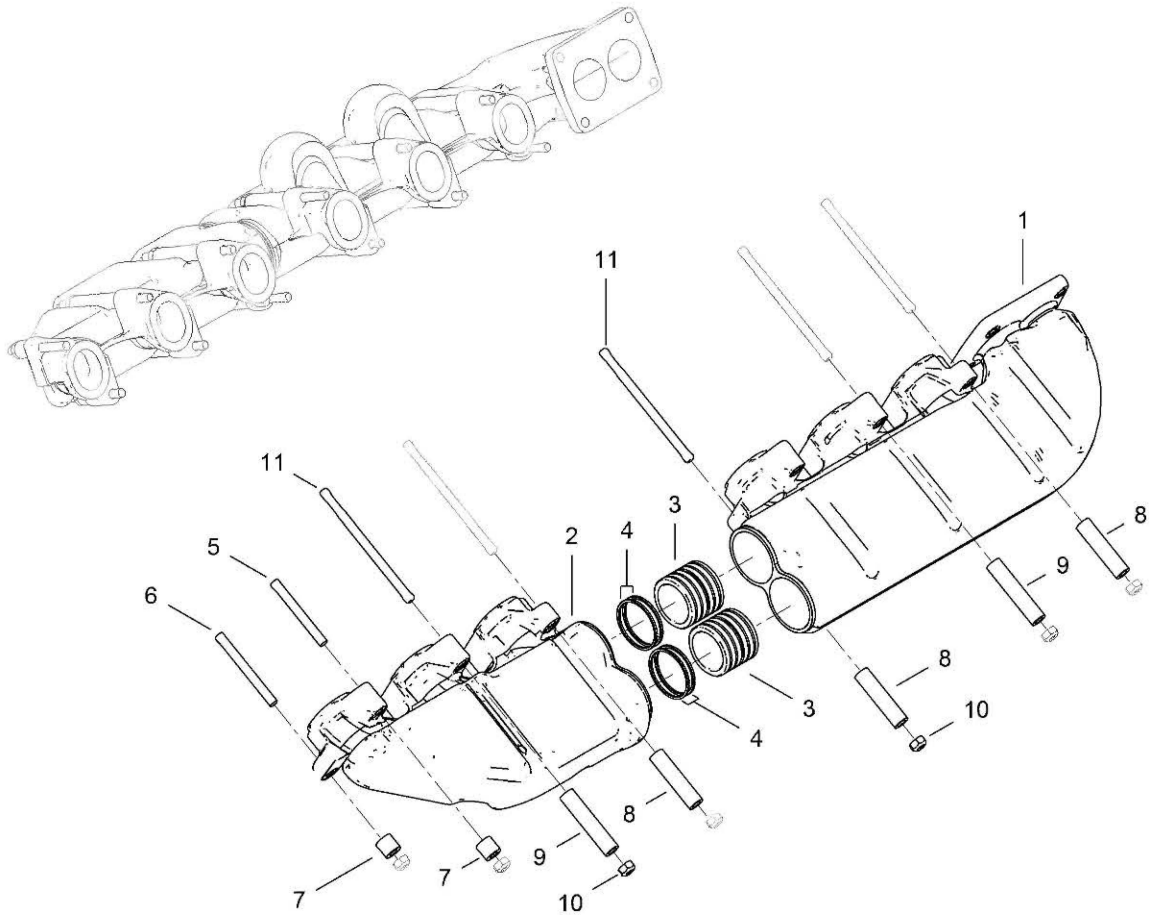


AP7H1006 - INTAKE MANIFOLD

ITEM	PART NUMBER	QTY	DESCRIPTION COMMENTS	TECHNICAL SPECIFICATION
1	V837084030	2	INTAKE MANIFOLD	
2	V837069009	4	INTAKE MANIFOLD GASKET	
3	V528801410	16	HEX CAP SCREW	
4	V528801400	4	HEX CAP SCREW	
5	V529801550	2	HEX CAP SCREW	
6	V529801470	6	HEX CAP SCREW	
7	V836015967	2	SEALING WASHER	
8	V529801510	4	HEX CAP SCREW	
9	V837067345	6	GASKET	
10	V581804620	8	HEX SOCKET SCREW	
11	V837067295	2	INTAKE AIR PREHEATER	
12	V837081851	2	AIR PIPE	
13	V837081898	1	AIR PIPE	
14	V837081899	1	AIR PIPE	
15	V581804702	8	HEX SOCKET SCREW	
16	V602084783	4	HOSE CLIP	
17	V837088073	2	AIR PIPE	
18	V581805122	3	HEX SOCKET SCREW	
19	V837084452	2	THROTTLE FLAP	
20	V837079849	4	GASKET [A]	
21	V546801470	8	STUD BOLT	
22	V504800800	8	NUT	
23	V500050842	8	WASHER	
24	V837088148	1	AIR PIPE	
25	V837088140	1	HOUSING	
26	V581804670	2	HEX SOCKET SCREW	
27		2	SEE PAGE 01-0027	
28		2	SEE PAGE 01-0027	
29		1	SEE PAGE 01-0027 [A] INCLUDED IN ITEM 19	

AP8H1007 - EXHAUST MANIFOLD

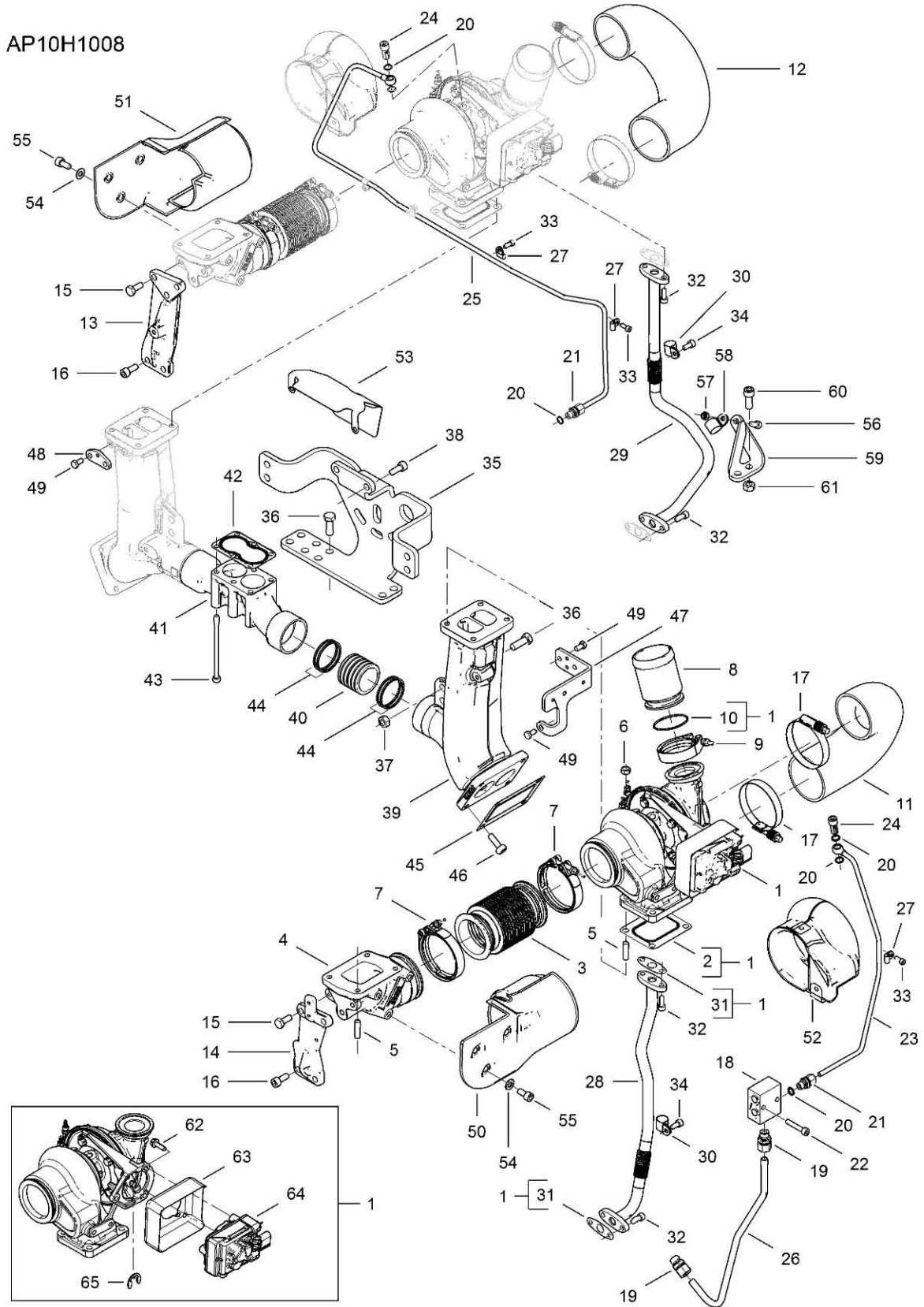
AP8H1007



AP8H1007 - EXHAUST MANIFOLD

ITEM	PART NUMBER	QTY	DESCRIPTION COMMENTS	TECHNICAL SPECIFICATION
1	V837088242	2	EXHAUST MANIFOLD	
2	V837088241	2	EXHAUST MANIFOLD	
3	V837081604	4	SLEEVE	
4	V837073503	16	SEALING WASHER	
5	V546801910	2	STUD BOLT	
6	V546801930	2	STUD BOLT	
7	V835346219	4	SPACER PIECE	
8	V837073052	6	SPACER PIECE	
9	V837073494	14	SPACER PIECE	
10	V513601002	24	NUT	
11	V836667960	20	STUD BOLT	

AP10H1008 - HIGH PRESSURE TURBOCHARGER



01-0018

Copyright © 2016 AGCO Corporation

ENGINE, FUEL AND EXHAUST SYSTEM

MT955E / MT965E / MT975E TRACTOR

AP10H1008 - HIGH PRESSURE TURBOCHARGER

ITEM	PART NUMBER	QTY	DESCRIPTION COMMENTS	TECHNICAL SPECIFICATION
1	V837079843	2	KIT, TURBOCHARGR	
2	V836840992	2	GASKET [A]	
3	V837088007	2	AIR PIPE	
4	V837088155	2	CONNECTION FLANGE	
5	V546701800	16	STUD BOLT	
6	V521601000	8	NUT	
7	V837074811	4	CLAMP	
8	V836884082	2	AIR PIPE	
9	V836866454	2	CLAMP	
10	V614606225	2	O-RING [A]	
11	V837088164	1	RUBBER ELBOW	
12	V837088165	1	RUBBER ELBOW	
13	V837088136	1	BRACKET	
14	V837088135	1	BRACKET	
15	V528801800	5	HEX CAP SCREW	
16	V581705020	4	HEX SOCKET SCREW	
17	V602084783	4	HOSE CLIP	
18	V837088172	1	HOUSING	
19	V641086012	2	STRAIGHT FITTING	
20	V615881216	6	SEALING WASHER	
21	V641086008	2	STRAIGHT FITTING	
22	V581804660	2	HEX SOCKET SCREW	
23	V837088197	1	TURBOCHARGER LUBRICATION OIL PIPE	
24	V837084078	2	BANJO BOLT	
25	V837088198	1	TURBOCHARGER LUBRICATION OIL PIPE	
26	V837088196	1	OIL PIPE	
27	V602071608	5	HOSE CLIP	
28	V837088208	1	TURBOCHARGER LUBRICATION OIL PIPE	
29	V837088209	1	TURBOCHARGER LUBRICATION OIL PIPE	
30	V602074620	2	CLAMP	
31	V836324580	4	GASKET [A]	
32	V581704600	8	HEX SOCKET SCREW	
33	V581804182	5	HEX SOCKET SCREW	
34	V581804582	2	HEX SOCKET SCREW	
35	V837088005	1	BRACKET	
36	V528702220	8	HEX CAP SCREW	
37	V504801200	4	NUT	
38	V581705020	2	HEX SOCKET SCREW	
39	V837088247	2	CONNECTION FLANGE [A] INCLUDED IN ITEM 1	

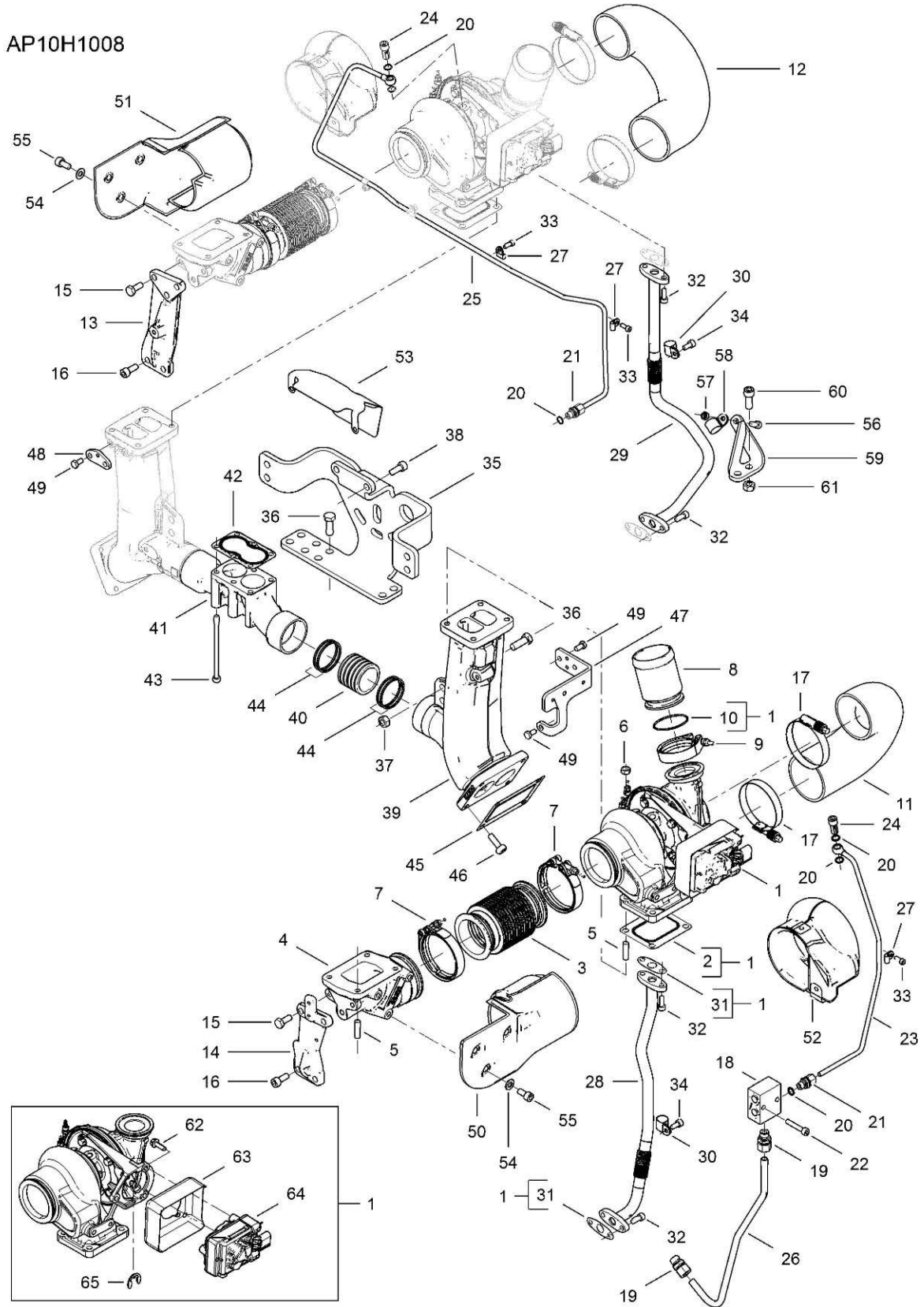
01-0018

ENGINE, FUEL AND EXHAUST SYSTEM

Copyright © 2016 AGCO Corporation

MT955E / MT965E / MT975E TRACTOR

AP10H1008 - HIGH PRESSURE TURBOCHARGER



01-0018

Copyright © 2016 AGCO Corporation

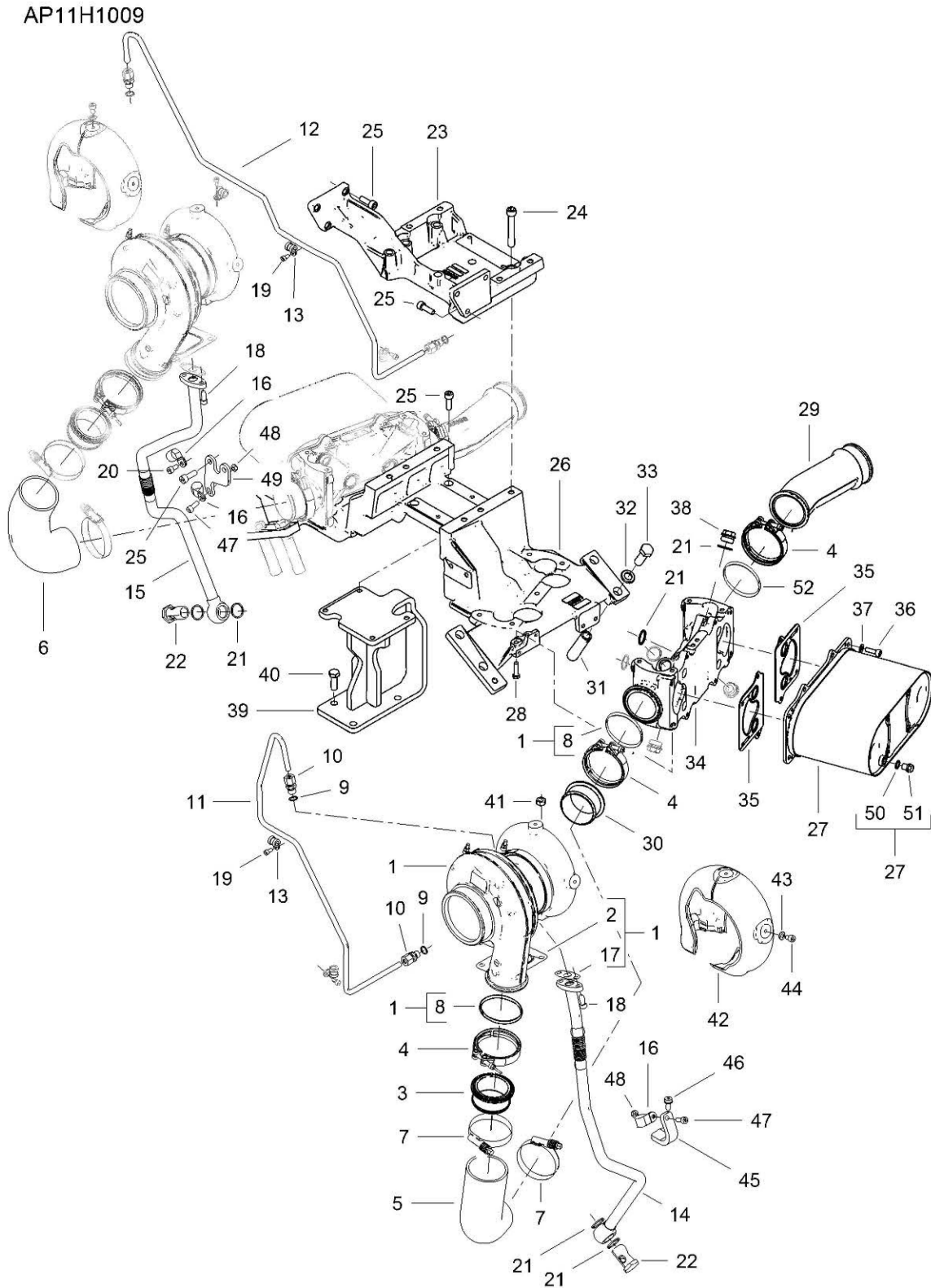
ENGINE, FUEL AND EXHAUST SYSTEM

MT955E / MT965E / MT975E TRACTOR

AP10H1008 - HIGH PRESSURE TURBOCHARGER

ITEM	PART NUMBER	QTY	DESCRIPTION COMMENTS	TECHNICAL SPECIFICATION
40	V837081604	2	SLEEVE	
41	V837081684	1	PIPE	
42	V837088094	1	GASKET	
43	V581704810	6	HEX SOCKET SCREW	
44	V837073503	8	SEALING WASHER	
45	V837081786	2	GASKET	
46	V581705030	8	HEX SOCKET SCREW	
47	V837088195	1	BRACKET	
48	V837088210	1	BRACKET	
49	V528801360	5	HEX CAP SCREW	
50	V837088120	1	HEATSHIELD	
51	V837088121	1	HEATSHIELD	
52	V837088122	2	HEATSHIELD	
53	V837088124	1	HEATSHIELD	
54	V500151050	6	WASHER	
55	V581805000	6	HEX SOCKET SCREW	
56	V581804600	1	HEX SOCKET SCREW	
57	V510600802	1	NUT	
58	V602074620	1	CLAMP	
59	V837088290	1	BRACKET	
60	V581705430	2	HEX SOCKET SCREW	
61	V504801202	2	NUT	
62	V837091127	3	SCREW [A]	
63	V837091123	1	HEATSHIELD [A]	
64	V837091110	1	ACTUATOR [A]	
65	V837079945	1	LOCK RING [A] [A] INCLUDED IN ITEM 1	

AP11H1009 - LOW PRESSURE TURBOCHARGER AND ICAC



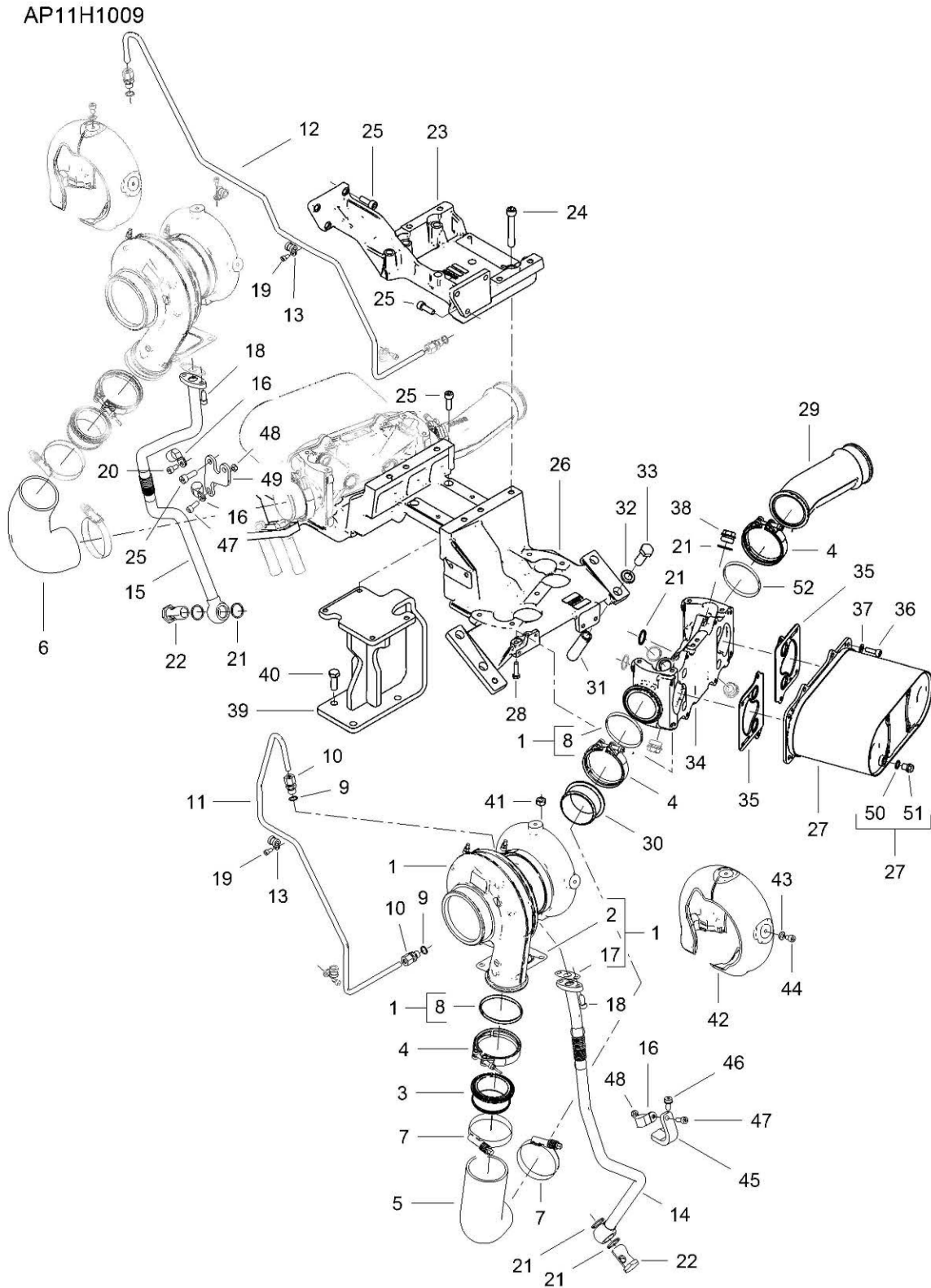
AP11H1009 - LOW PRESSURE TURBOCHARGER AND ICAC

ITEM	PART NUMBER	QTY	DESCRIPTION COMMENTS	TECHNICAL SPECIFICATION
1	V837079845	2	KIT, TURBOCHARGR	
2	V836884072	2	GASKET [A]	
3	V837084034	2	AIR PIPE	
4	V837074813	6	CLAMP	
5	V837088169	1	RUBBER ELBOW	
6	V837088170	1	RUBBER ELBOW	
7	V602084783	4	HOSE CLIP	
8	V614707625	6	O-RING [A]	
9	V615881418	4	SEALING WASHER	
10	V641086010	4	STRAIGHT FITTING	
11	V837088199	1	TURBOCHARGER LUBRICATION OIL PIPE	
12	V837088200	1	TURBOCHARGER LUBRICATION OIL PIPE	
13	V602070810	5	HOSE CLIP	
14	V837088206	1	TURBOCHARGER LUBRICATION OIL PIPE	
15	V837088207	1	TURBOCHARGER LUBRICATION OIL PIPE	
16	V602074522	3	HOSE CLIP	
17	V836324580	2	GASKET	
18	V581704600	4	HEX SOCKET SCREW	
19	V581804170	5	HEX SOCKET SCREW	
20	V581804582	1	HEX SOCKET SCREW	
21	V615892631	12	SEALING WASHER	
22	V640435022	2	BANJO BOLT	
23	V837088159	1	BRACKET	
24	V581705520	6	HEX SOCKET SCREW	
25	V581705030	12	HEX SOCKET SCREW	
26	V837088157	1	BRACKET	
27	V837084506	2	CHARGE AIR COOLER	
28	V528801410	10	HEX CAP SCREW	
29	V837088168	2	AIR PIPE	
30	V837084536	2	AIR PIPE	
31	V836867567	8	LIFTING EYE EXTENSION	
32	V500151702	8	WASHER	
33	V528803042	8	HEX CAP SCREW	
34	V837084477	2	HOUSING	
35	V837084507	4	GASKET	
36	V581804620	16	HEX SOCKET SCREW	
37	V500050842	16	WASHER	
38	V640045126	6	PLUG	

[A] INCLUDED IN ITEM 1

[B] INCLUDED IN ITEM 27

AP11H1009 - LOW PRESSURE TURBOCHARGER AND ICAC

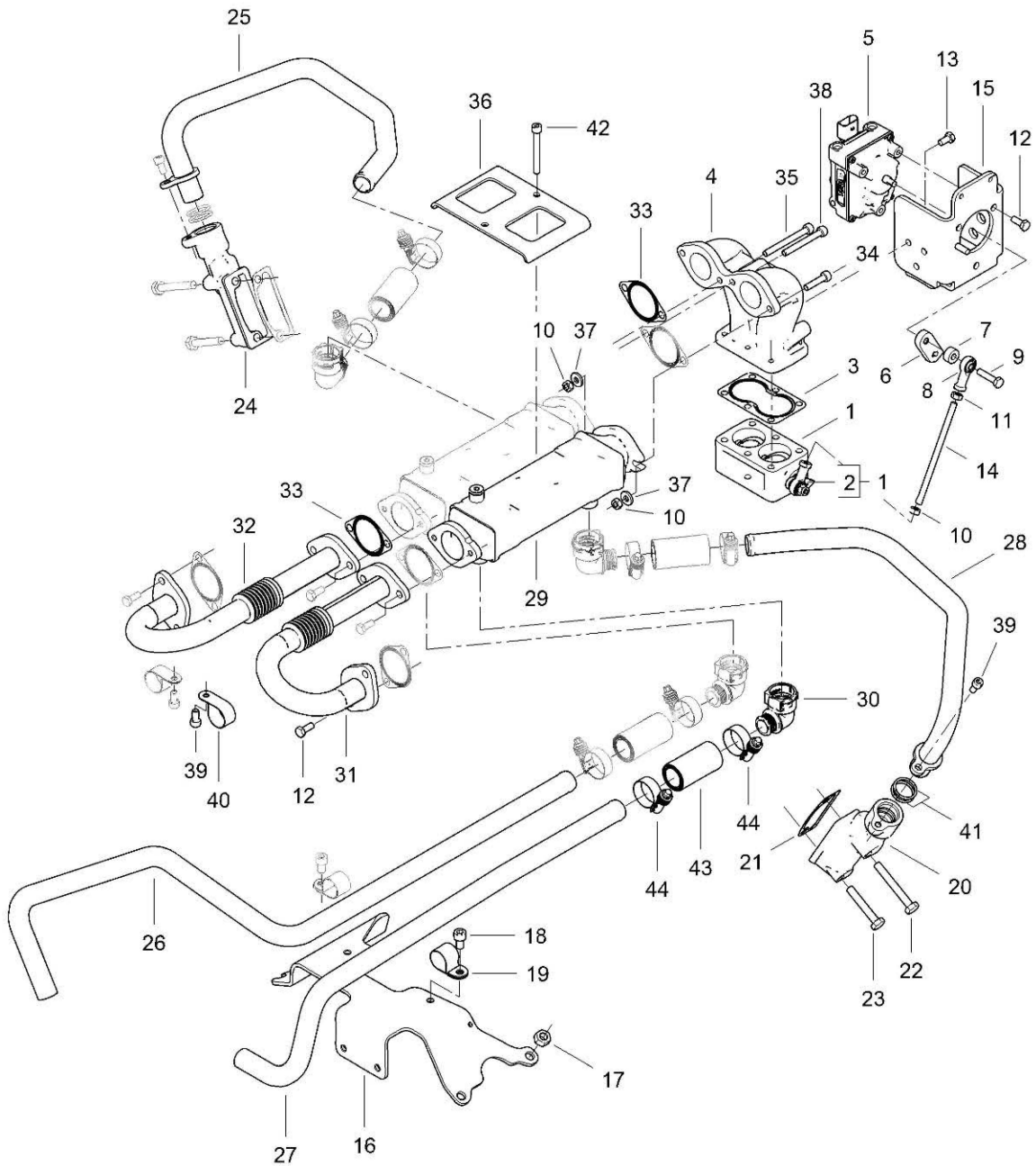


AP11H1009 - LOW PRESSURE TURBOCHARGER AND ICAC

ITEM	PART NUMBER	QTY	DESCRIPTION COMMENTS	TECHNICAL SPECIFICATION
39	V837088087	1	BRACKET	
40	V528702220	4	HEX CAP SCREW	
41	V521601000	8	NUT	
42	V837088123	2	HEATSHIELD	
43	V500150842	6	WASHER	
44	V581804570	6	HEX SOCKET SCREW	
45	V837088288	1	BRACKET	
46	V588704600	1	HEX SOCKET SCREW	
47	V581804600	2	HEX SOCKET SCREW	
48	V510600802	2	NUT	
49	V837088289	1	BRACKET	
50	V615881216	2	SEALING WASHER [B]	
51	V640305012	2	PLUG [B]	
52	V614707625	1	O-RING [A] INCLUDED IN ITEM 1 [B] INCLUDED IN ITEM 27	

AP12H1010 - EXHAUST GAS RECIRCULATION (EGR)

AP12H1010



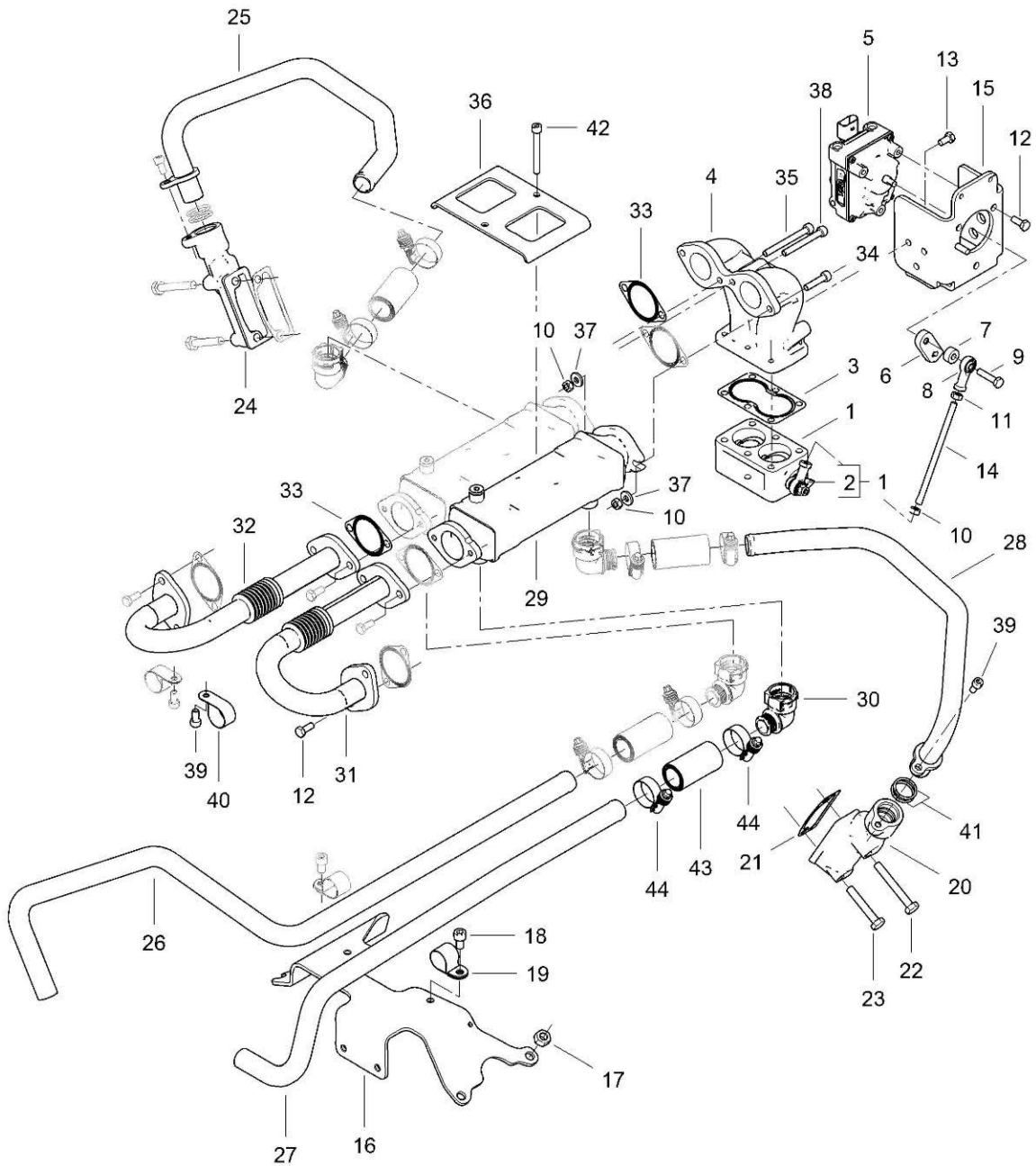
AP12H1010 - EXHAUST GAS RECIRCULATION (EGR)

ITEM	PART NUMBER	QTY	DESCRIPTION COMMENTS	TECHNICAL SPECIFICATION
1	V837074306	1	EGR VALVE	
2	V837079691	1	UNION [A]	
3	V837088094	1	GASKET	
4	V837088004	1	AIR PIPE	
5	V837074614	1	ACTUATOR	
6	V837074608	1	LEVER	
7	V836666337	1	SPACER PIECE	
8	V837073478	1	CONNECTOR	
9	V528801420	1	HEX CAP SCREW	
10	V504800800	3	NUT	
11	V504650800	1	NUT	
12	V528801380	11	HEX CAP SCREW	
13	V528801360	2	HEX CAP SCREW	
14	V837088252	1	ROD	
15	V837088006	1	BRACKET	
16	V837081936	1	BRACKET	
17	V504601200	4	NUT	
18	V581804980	2	HEX SOCKET SCREW	
19	V602075528	2	HOSE CLIP	
20	V837088057	1	RETURN PIPE	
21	V836867753	2	GASKET	
22	V529801900	2	HEX CAP SCREW	
23	V529801870	2	HEX CAP SCREW	
24	V837081733	1	RETURN PIPE	
25	V837081721	1	WATER PIPE	
26	V837088114	1	WATER PIPE	
27	V837081724	1	WATER PIPE	
28	V837088126	1	WATER PIPE	
29	V837074869	2	EGR COOLER	
30	V837074870	4	HOSE COUPLER	
31	V837088233	1	PIPE	
32	V837088234	1	PIPE	
33	V837074972	6	GASKET	
34	V581704640	2	HEX SOCKET SCREW	
35	V581704730	1	HEX SOCKET SCREW	
36	V837088296	1	BRACKET	
37	V836120989	2	WASHER	
38	V581704710	1	HEX SOCKET SCREW	
39	V581804580	4	HEX SOCKET SCREW	
40	V837088310	2	CLAMP	
41	V614902830	4	O-RING	
42	V581804710	2	HEX SOCKET SCREW	
43	V837084728	4	RUBBER HOSE	

[A] INCLUDED IN ITEM 1

AP12H1010 - EXHAUST GAS RECIRCULATION (EGR)

AP12H1010

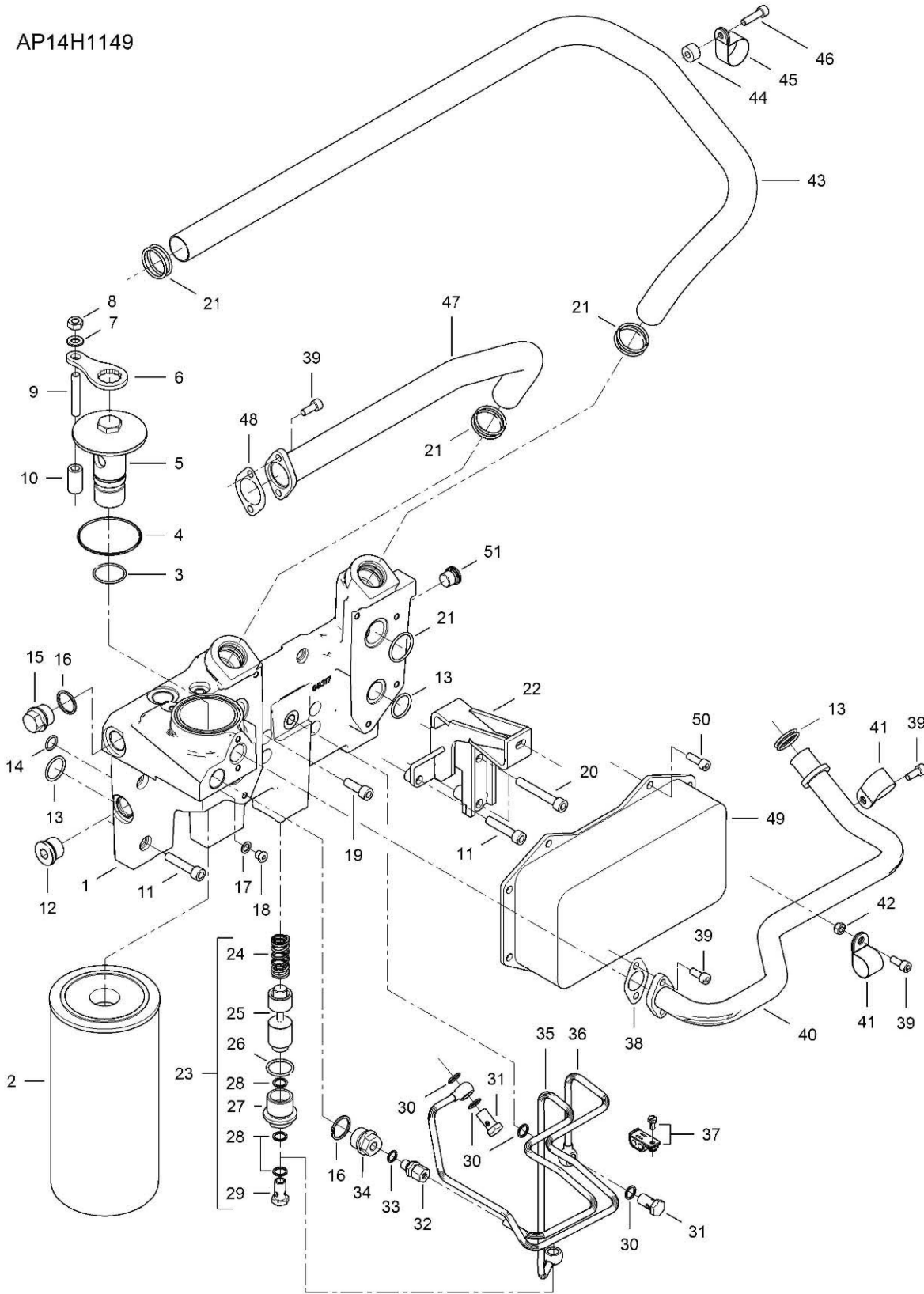


AP12H1010 - EXHAUST GAS RECIRCULATION (EGR)

ITEM	PART NUMBER	QTY	DESCRIPTION COMMENTS	TECHNICAL SPECIFICATION
44	V602084722	8	HOSE CLIP [A] INCLUDED IN ITEM 1	

1703484 - OIL COOLER AND FILTER

AP14H1149



01-0021

Copyright © 2016 AGCO Corporation

ENGINE, FUEL AND EXHAUST SYSTEM

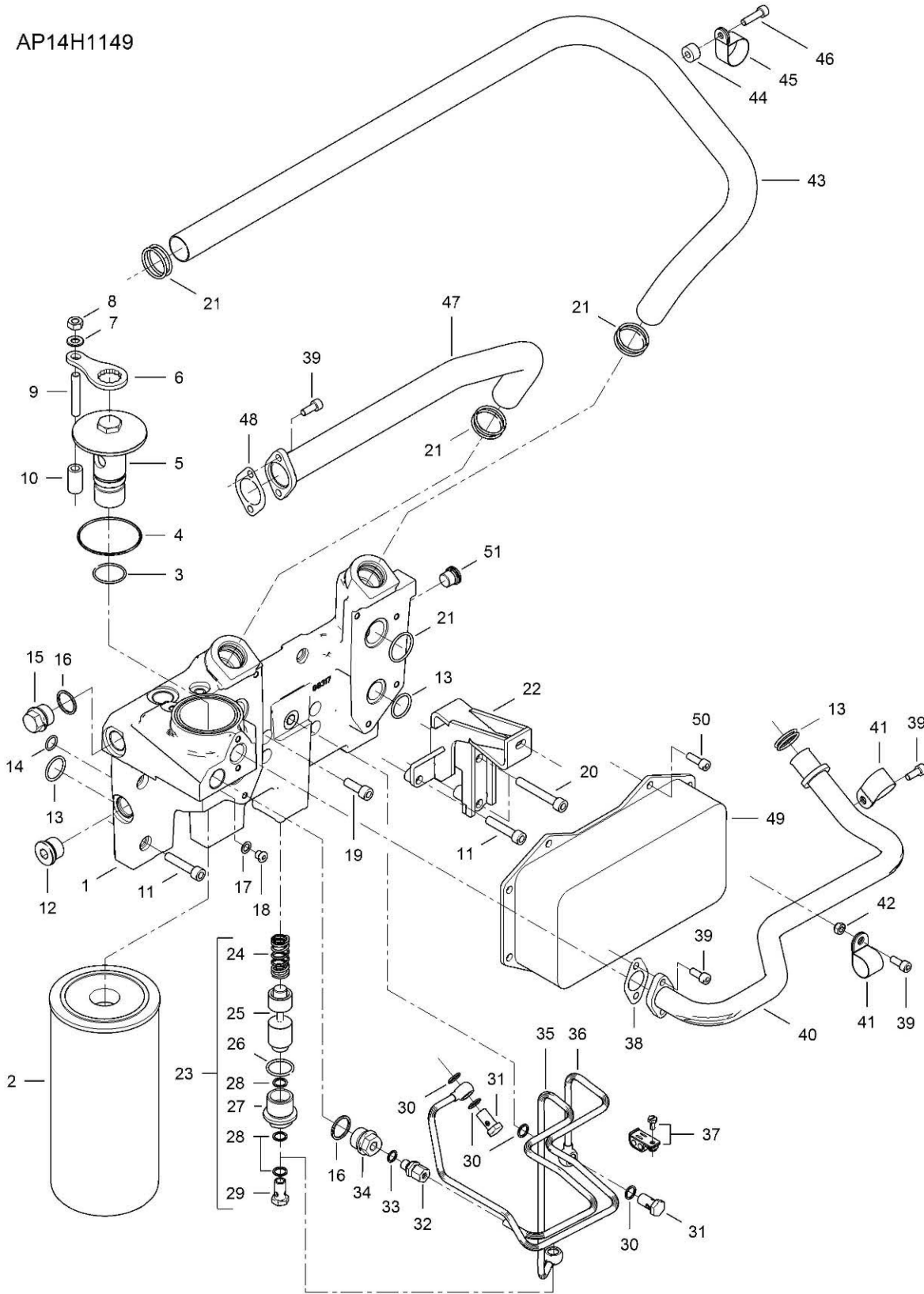
MT955E / MT965E / MT975E TRACTOR

1703484 - OIL COOLER AND FILTER

ITEM	PART NUMBER	QTY	DESCRIPTION COMMENTS	TECHNICAL SPECIFICATION
1	V837088317	1	ADAPTER	
2	V837081555	1	ENGINE OIL FILTER	
3	V614903725	1	O-RING	
4	V614707625	1	O-RING	
5	V837088323	1	BANJO BOLT	
6	V837088324	1	LOCKING PLATE	
7	V500151050	1	WASHER	
8	V504601000	1	NUT	
9	V546701850	1	STUD BOLT	
10	V836664012	1	SPACER PIECE	
11	V581705070	3	HEX SOCKET SCREW	
12	V640155127	6	PLUG	
13	V614902830	5	O-RING	
14	V614601524	1	O-RING	
15	V640305027	2	PLUG	
16	V615892732	4	SEALING WASHER	
17	V615871016	1	SEALING WASHER	
18	V640325110	1	PLUG	
19	V581705030	3	HEX SOCKET SCREW	
20	V581705110	2	HEX SOCKET SCREW	
21	V614903530	8	O-RING	
22	V837088339	1	BRACKET	
23	V837091122	1	OIL PRESSURE CONTROL VALVE	
24		1	NOT AVAILABLE AS SINGLE PART [A]	
25		1	NOT AVAILABLE AS SINGLE PART [A]	
26	V614602930	1	O-RING [A]	
27		1	NOT AVAILABLE AS SINGLE PART [A]	
28	V615881418	3	SEALING WASHER [A]	
29	V640435010	1	BANJO BOLT [A]	
30	V615881418	4	SEALING WASHER	
31	V640435010	2	BANJO BOLT	
32	V641086008	1	STRAIGHT FITTING	
33	V615881216	1	SEALING WASHER	
34	V837088332	1	UNION	
35	V837088330	1	OIL PIPE	
36	V837088331	1	OIL PIPE	
37	V837073721	2	BAND	
38	V836322190	1	GASKET	
39	V581804602	6	HEX SOCKET SCREW [A] INCLUDED IN ITEM 23	

1703484 - OIL COOLER AND FILTER

AP14H1149



01-0021

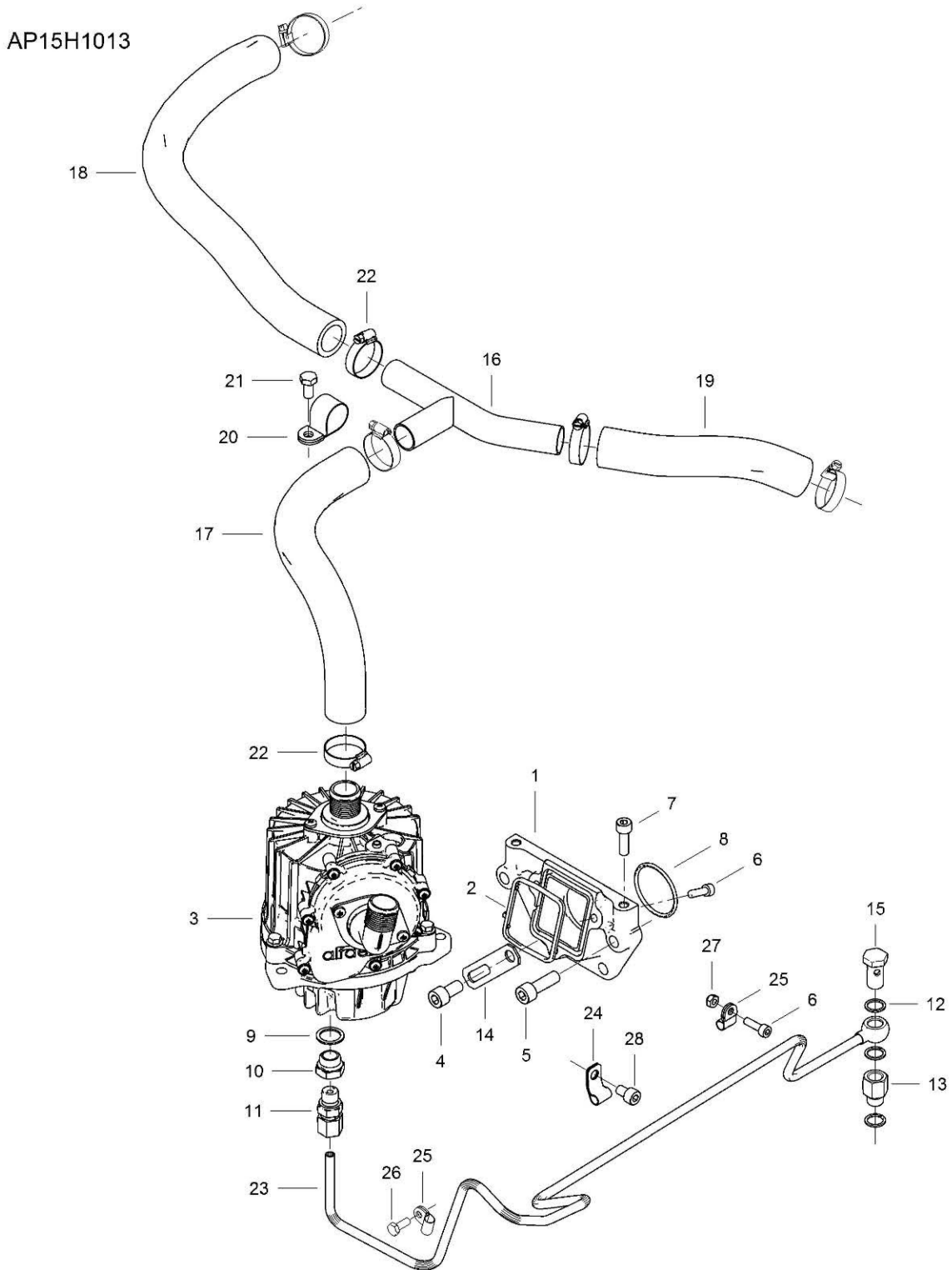
Copyright © 2016 AGCO Corporation

ENGINE, FUEL AND EXHAUST SYSTEM

MT955E / MT965E / MT975E TRACTOR

1703484 - OIL COOLER AND FILTER

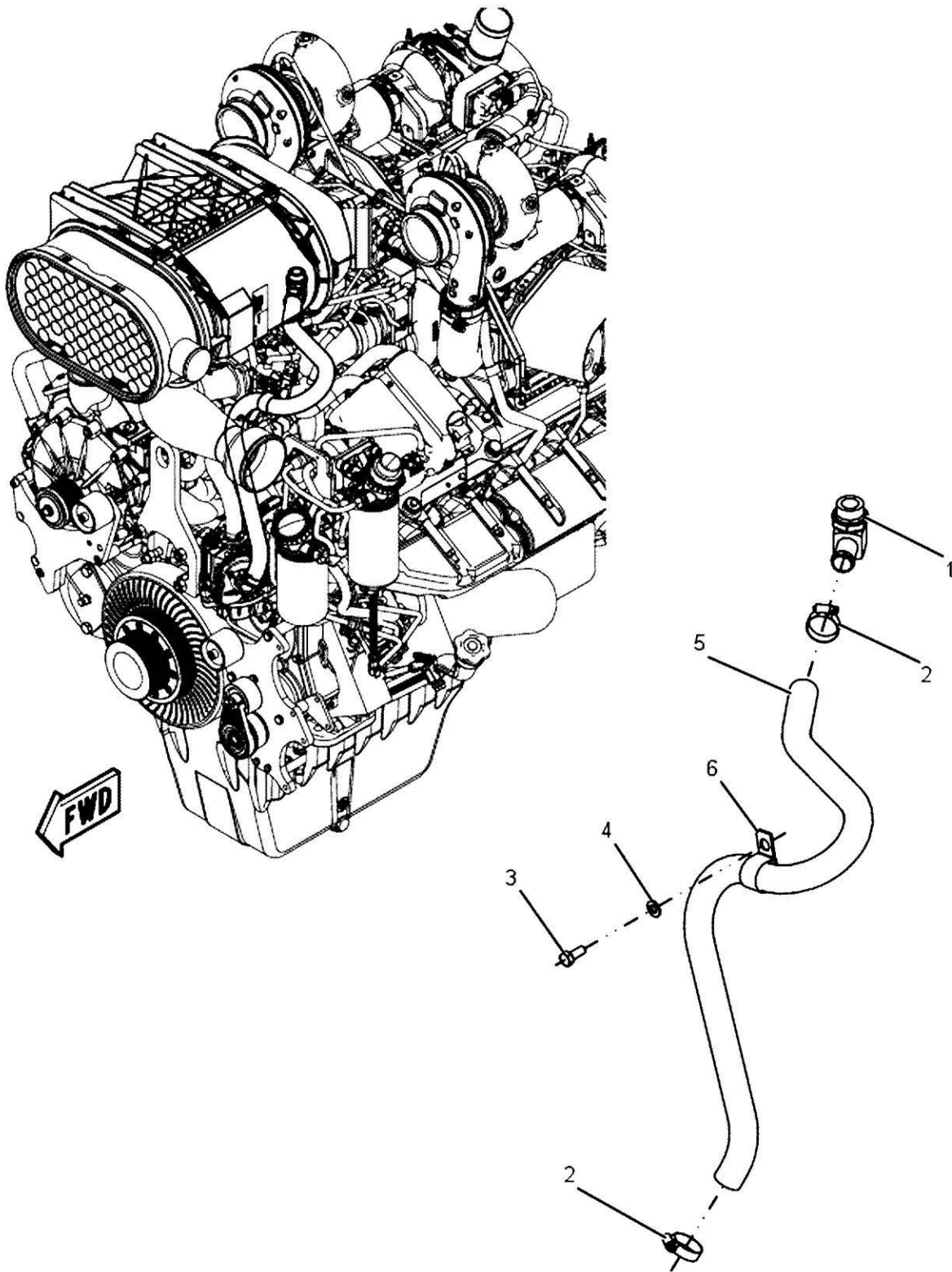
ITEM	PART NUMBER	QTY	DESCRIPTION COMMENTS	TECHNICAL SPECIFICATION
40	V837088325	1	OIL PIPE	
41	V602075528	2	HOSE CLIP	
42	V510600802	1	NUT	
43	V837088001	1	WATER PIPE	
44	V836117352	1	SPACER PIECE	
45	V602074635	1	HOSE CLIP	
46	V581804630	1	HEX SOCKET SCREW	
47	V837081804	1	WATER PIPE	
48	V836338201	1	GASKET	
49	V837081872	1	OIL COOLER	
50	V581804620	8	HEX SOCKET SCREW	
51	V640155118	1	PLUG	
			[A] INCLUDED IN ITEM 23	



AP15H1013 - CLOSED CRANKCASE VENTILATION (CCV)

ITEM	PART NUMBER	QTY	DESCRIPTION COMMENTS	TECHNICAL SPECIFICATION
1	V837081685	1	ADAPTER	
2	V837074132	1	GASKET	
3	V837081675	1	CCV FILTER	
4	V581805000	2	HEX SOCKET SCREW	
5	V581805040	2	HEX SOCKET SCREW	
6	V581804202	4	HEX SOCKET SCREW	
7	V581804620	2	HEX SOCKET SCREW	
8	V614604530	1	O-RING	
9	V615881824	1	SEALING WASHER	
10	V836119643	1	THREADED NIPPLE	
11	V641096008	1	STRAIGHT FITTING	
12	V615881418	3	SEALING WASHER	
13	V836336934	1	UNION	
14	V837088243	1	BRACKET	
15	V640435010	1	BANJO BOLT	
16	V837081921	1	FITTING	
17	V837081922	1	CCV HOSE	
18	V837081923	1	CCV HOSE	
19	V837081924	1	CCV HOSE	
20	V602074525	1	HOSE CLIP	
21	V528801360	1	HEX CAP SCREW	
22	V602078538	6	HOSE CLIP	
23	V837088326	1	OIL PIPE	
24	V836647689	1	SUPPORT	
25	V602071608	2	HOSE CLIP	
26	V528801062	1	HEX CAP SCREW	
27	V510600602	1	NUT	
28	V581804570	1	HEX SOCKET SCREW	

583404D1-2-

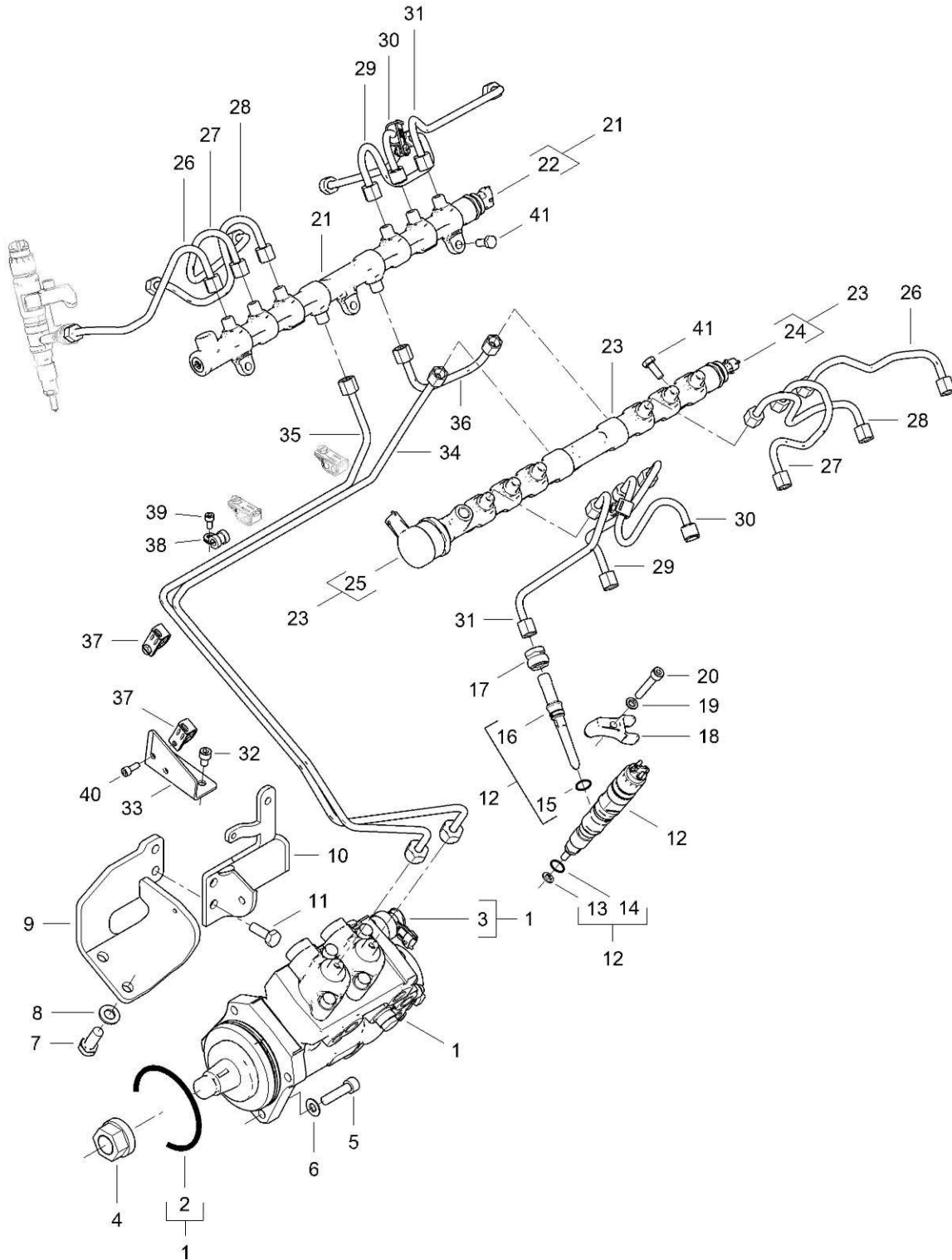


583404D1 - CCV INTAKE HOSE GROUP

ITEM	PART NUMBER	QTY	DESCRIPTION COMMENTS	TECHNICAL SPECIFICATION
1	WR25083	1	ELBOW FITTING	1" STOR X 1" OD, 90D
	400376X1	1	O-RING	29.74MM ID X 2.95MM
2	AG561213	2	HOSE CLAMP	13/16"-1-1/2" SAE 16, SS
3	400039X1	1	HEXAGONAL HEAD BOLT	M10 X 1.5 X 25MM, CL10.9
4	400287X1	1	FLAT WASHER	11MM X 21MM X 2.5MM
5	583403D1	1	FORMED HOSE	
6	CH8C-8533	1	CLIP	34.93MM ID

AP18H1016 - FUEL INJECTION SYSTEM

AP18H1016



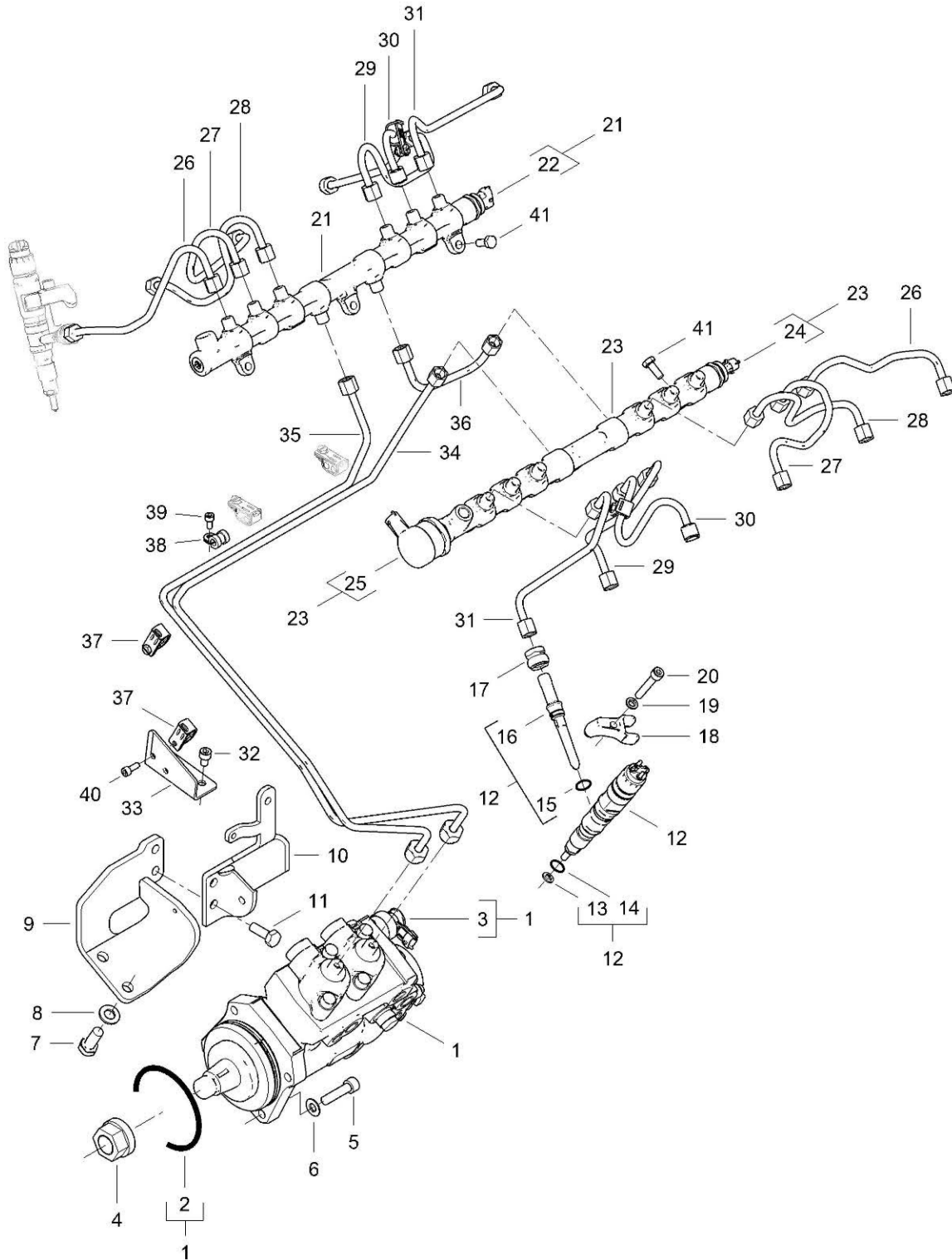
AP18H1016 - FUEL INJECTION SYSTEM

ITEM	PART NUMBER	QTY	DESCRIPTION COMMENTS	TECHNICAL SPECIFICATION
1	V837081636	1	HIGH PRESSURE INJECTION PUMP	
2	V837091113	1	O-RING [A]	
3	V837091083	1	VALVE [A]	
4	V837081784	1	NUT	
5	V581805050	4	HEX SOCKET SCREW	
6	V500151050	4	WASHER	
7	V528802210	1	HEX CAP SCREW	
8	V500051302	1	WASHER	
9	V837088237	1	SUPPORT	
10	V837088238	1	SUPPORT	
11	V528801810	2	HEX CAP SCREW	
12	V837079827	12	INJECTOR	
13	V837091049	12	SEALING RING [B]	
14	V837079978	12	O-RING [B]	
15	V837091050	12	O-RING [B]	
16		12	NOT AVAILABLE AS SINGLE PART [B]	
17	V837069268	12	NUT	
18	V837069007	12	FASTENER	
19	V837070121	12	WASHER	
20	V581704660	12	HEX SOCKET SCREW	
21	V837074768	1	RAIL PIPE	
22	V837079833	1	FUEL PRESSURE SENSOR	
23	V837074665	1	RAIL PIPE	
24	V837079833	1	FUEL PRESSURE SENSOR [C]	
25	V837079834	1	FUEL PRESSURE VALVE [C]	
26	V837074668	2	INJECTION PIPE	
27	V837074670	2	INJECTION PIPE	
28	V837074669	2	INJECTION PIPE	
29	V837074672	2	INJECTION PIPE	
30	V837088280	2	INJECTION PIPE	
31	V837074673	2	INJECTION PIPE	
32	V581804570	2	HEX SOCKET SCREW	
33	V837081911	1	BRACKET	
34	V837081611	1	FUEL PIPE	
35	V837081612	1	FUEL PIPE	
36	V837081613	1	FUEL PIPE	

[A] INCLUDED IN ITEM 1
[B] INCLUDED IN ITEM 12
[C] INCLUDED IN ITEM 23

AP18H1016 - FUEL INJECTION SYSTEM

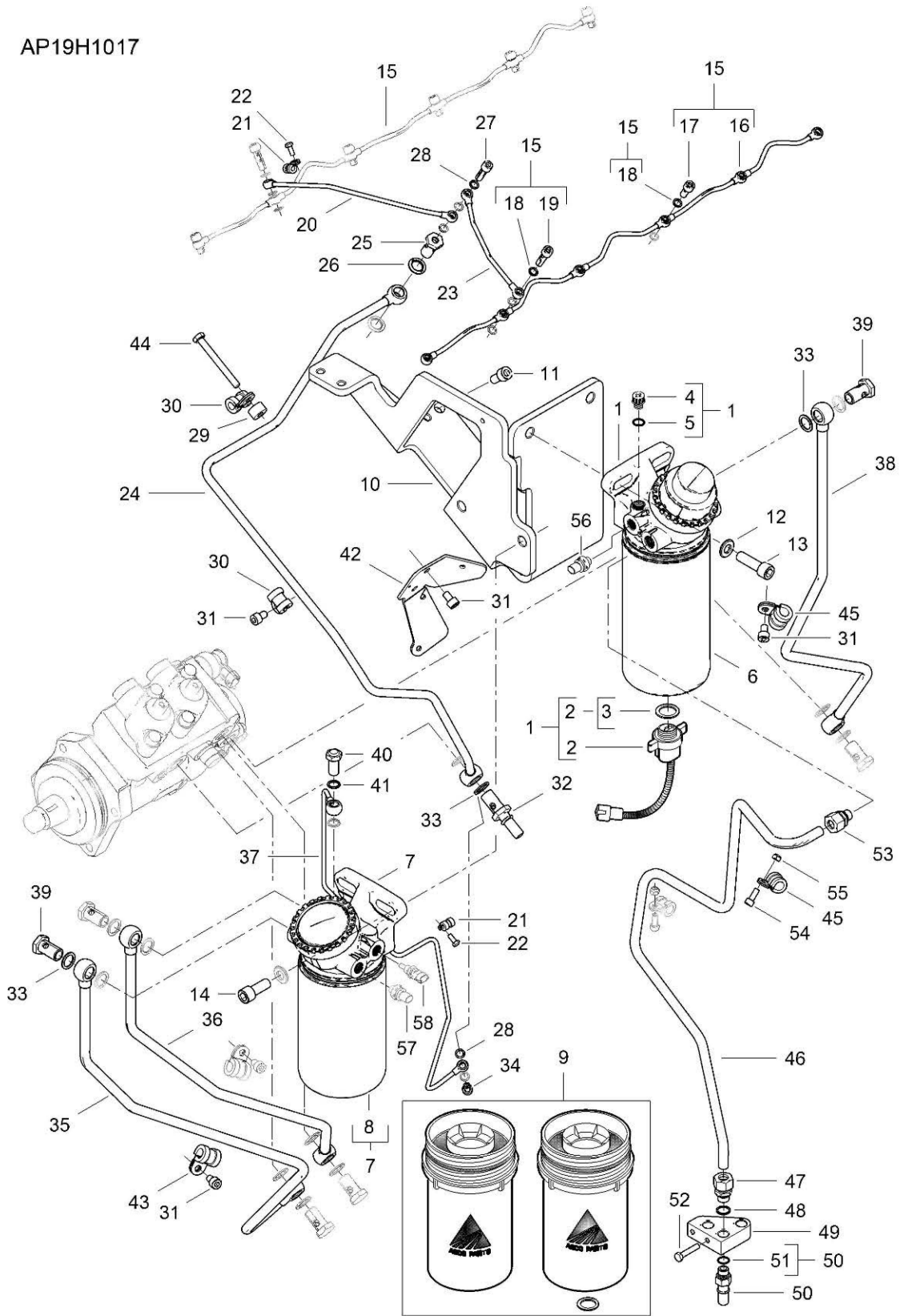
AP18H1016



AP18H1016 - FUEL INJECTION SYSTEM

ITEM	PART NUMBER	QTY	DESCRIPTION COMMENTS	TECHNICAL SPECIFICATION
37	V837073721	4	BAND	
38	V602074608	2	HOSE CLIP	
39	V581804170	4	HEX SOCKET SCREW	
40	V581804182	1	HEX SOCKET SCREW	
41	V528801380	6	HEX CAP SCREW	
			[A] INCLUDED IN ITEM 1	
			[B] INCLUDED IN ITEM 12	
			[C] INCLUDED IN ITEM 23	

AP19H1017

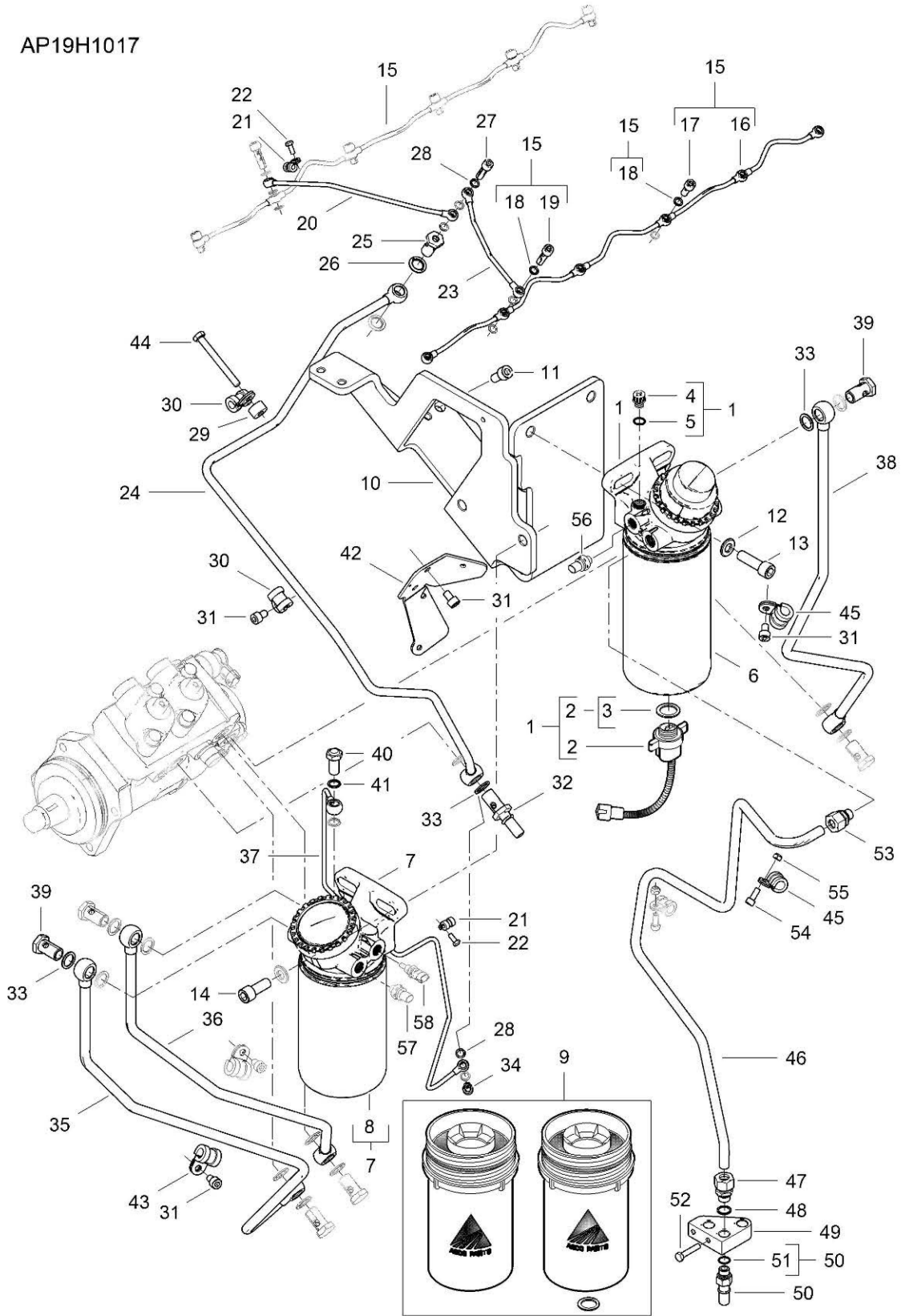


AP19H1017 - FUEL FILTERS

ITEM	PART NUMBER	QTY	DESCRIPTION COMMENTS	TECHNICAL SPECIFICATION
1	V837088251	1	PREFILTER	
2	V837074054	1	FUEL FILTER WATER ALARM [A]	
3	V837079695	1	SEAL [A] [B]	
4	V837079627	1	BLEED SCREW	
5	V837079628	1	O-RING	
6		1	NOT AVAILABLE AS SINGLE PART [A] [D]	
7	V837088246	1	MAIN FILTER	
8		1	NOT AVAILABLE AS SINGLE PART [C] [D]	
9	V837079848	1	FUEL FILTER KIT	
10	V837088147	1	FUEL FILTER BRACKET	
11	V581805000	4	HEX SOCKET SCREW	
12	V500151302	4	WASHER	
13	V581705450	2	HEX SOCKET SCREW	
14	V581705430	2	HEX SOCKET SCREW	
15	V837073763	2	INJECTOR OVERFLOW PIPE	
16	V837069027	2	INJECTOR OVERFLOW PIPE [E]	
17	V837073117	10	BANJO BOLT [E]	
18	V615870812	26	SEALING WASHER [E]	
19	V837073118	2	DUAL BANJO BOLT [E]	
20	V837081908	1	INJECTOR OVERFLOW PIPE	
21	V602070605	2	HOSE CLIP	
22	V528800752	2	HEX CAP SCREW	
23	V837081910	1	INJECTOR OVERFLOW PIPE	
24	V837081909	1	FUEL PIPE	
25	V836007420	1	BANJO BOLT	
26	V615881420	2	SEALING WASHER	
27	V837073118	1	DUAL BANJO BOLT	
28	V615870812	5	SEALING WASHER	
29	V836117352	1	SPACER PIECE	
30	V602060610	2	HOSE CLIP	
31	V581804570	6	HEX SOCKET SCREW	
32	V837081946	1	BANJO BOLT	
33	V615881622	14	SEALING WASHER	
34	V837073117	1	BANJO BOLT	

[A] INCLUDED IN ITEM 1
 [B] INCLUDED IN ITEM 2
 [C] INCLUDED IN ITEM 7
 [D] INCLUDED IN ITEM 9
 [E] INCLUDED IN ITEM 15

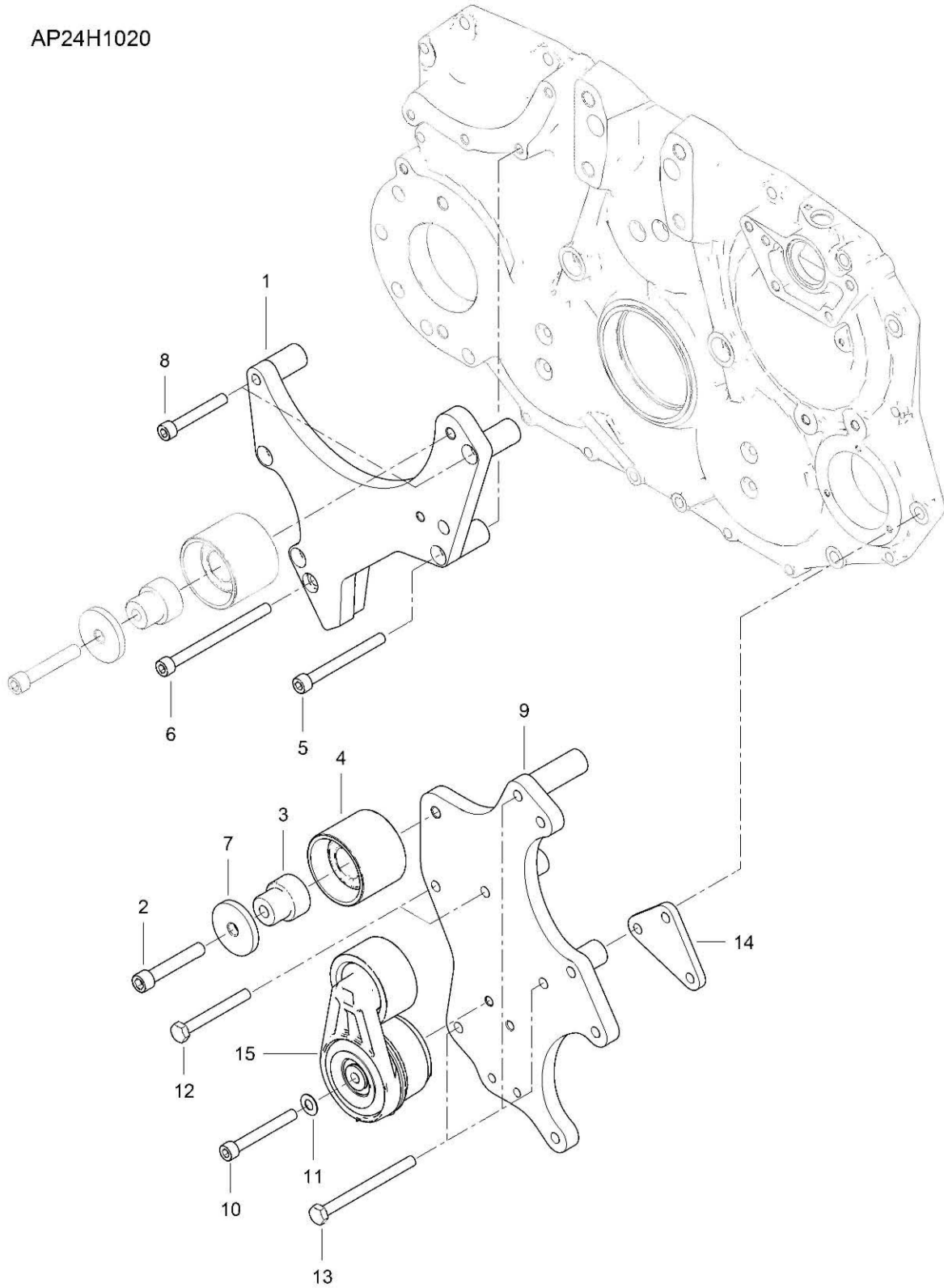
AP19H1017



AP19H1017 - FUEL FILTERS

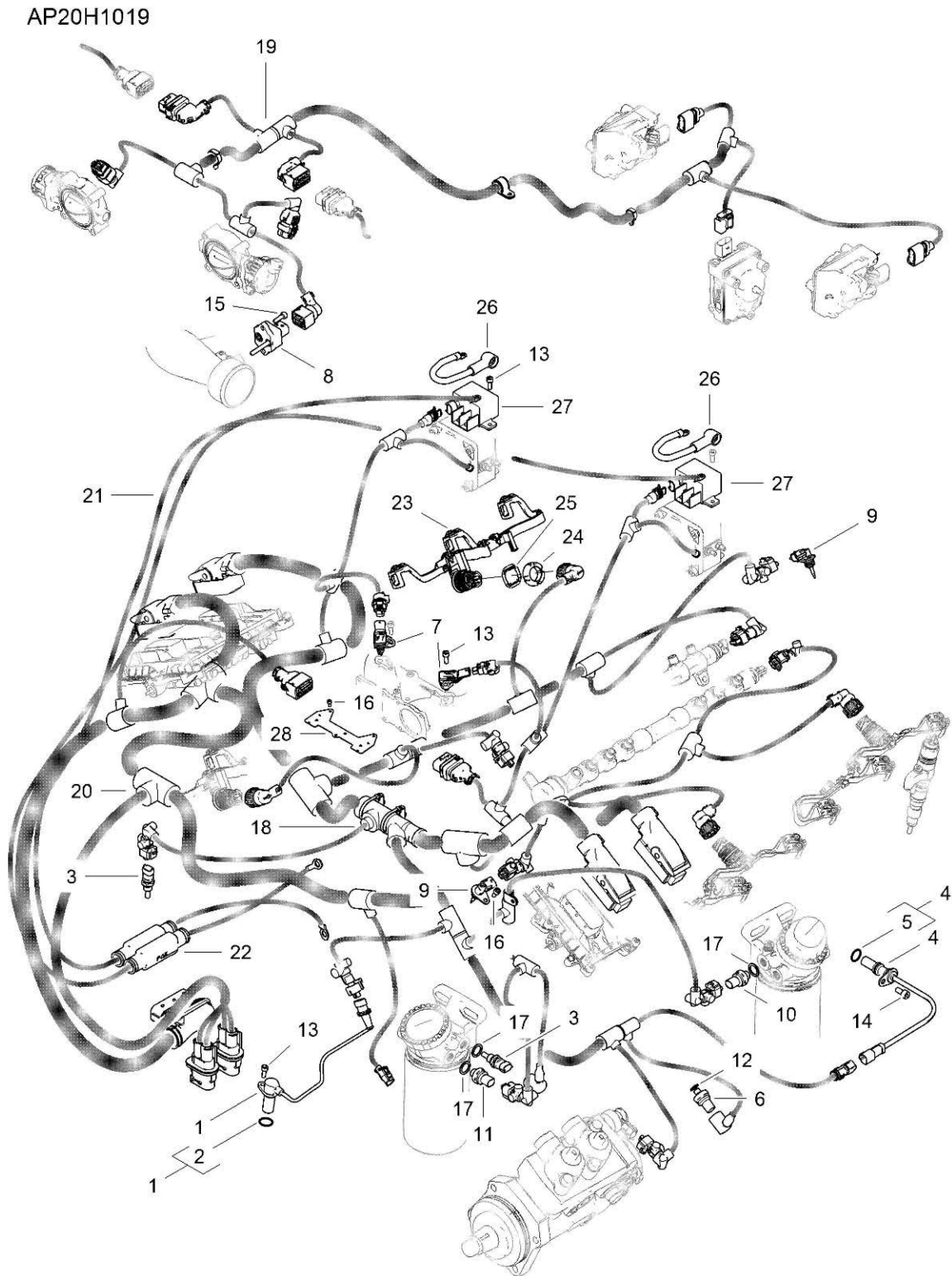
ITEM	PART NUMBER	QTY	DESCRIPTION COMMENTS	TECHNICAL SPECIFICATION
35	V837081916	1	FUEL PIPE	
36	V837081917	1	FUEL PIPE	
37	V837081918	1	FUEL PIPE	
38	V837088300	1	FUEL PIPE	
39	V640435012	5	BANJO BOLT	
40	V837074134	1	BANJO BOLT	
41	V615881216	2	SEALING WASHER	
42	V837088052	1	SUPPORT	
43	V602060612	2	HOSE CLIP	
44	V529801500	1	HEX CAP SCREW	
45	V602060615	3	HOSE CLIP	
46	V837088301	1	FUEL PIPE	
47	V641086015	1	STRAIGHT FITTING	
48	V615881822	1	SEALING WASHER	
49	V837088306	1	SPACER	
50	V837088081	1	UNION	
51		1	NOT AVAILABLE AS SINGLE PART	
52	V528801432	2	HEX CAP SCREW	
53	V837088307	1	STRAIGHT FITTING	
54	V581804600	2	HEX SOCKET SCREW	
55	V510600802	2	NUT	
56		1	SEE PAGE 01-0027	
57		1	SEE PAGE 01-0027	
58		1	SEE PAGE 01-0027	
			[A] INCLUDED IN ITEM 1	
			[B] INCLUDED IN ITEM 2	
			[C] INCLUDED IN ITEM 7	
			[D] INCLUDED IN ITEM 9	
			[E] INCLUDED IN ITEM 15	

AP24H1020



AP24H1020 - BELT TENSIONER

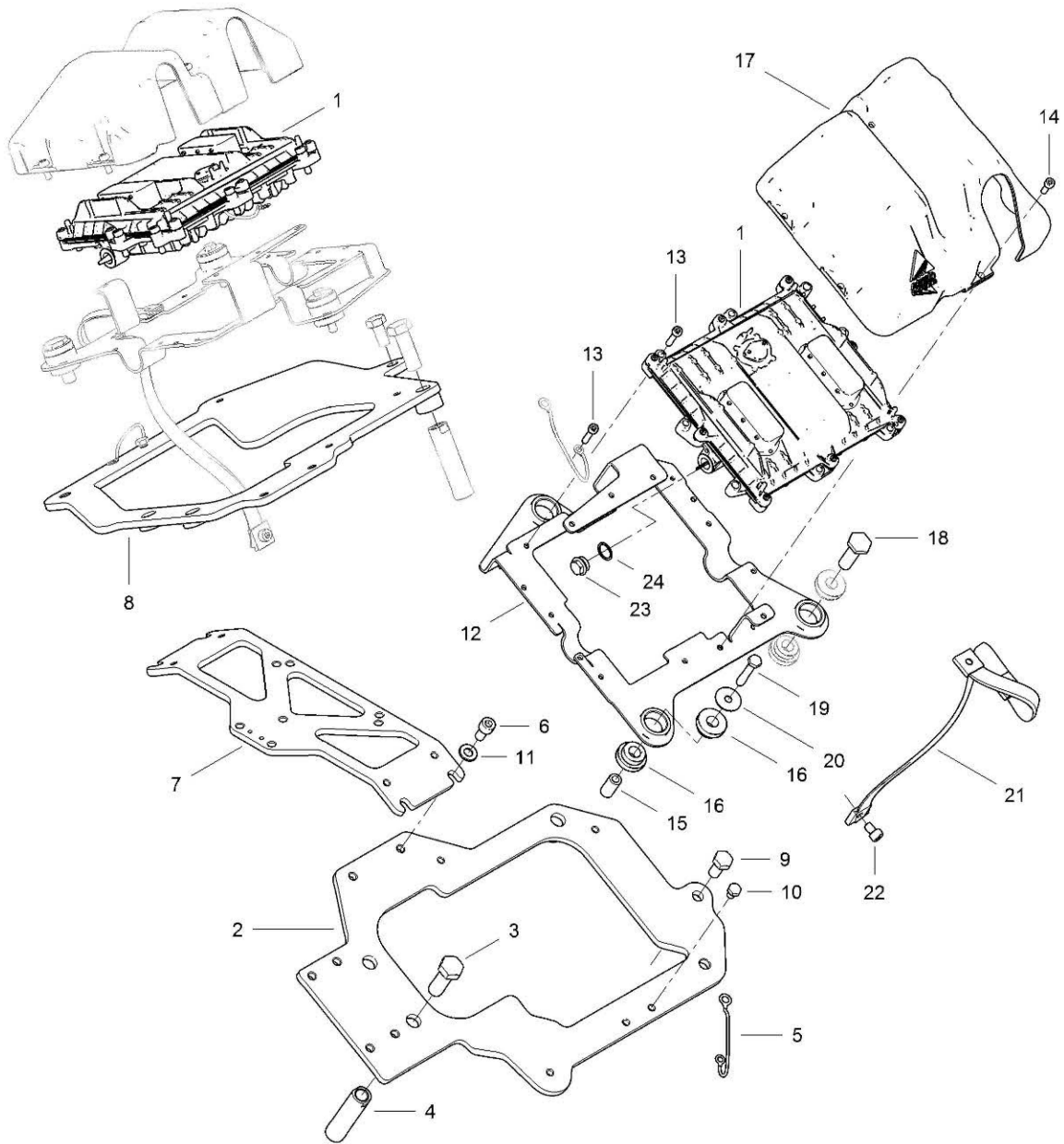
ITEM	PART NUMBER	QTY	DESCRIPTION COMMENTS	TECHNICAL SPECIFICATION
1	V837081871	1	BRACKET	
2	V581705510	2	HEX SOCKET SCREW	
3	V837073635	2	SHAFT	
4	V837073631	2	ROLLER	
5	V581705170	1	HEX SOCKET SCREW	
6	V581705200	1	HEX SOCKET SCREW	
7	V837073636	2	FLANGE	
8	V581705110	2	HEX SOCKET SCREW	
9	V837088153	1	ALTERNATOR BRACKET	
10	V581705130	1	HEX SOCKET SCREW	
11	V500951000	1	SPRING WASHER	
12	V529801920	2	HEX CAP SCREW	
13	V529701970	3	HEX CAP SCREW	
14	V837088154	1	SUPPORT	
15	V836667827	1	BELT TENSIONER	



AP20H1019 - ELECTRONIC ENGINE MANAGEMENT

ITEM	PART NUMBER	QTY	DESCRIPTION COMMENTS	TECHNICAL SPECIFICATION
1	V837070189	1	SPEED SENSOR	
2	V614601718	1	O-RING [A]	
3	V836667732	2	TEMPERATURE SENSOR	
4	V837069150	1	SPEED SENSOR	
5	V614601524	1	O-RING [B]	
6	V837070201	1	PRESSURE SENSOR	
7	V837084326	2	BOOST PRESSURE SENSOR	
8	V837074737	1	MASS AIR FLOW SENSOR (MAF)	
9	V837074507	2	TEMPERATURE SENSOR	
10	V837070209	1	PRESSURE SENSOR	
11	V837088235	1	PRESSURE SENSOR	
12	V615871014	1	SEALING WASHER	
13	V581804182	7	HEX SOCKET SCREW	
14	V581804582	1	HEX SOCKET SCREW	
15	V581804202	2	HEX SOCKET SCREW	
16	V581804170	5	HEX SOCKET SCREW	
17	V615881420	3	SEALING WASHER	
18	V837088314	1	ENGINE WIRE HARNESS	
19	V837088228	1	ENGINE WIRE HARNESS	
20	V837088315	1	ENGINE WIRE HARNESS	
21	V837088077	1	WIRE	
22	V836864541	1	FUSE 250A	
23	V837084141	4	ENGINE WIRE HARNESS	
24	V837073921	4	RING	
25	V837073922	4	LOCK WASHER	
26	V836866713	2	WIRE	
27	V837069047	2	SOLENOID	
28	V837088070	1	BRACKET	
			[A] INCLUDED IN ITEM 1	
			[B] INCLUDED IN ITEM 4	

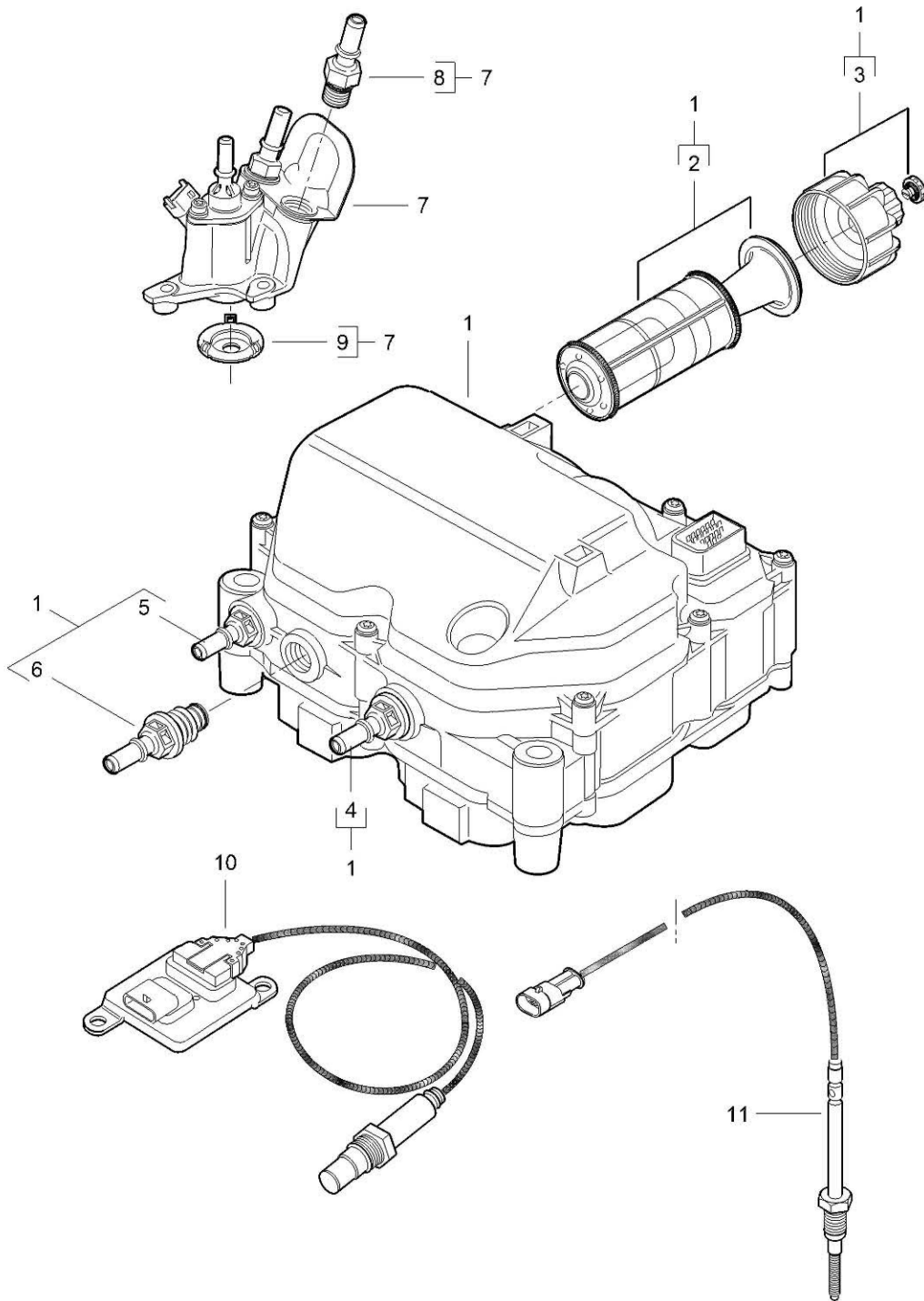
AP20H1018



AP20H1018 - ELECTRONIC ENGINE MANAGEMENT

ITEM	PART NUMBER	QTY	DESCRIPTION COMMENTS	TECHNICAL SPECIFICATION
1	V837074863	2	ENGINE CONTROL UNIT	
2	V837088231	1	ECU BRACKET	
3	V528803042	6	HEX CAP SCREW	
4	V836867567	4	LIFTING EYE EXTENSION	
5	V837070292	4	GROUND WIRE	
6	V581805000	4	HEX SOCKET SCREW	
7	V837088002	1	BRACKET	
8	V837088232	1	ECU BRACKET	
9	V528802200	2	HEX CAP SCREW	
10	V528801342	2	HEX CAP SCREW	
11	V500151050	4	WASHER	
12	V837084081	2	RETAINING PLATE	
13	V581804222	16	HEX SOCKET SCREW	
14	V581804182	12	HEX SOCKET SCREW	
15	V836855626	4	SPACER	
16	V837084129	12	DAMPER	
17	V837084080	2	COVER	
18	V837069056	2	SCREW	
19	V529801430	4	HEX CAP SCREW	
20	V500750842	4	WASHER	
21	V837088303	2	WIRE	
22	V581804570	2	HEX SOCKET SCREW	
23	V640325016	4	PLUG	
24	V615881622	4	SEALING WASHER	

AP26H1021

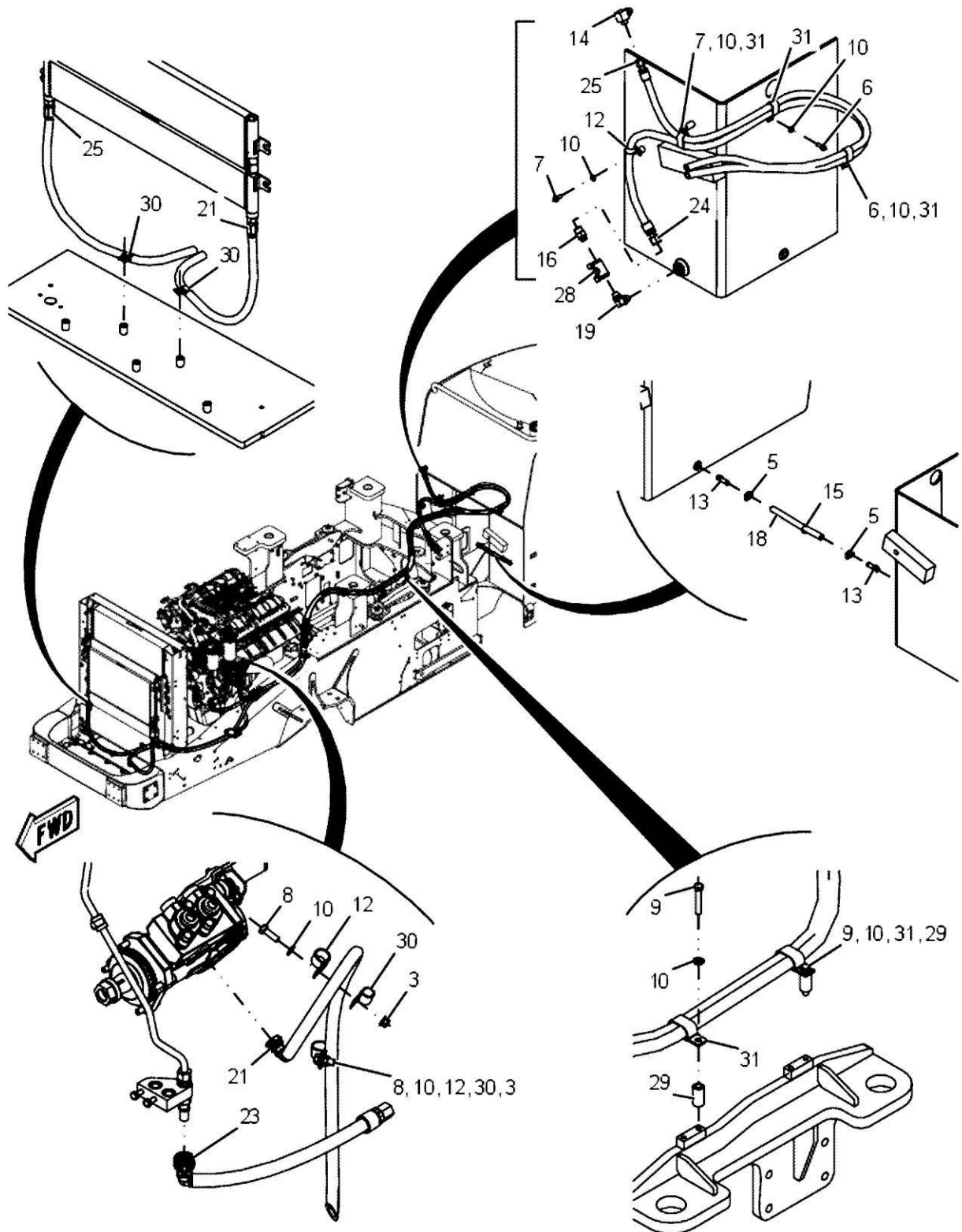


AP26H1021 - EXHAUST AFTERTREATMENT

ITEM	PART NUMBER	QTY	DESCRIPTION COMMENTS	TECHNICAL SPECIFICATION
1	V837084092	1	MODULE	
2	V837079423	1	DEF FILTER [A]	
3	V837079427	1	COVER [A]	
4	V837079428	1	DEF CONNECTOR [A]	
5	V837079429	1	DEF CONNECTOR [A]	
6	V837079430	1	DEF CONNECTOR [A]	
7	V837074663	1	MODULE	
8	V837079474	2	DEF CONNECTOR [B]	
9	V837079435	1	GASKET [B]	
10	V837084094	2	SENSOR	
11	V837084096	3	TEMPERATURE SENSOR	

[A] INCLUDED IN ITEM 1
[B] INCLUDED IN ITEM 7

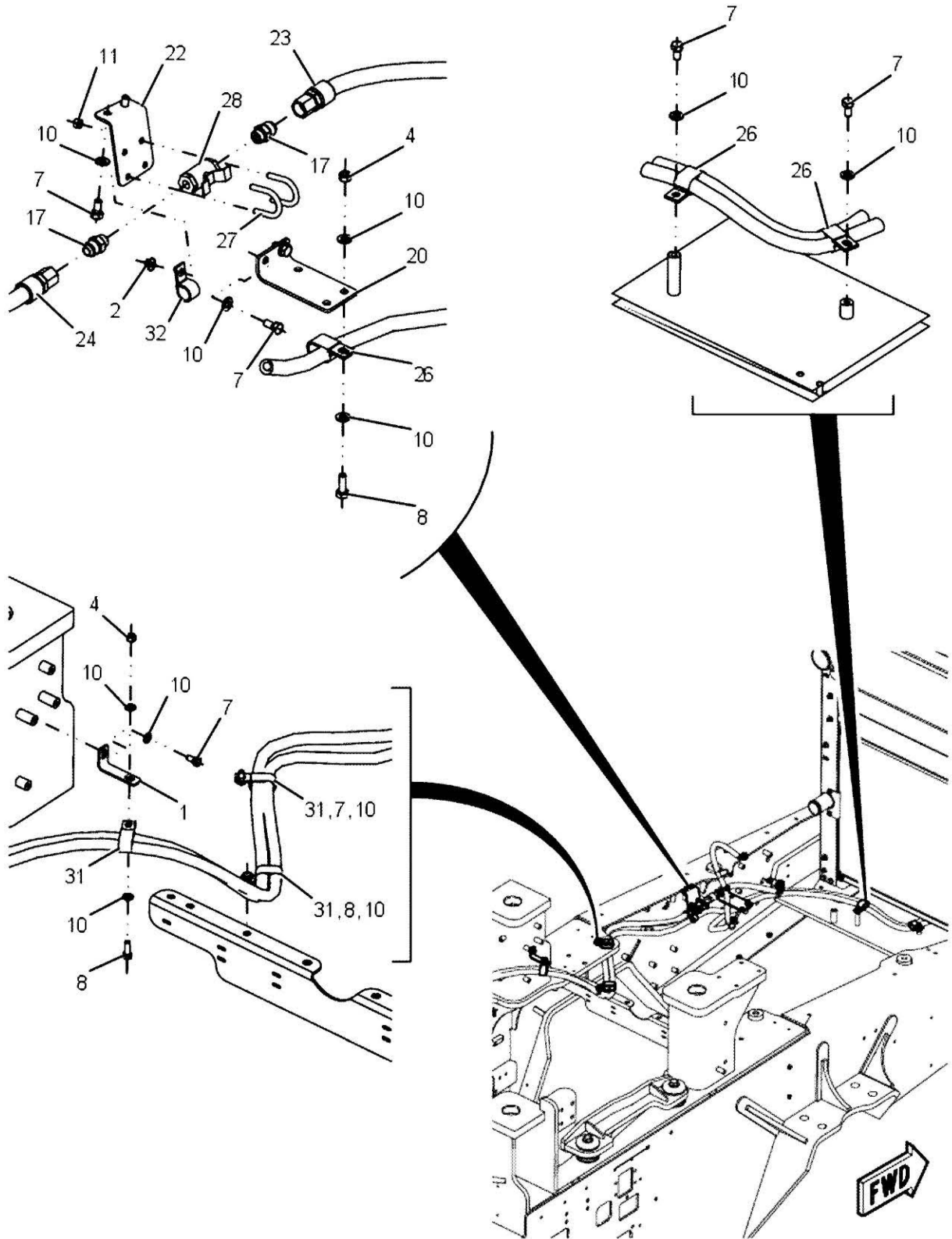
578831D1-4-01



578831D1 - FUEL LINES GROUP

ITEM	PART NUMBER	QTY	DESCRIPTION COMMENTS	TECHNICAL SPECIFICATION
	WR26067	-	ABRASION SLEEVE BULK: 500 MM NOT SHOWN	1.85" ID
3	WR55289	2	HEX FLANGE NUT	M10 X 1.5, CL10
5	AG561228	2	HOSE CLAMP	9/16"-1-1/16", SS
6	400039X1	2	HEXAGONAL HEAD BOLT	M10 X 1.5 X 25MM, CL10.9
7	400040X1	10	HEXAGONAL HEAD BOLT	M10 X 1.5 X 20MM, CL10.9
8	400058X1	5	HEXAGONAL HEAD BOLT	M10 X 1.5 X 30MM
9	400239X1	2	HEXAGONAL HEAD BOLT	M10 X 1.5 X 60MM, CL10.9
10	400287X1	21	FLAT WASHER	11MM X 21MM X 2.5MM
12	400688X1	3	P-CLIP	25.4MM ID
13	401106X1	2	ADAPTER FITTING	-8 M STOR -10 BARB
	CH8L-2786	1	O-RING SEAL	16.36 X 2.21
14	401956X1	1	CONNECTOR	90 DEG
	401952X1	1	O-RING	12.42MM ID X 1.78MM
	CH8L-2786	1	O-RING SEAL	16.36 X 2.21
15	402294X1	1	CABLE TIE	390MM X 7.6MM
16	402748X1	1	ADAPTOR FITTING	5/8" ORFS X 1/2" STOR
	CH8L-2746	1	O-RING SEAL	15.61 X 1.78
	CH8L-2786	1	O-RING SEAL	16.36 X 2.21
18	503756D1	-	BULK FUEL HOSE BULK: 385 MM	15.88MM ID
19	509382D1	1	ELBOW	90D-ADJ-8M STOR VITON
	CH8L-2786	2	O-RING SEAL	16.36 X 2.21
21	567506D1	1	FUEL LINE	-8 X 3027MM
23	568299D1	1	FUEL LINE	-10 X 428MM
24	578485D1	1	HYDRAULIC HOSE	15.88MM X 5511MM
25	578486D1	1	HYDRAULIC HOSE	12.7MM X 7403MM
28	CH206-0325	2	BALL VALVE	
29	CH215-6489	2	SPACER	12MM ID X 22MM OD X 40MM
30	CH3S-8664	4	CLIP	19.05 ID
31	CH6D-1641	8	P-CLIP	2X 24MM ID

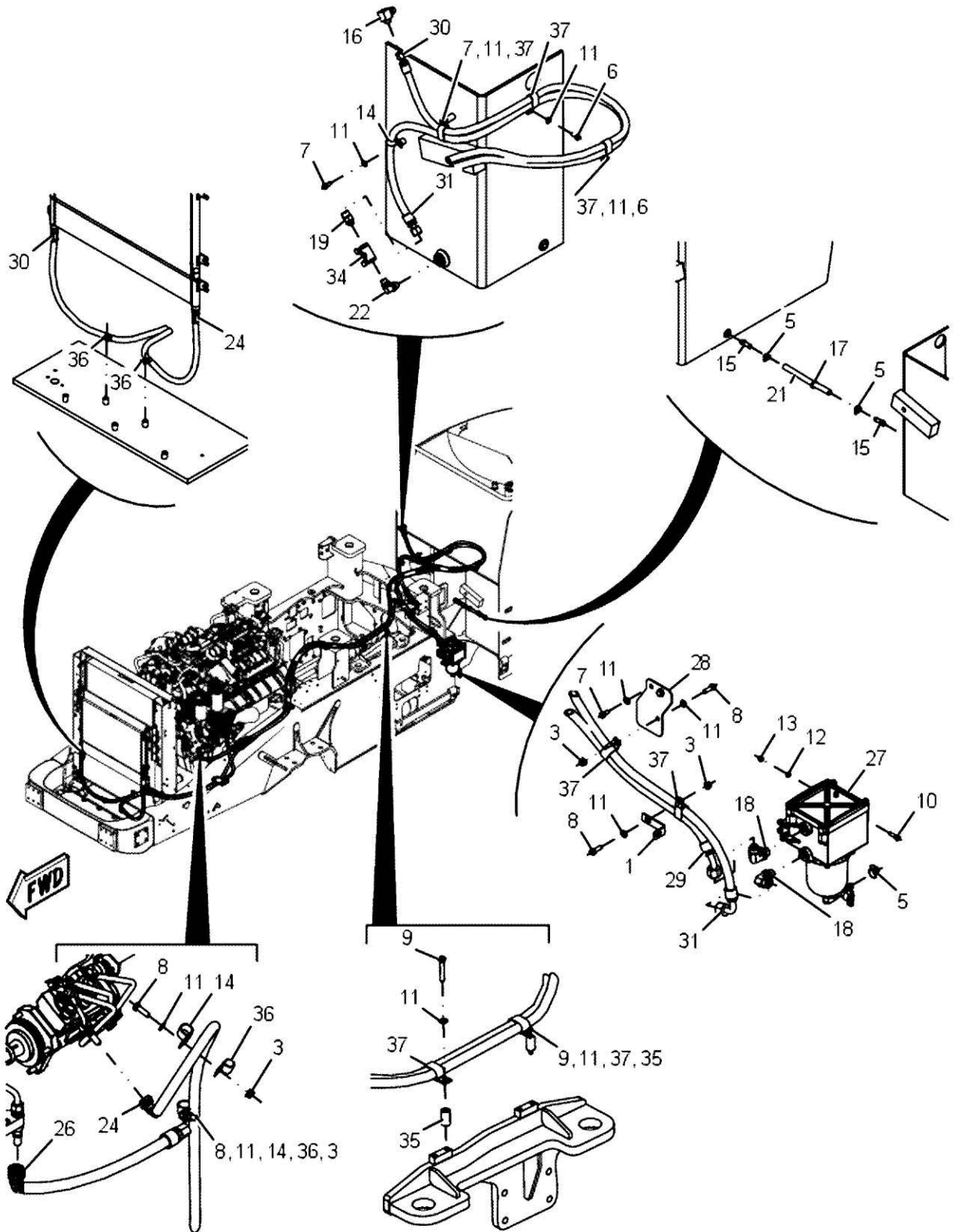
578831D1-4-02



578831D1 - FUEL LINES GROUP

ITEM	PART NUMBER	QTY	DESCRIPTION COMMENTS	TECHNICAL SPECIFICATION
1	215-8051	1	BRACKET	
2	WR55280	1	HEX FLANGE NUT	M8 X 1.25
4	7774664	2	HEX NUT	M10 X 1.5
7	400040X1	10	HEXAGONAL HEAD BOLT	M10 X 1.5 X 20MM, CL10.9
8	400058X1	5	HEXAGONAL HEAD BOLT	M10 X 1.5 X 30MM
10	400287X1	21	FLAT WASHER	11MM X 21MM X 2.5MM
11	400340X1	3	HEX NUT	M8 X 1.25MM X 13MM
17	402755X1	2	ADAPTOR FITTING	1/2" STOR X 5/8" JIC
	CH8L-2786	1	O-RING SEAL	16.36 X 2.21
20	555463D2	1	BRACKET	
22	568298D2	1	BRACKET	
23	568299D1	1	FUEL LINE	-10 X 428MM
24	578485D1	1	HYDRAULIC HOSE	15.88MM X 5511MM
26	CH100-4336	3	P-CLIP	20.62MM ID, DOUBLE
27	CH151-9989	2	CLAMP	
28	CH206-0325	2	BALL VALVE	
31	CH6D-1641	8	P-CLIP	2X 24MM ID
32	CH6D-4244	1	P-CLIP	

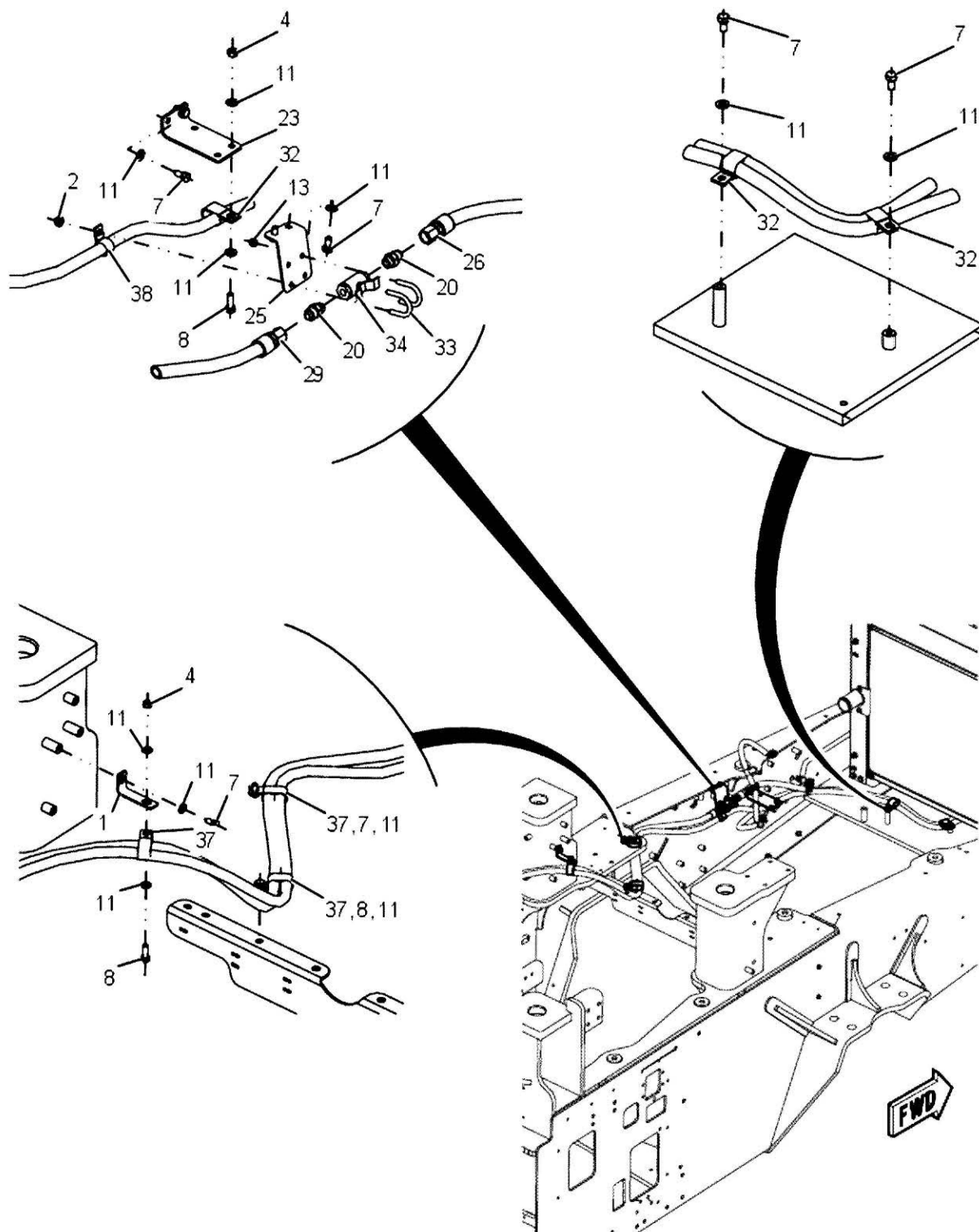
578884D1-4-01



578884D1 - FUEL LINES GROUP - FUEL WATER SEPARATOR FILTER ASSEMBLY

ITEM	PART NUMBER	QTY	DESCRIPTION COMMENTS	TECHNICAL SPECIFICATION
	WR26067	-	ABRASION SLEEVE BULK: 500 MM NOT SHOWN	1.85" ID
1	215-8051	2	BRACKET	
3	WR55289	4	HEX FLANGE NUT	M10 X 1.5, CL10
5	AG561228	2	HOSE CLAMP	9/16"-1-1/16", SS
6	400039X1	2	HEXAGONAL HEAD BOLT	M10 X 1.5 X 25MM, CL10.9
7	400040X1	12	HEXAGONAL HEAD BOLT	M10 X 1.5 X 20MM, CL10.9
8	400058X1	7	HEXAGONAL HEAD BOLT	M10 X 1.5 X 30MM
9	400239X1	2	HEXAGONAL HEAD BOLT	M10 X 1.5 X 60MM, CL10.9
10	400245X1	4	HEXAGONAL HEAD BOLT	M8 X 1.25 X 30MM, CL10.9
11	400287X1	25	FLAT WASHER	11MM X 21MM X 2.5MM
12	400339X1	4	FLAT WASHER	9MM X 16MM X 2MM
13	400340X1	7	HEX NUT	M8 X 1.25MM X 13MM
14	400688X1	3	P-CLIP	25.4MM ID
15	401106X1	2	ADAPTER FITTING	-8 M STOR -10 BARB
	CH8L-2786	1	O-RING SEAL	16.36 X 2.21
16	401956X1	1	CONNECTOR	90 DEG
	401952X1	1	O-RING	12.42MM ID X 1.78MM
	CH8L-2786	1	O-RING SEAL	16.36 X 2.21
17	402294X1	1	CABLE TIE	390MM X 7.6MM
18	402554X1	2	ELBOW	90 DEG 12MOR X -12MJIC
	400676X1	1	O-RING SEAL	23.47MM ID X 2.95MM DIA
19	402748X1	1	ADAPTOR FITTING	5/8" ORFS X 1/2" STOR
	CH8L-2786	1	O-RING SEAL	16.36 X 2.21
	CH8L-2746	1	O-RING SEAL	15.61 X 1.78
21	503756D1	-	BULK FUEL HOSE BULK: 385 MM	15.88MM ID
22	CH8L-2786	2	O-RING SEAL	16.36 X 2.21
	CH8L-2786	1	O-RING SEAL	16.36 X 2.21
	509382D1	1	ELBOW	90D-ADJ-8M STOR VITON
24	567506D1	1	FUEL LINE	-8 X 3027MM
26	568299D1	1	FUEL LINE	-10 X 428MM
27	569656D1	1	FUEL FILTER SEE PAGE 01-0034	
28	573473D1	1	BRACKET	
29	573474D1	1	FUEL LINE	16MM X 3474MM
30	578486D1	1	HYDRAULIC HOSE	12.7MM X 7403MM
31	578987D1	1	HYDRAULIC HOSE	15.88MM X 3587.1MM
34	CH206-0325	2	BALL VALVE	
35	CH215-6489	2	SPACER	12MM ID X 22MM OD X 40MM
36	CH3S-8664	4	CLIP	19.05 ID
37	CH6D-1641	10	P-CLIP	2X 24MM ID

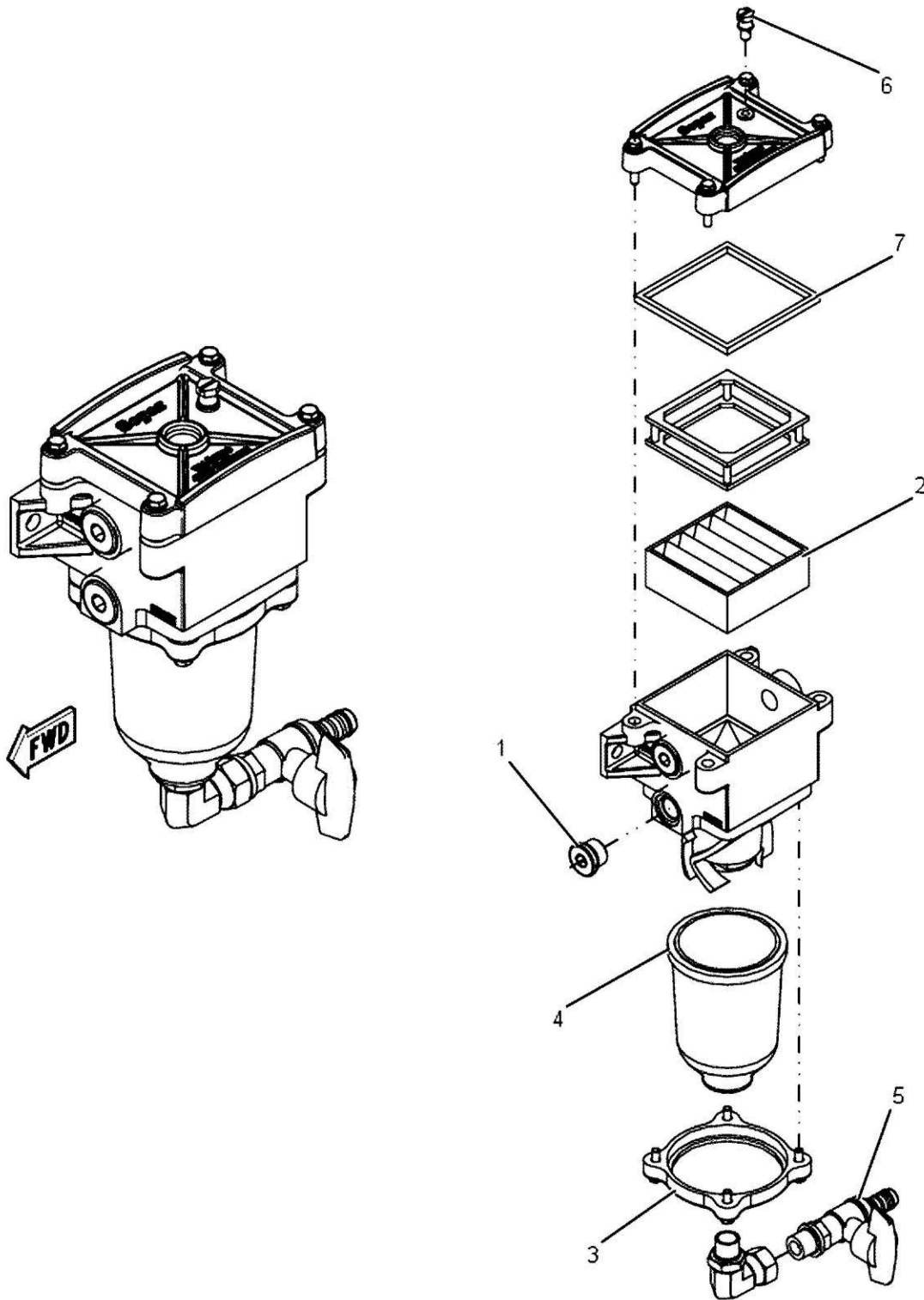
578884D1-4-02



578884D1 - FUEL LINES GROUP - FUEL WATER SEPARATOR FILTER ASSEMBLY

ITEM	PART NUMBER	QTY	DESCRIPTION COMMENTS	TECHNICAL SPECIFICATION
1	215-8051	2	BRACKET	
2	WR55280	1	HEX FLANGE NUT	M8 X 1.25
4	7774664	3	HEX NUT	M10 X 1.5
7	400040X1	12	HEXAGONAL HEAD BOLT	M10 X 1.5 X 20MM, CL10.9
8	400058X1	7	HEXAGONAL HEAD BOLT	M10 X 1.5 X 30MM
11	400287X1	25	FLAT WASHER	11MM X 21MM X 2.5MM
13	400340X1	7	HEX NUT	M8 X 1.25MM X 13MM
20	402755X1	2	ADAPTOR FITTING	1/2" STOR X 5/8" JIC
	CH8L-2786	1	O-RING SEAL	16.36 X 2.21
23	555463D2	1	BRACKET	
25	568298D2	1	BRACKET	
26	568299D1	1	FUEL LINE	-10 X 428MM
29	573474D1	1	FUEL LINE	16MM X 3474MM
32	CH100-4336	3	P-CLIP	20.62MM ID, DOUBLE
33	CH151-9989	2	CLAMP	
34	CH206-0325	2	BALL VALVE	
37	CH6D-1641	10	P-CLIP	2X 24MM ID
38	CH6D-4244	1	P-CLIP	

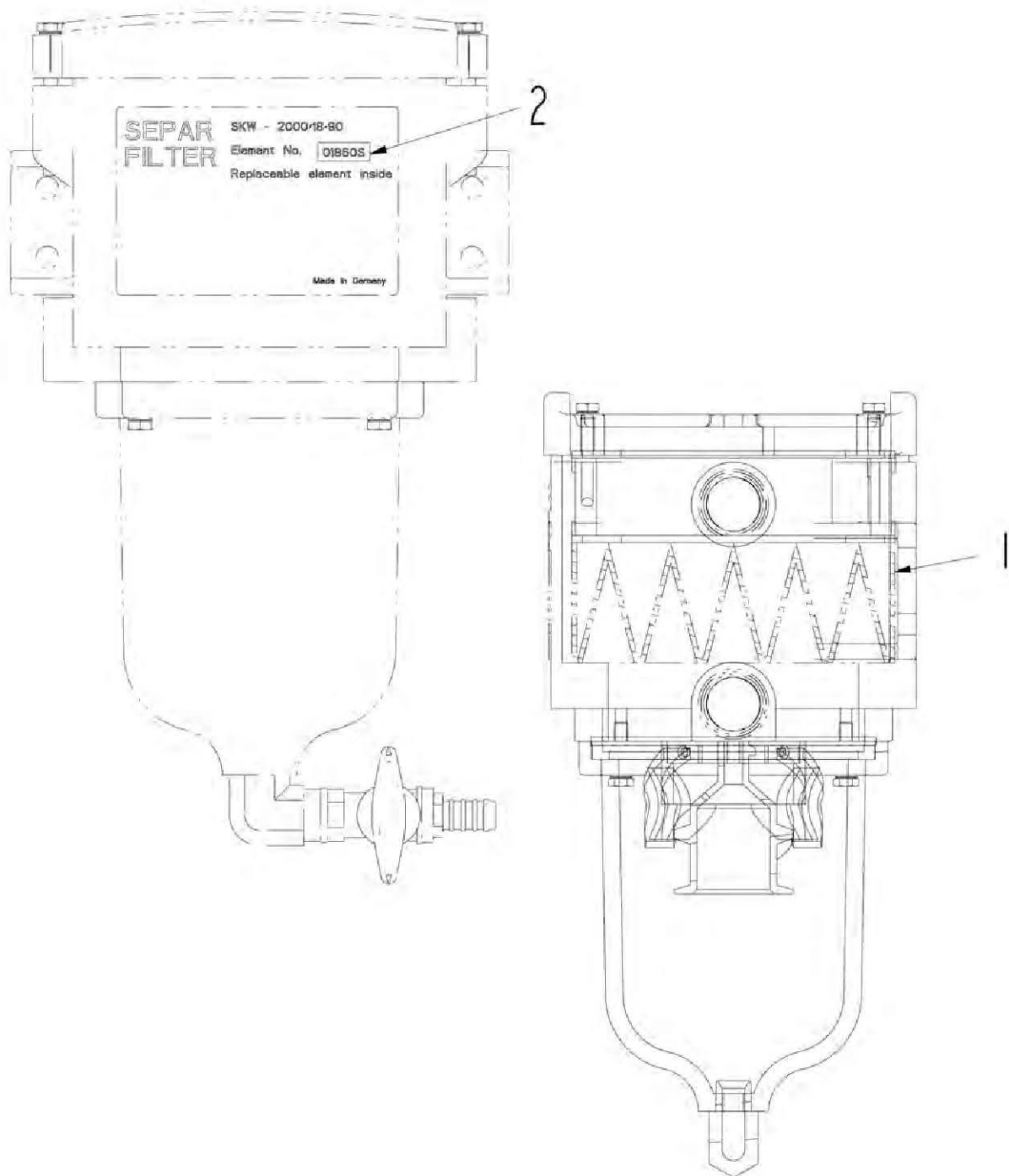
569656D1-4



569656D1 - FUEL WATER SEPARATOR FILTER ASSEMBLY

ITEM	PART NUMBER	QTY	DESCRIPTION COMMENTS	TECHNICAL SPECIFICATION
1	401336X1	4	PLUG WITH O-RING	20 ORFS (2), 90D
	400416X1	1	O-RING REPLACEMENT	23.47MM ID X 2.95MM
2	575045D1	1	FILTER ELEMENT	60 MICRON
3	593600D1	1	RETAINING SPRING	
4	593601D1	1	GASKET	BOWL
5	593602D1	1	DRAIN VALVE	
6	593603D1	1	GASKET	SCREW
7	593604D1	1	COVER GASKET	LID
	599693D1	1	FILTER BOWL NOT SHOWN	FWS

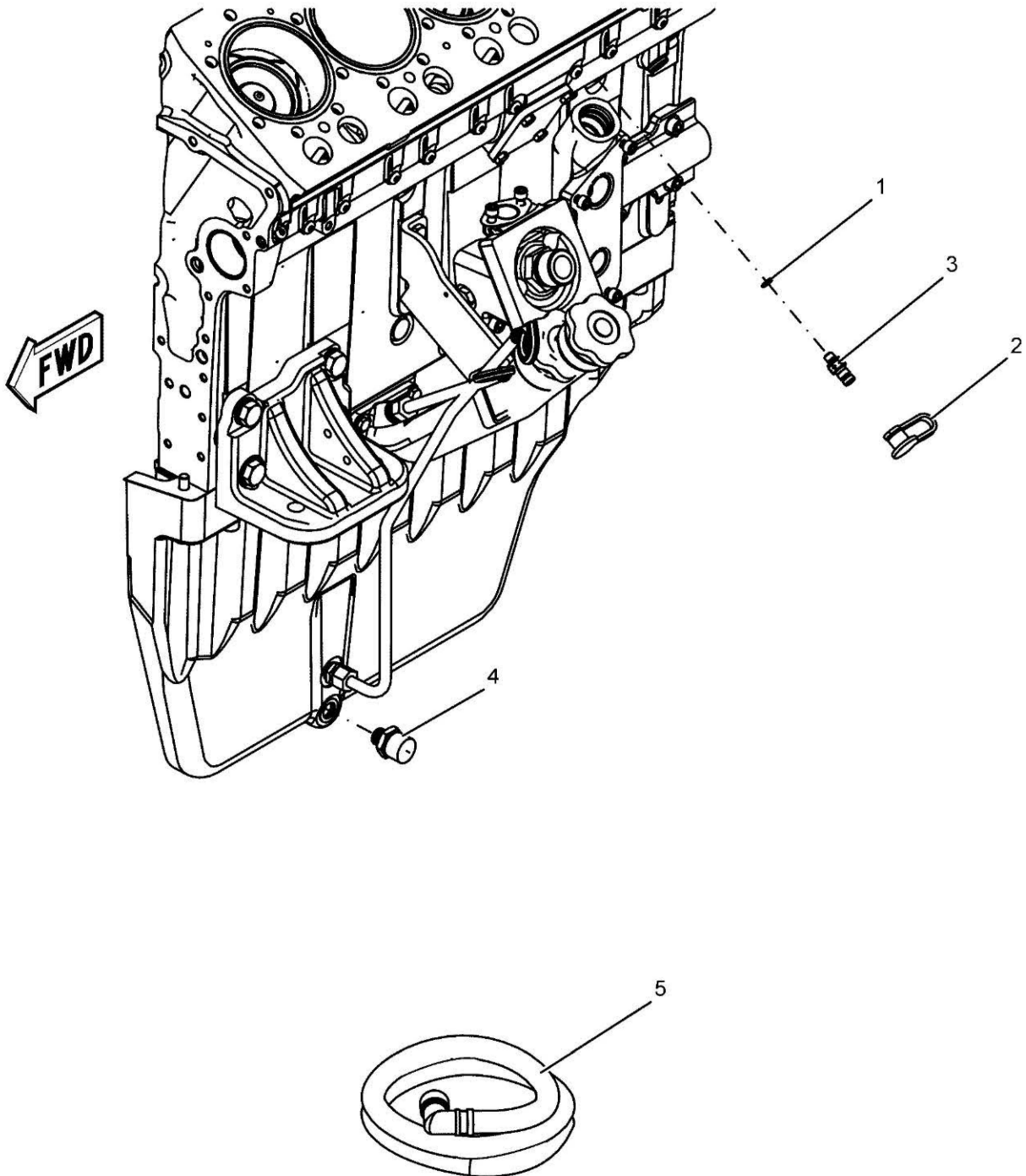
597813D1-1



597813D1 - FUEL WATER SEPARATOR FILTER ASSEMBLY

ITEM	PART NUMBER	QTY	DESCRIPTION COMMENTS	TECHNICAL SPECIFICATION
1	575045D1	1	FILTER ELEMENT	60 MICRON
2	597743D1	1	DECAL	FWS
	NS	1	NON-SERVICEABLE PART INSTRUCTIONS NOT SHOWN	
	NS	REF	NON-SERVICEABLE PART INSTRUCTIONS NOT SHOWN	
	NS	REF	NON-SERVICEABLE PART INSTRUCTIONS NOT SHOWN	

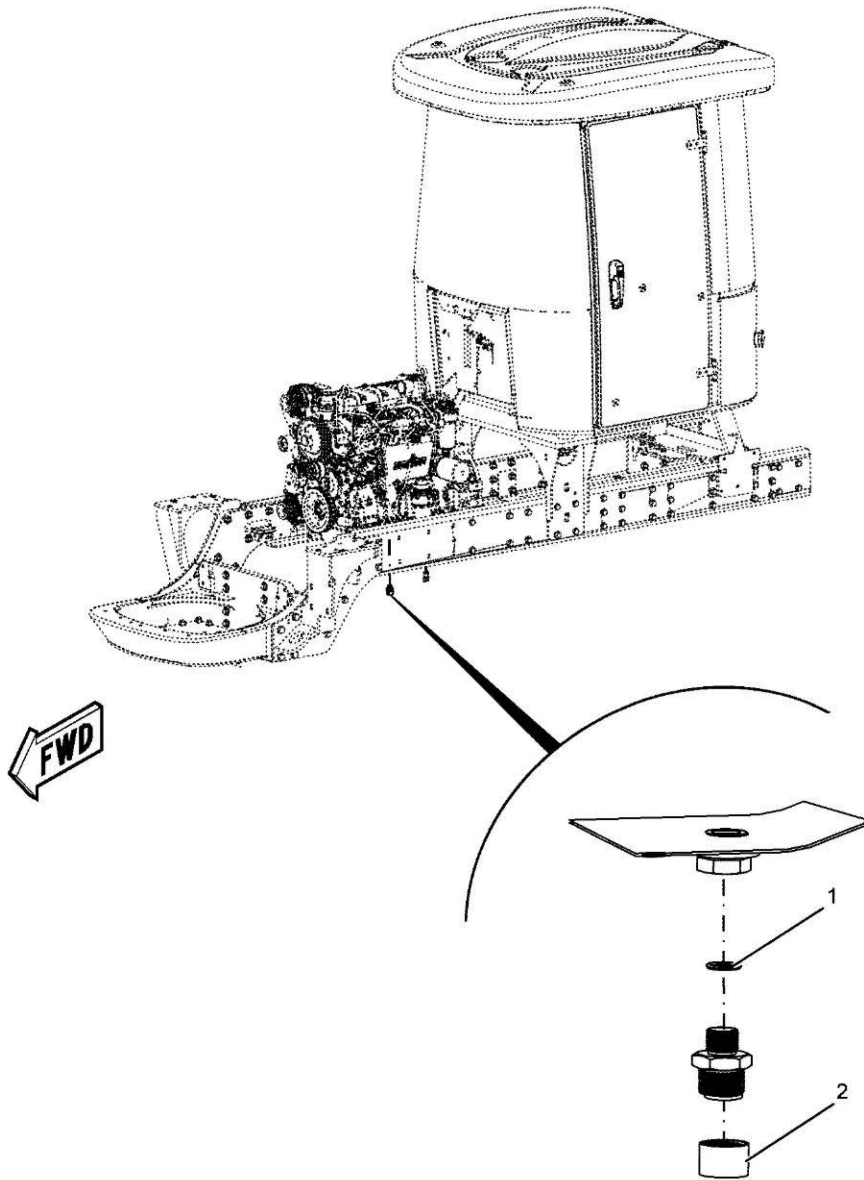
553158D1-5-AA485-



553158D1 - ENGINE OIL SERVICE GROUP

ITEM	PART NUMBER	QTY	DESCRIPTION COMMENTS	TECHNICAL SPECIFICATION
	615881824	1	SEALING RING NOT SHOWN	A 18X24 DIN7603-C
1	1440700X1	1	OIL SEAL	12X18X1-COPPER-PL
2	402570X1	1	DUSTCAP	ENGINE OIL
3	547045D1	1	TEST COUPLER	M10 X 1
	403032X1	1	O-RING	8.2MM X 1.5MM FKM90
4	563282D1	1	OIL DRAIN VALVE	
	401378X1	1	O-RING	15.3MM X 2.2MM
	565540D1	1	DUST CAP	
5	565522D1	1	HYDRAULIC HOSE	19MM ID X 1440MM

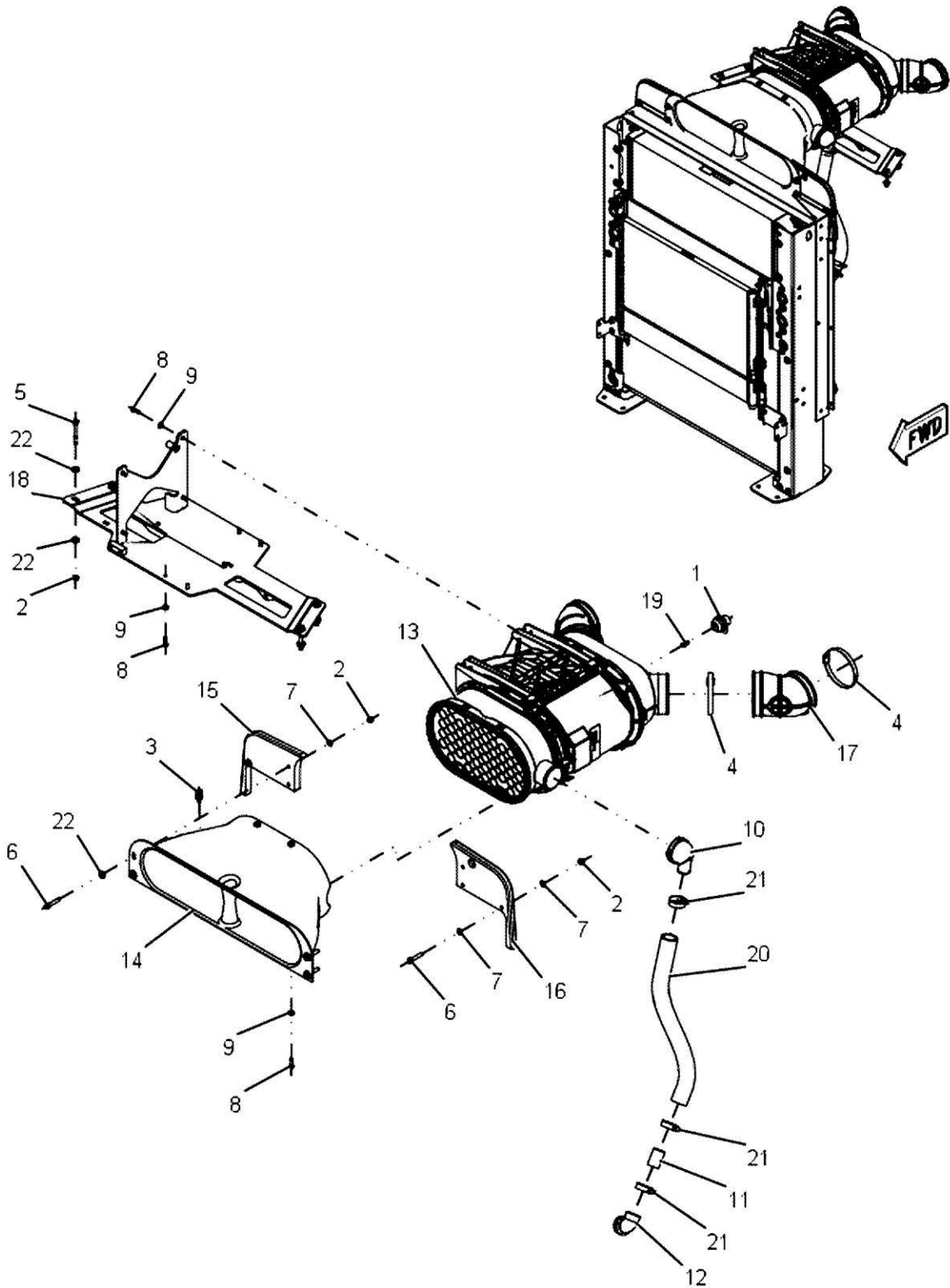
563282D1-2-AA119



563282D1 - OIL DRAIN VALVE GROUP

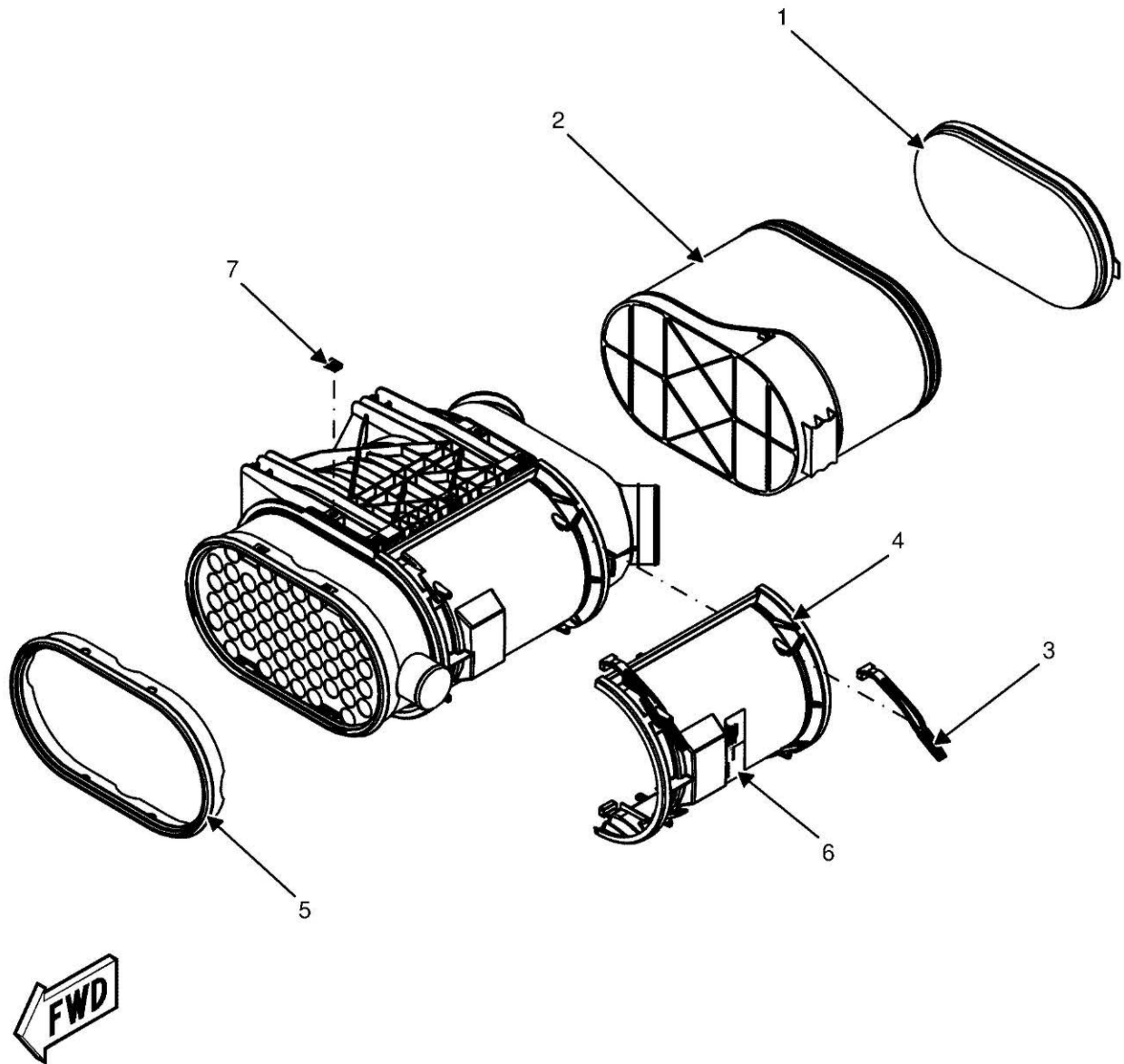
ITEM	PART NUMBER	QTY	DESCRIPTION COMMENTS	TECHNICAL SPECIFICATION
1	401378X1	1	O-RING	15.3MM X 2.2MM
2	565540D1	1	DUST CAP	

570264D2-7-



570264D2 - AIR INTAKE GROUP - ENGINE

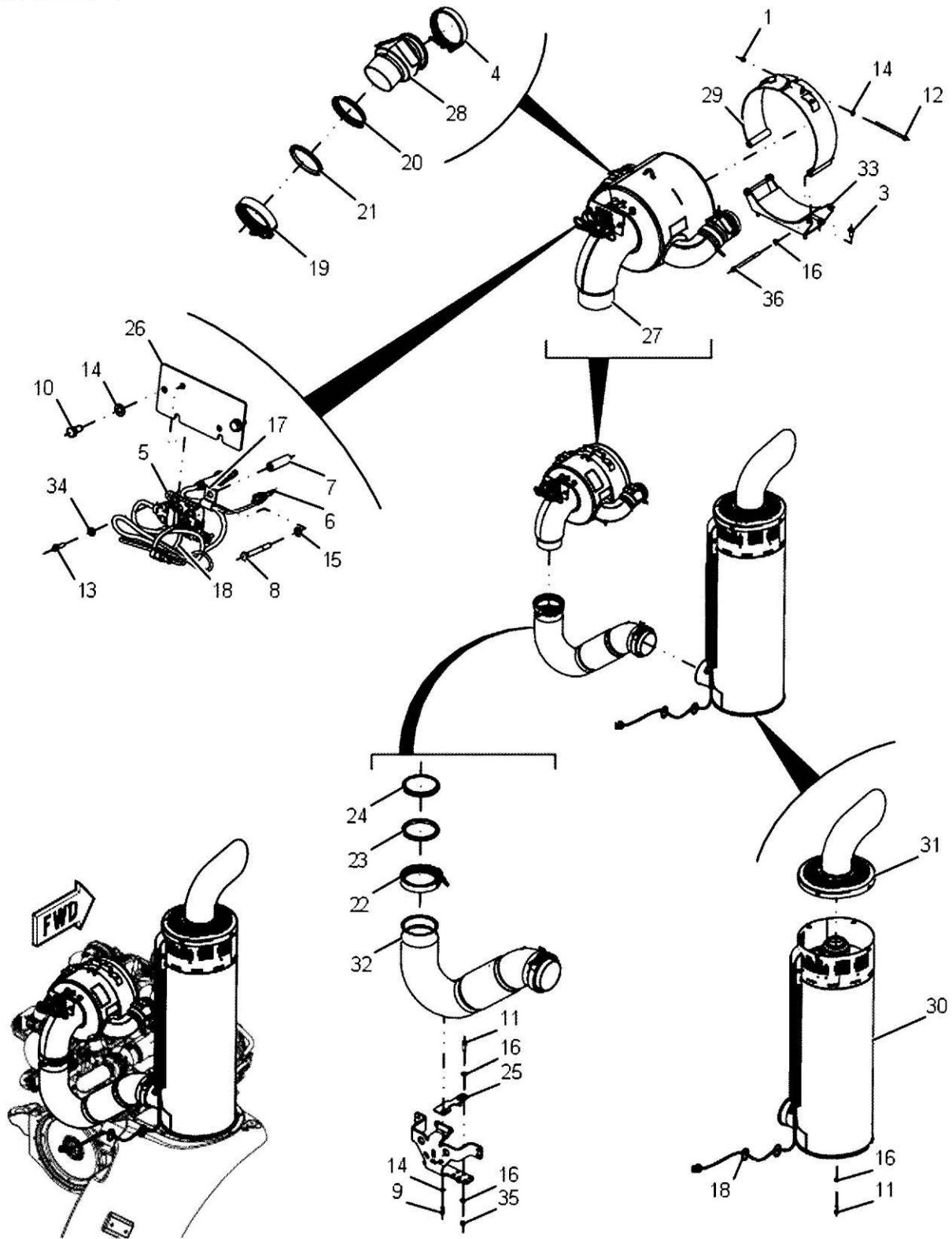
ITEM	PART NUMBER	QTY	DESCRIPTION COMMENTS	TECHNICAL SPECIFICATION
1	226-4754	1	AIR RESTRICTION SWITCH	
2	7774664	10	HEX NUT	M10 X 1.5
3	V836667732	1	TEMPERATURE SENSOR	
4	3010161X1	4	HOSE CLIP	Ø 120-145 X 14 MM ZN
5	400044X1	4	HEXAGONAL HEAD BOLT	M10 X 1.5 X 80MM, CL10.9
6	400226X1	6	HEXAGONAL HEAD BOLT	M10 X 1.5 X 50MM 10.9
7	400287X1	8	FLAT WASHER	11MM X 21MM X 2.5MM
8	400341X1	13	HEXAGONAL HEAD BOLT	M8 X 1.25 X 25MM
9	400599X1	13	FLAT WASHER	M8 X 20.5MM OD X 2MM THK
10	547132D1	1	ELBOW 90 DEGREE	
11	551711D1	1	INSERT DUST EJECTOR	
12	553637D1	1	TUBE	SCAVENGE
13	570263D1	1	AIR FILTER ASSEMBLY PSD14 SEE PAGE 01-0039	
14	571976D2	1	INTAKE DUCT	
15	571977D1	1	PLASTIC SEAL	
16	571978D1	1	PLASTIC SEAL	
17	574610D1	2	ELBOW AIR INTAKE	
18	581328D1	1	AIR CLEANER MOUNTING BRACKET	
19	CH5K-5068	1	NIPPLE	1/8"-27 NPTF
20	CH5P-0763	57	HOSE	38.1MM ID
21	CH5P-2230	3	HOSE CLAMP	32-54MM ID
22	CH7X-7729	12	FLAT WASHER	11MM X 25MM X 3MM



570263D1 - AIR FILTER ASSEMBLY - ENGINE

ITEM	PART NUMBER	QTY	DESCRIPTION COMMENTS	TECHNICAL SPECIFICATION
1	565824D1	1	AIR FILTER ELEMENT SECONDARY	
2	565825D1	1	AIR FILTER ELEMENT PRIMARY	
3	565828D1	4	LATCH	
4	565829D1	1	AIR CLEANER COVER	
5	567201D1	1	GASKET	
6	578141D1	1	INFORMATIONAL DECAL AIR CLEANER	
7	3010333X1	18	SPRING NUT	M8 ZN

573454D1-4



573454D1 - EXHAUST GROUP

ITEM	PART NUMBER	QTY	DESCRIPTION COMMENTS	TECHNICAL SPECIFICATION
1	WR55289	1	HEX FLANGE NUT	M10 X 1.5, CL10
3	WR522193	4	BOLT	
4	837084045	2	CLAMP	
5	V837084094	1	SENSOR	
6	V837084096	1	TEMPERATURE SENSOR	
7	3011714X1	1	SPACER	9X15X50-S 300-ZN
8	339159X1	1	HEX CAP SCREW	M8 X 65 (1.25) CL8.8 ZN
9			REMOVED FROM THE PARTS LIST	
10	400040X1	3	HEXAGONAL HEAD BOLT	M10 X 1.5 X 20MM, CL10.9
11	400050X1	9	HEXAGONAL HEAD BOLT	M12 X 1.75 X 40MM, CL10.9
12	400137X1	3	HEXAGONAL HEAD BOLT	M10 X 1.5 X 160MM, CL10.9
13	400221X1	2	HEXAGONAL HEAD BOLT	M6 X 1 X 20MM, CL10.9
14	400287X1	4	FLAT WASHER	11MM X 21MM X 2.5MM
15	400339X1	1	FLAT WASHER	9MM X 16MM X 2MM
16	400357X1	13	FLAT WASHER	M12 X 25.5 X 3MM
17	400620X1	1	P-CLIP	9.52MM ID
18	402294X1	3	CABLE TIE	390MM X 7.6MM
19	NS	2	NON-SERVICEABLE PART ORDER 4391625M91	
20	NS	2	NON-SERVICEABLE PART ORDER 4391625M91	
21	NS	2	NON-SERVICEABLE PART ORDER 4391625M91	
22	565817D1	2	BAND CLAMP	6"
23	565818D1	2	SEAL	6"
24	565819D1	2	FLANGE	6"
25	568392D1	2	BRACKET	
26	596586D1	1	SENSOR PLATE	
27	573455D1	1	DIESEL OXIDATION CATALYST	16.8 L
28	573456D1	2	EXHAUST PIPE	
29	573457D2	2	CLAMP	
30	573458D1	1	SCR MUFFLER	16.8L
	V837084094	1	SENSOR	
	V837084096	2	TEMPERATURE SENSOR	
	402294X1	23	CABLE TIE	390MM X 7.6MM
	402872X1	8	HEXAGONAL HEAD BOLT	M8-1.25 X 25MM, CL10.9
	4357920M1	8	WASHER	
	5000027X1	4	HEX FLANGE LOCKNUT	M6 (1.0) CL8.8
	571775D1	1	GROMMET	38MM ID X 60MM OD X 9.5MM
	572014D2	1	JUMPER HARNESS	
	575043D1	1	WIRE COVER	
31	573459D1	1	OUTLET	
32	574603D1	1	EXHAUST TUBE	6"
33	585370D1	1	SCR BRACKET	DOC BASE
34	CH8T-4205	2	FLAT WASHER	7.2MM X 14.5MM X 2MM
35	CH8T-4244	2	HEX NUT	M12 X 1.75

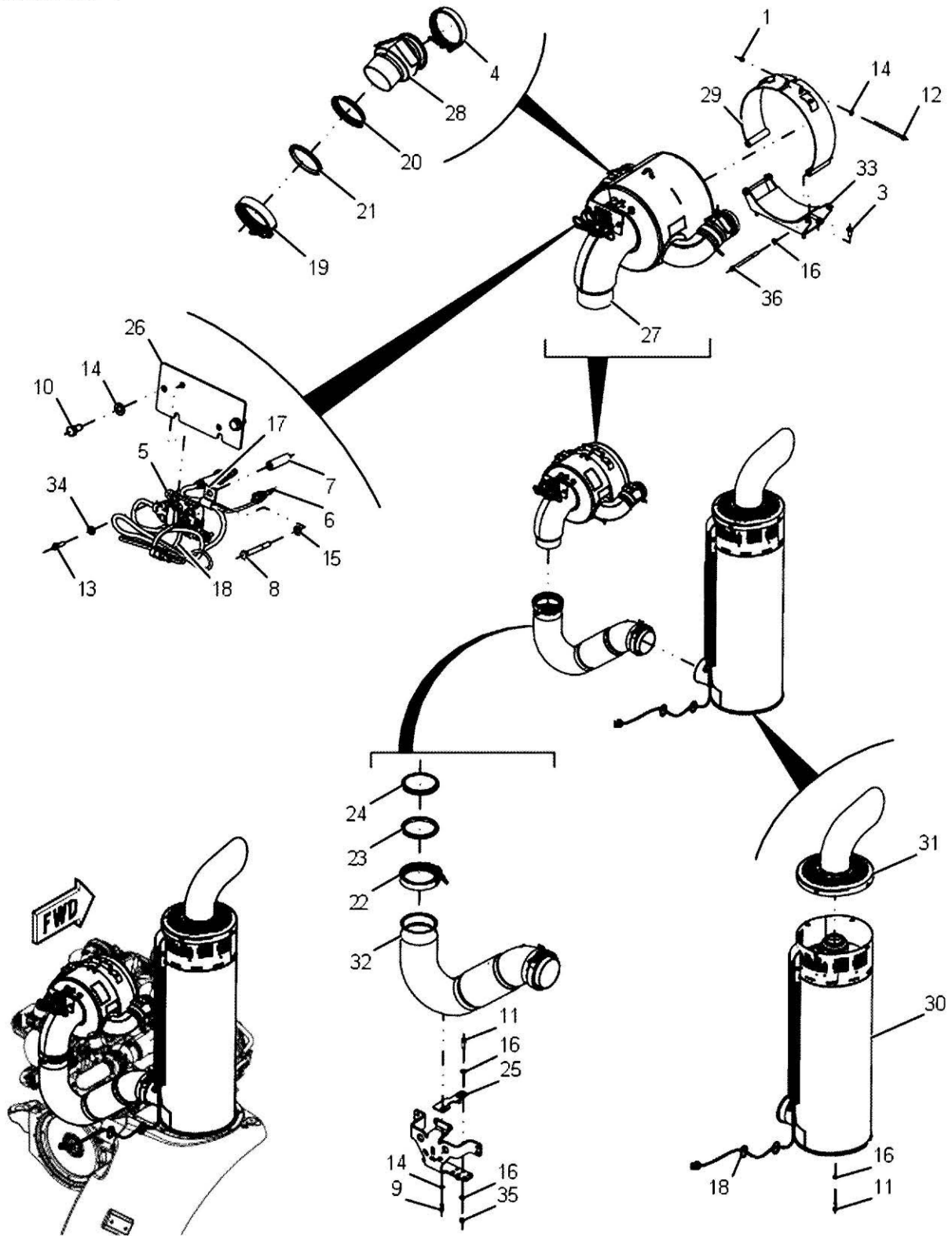
01-0040

ENGINE, FUEL AND EXHAUST SYSTEM

Copyright © 2016 AGCO Corporation

MT955E / MT965E / MT975E TRACTOR

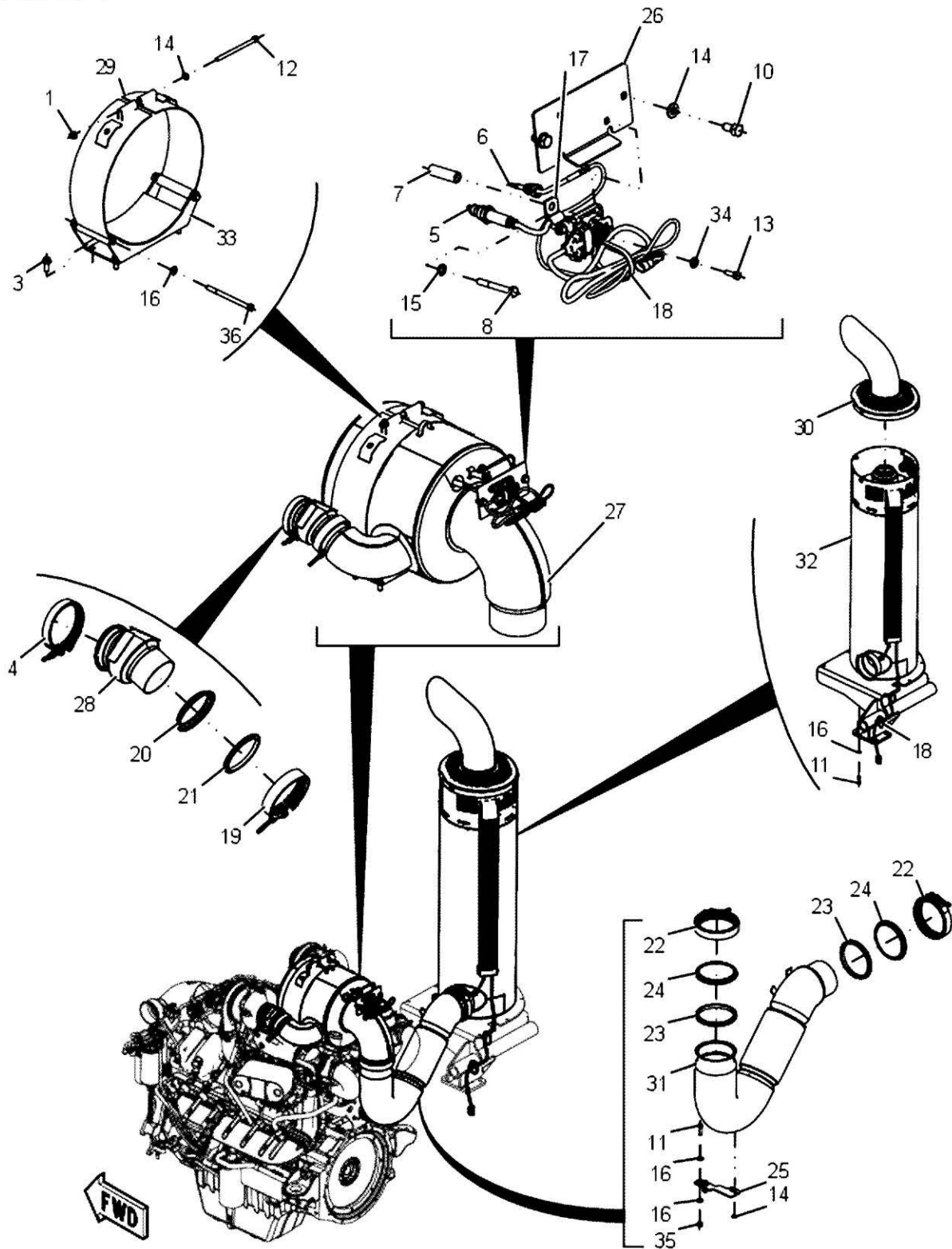
573454D1-4



573454D1 - EXHAUST GROUP

ITEM	PART NUMBER	QTY	DESCRIPTION COMMENTS	TECHNICAL SPECIFICATION
36	CH8T-7930	2	BOLT	M12 X 1.75 X 160MM

582884D1-1-



582884D1 - EXHAUST GROUP - TIER 4, FINAL COMPLIANT

ITEM	PART NUMBER	QTY	DESCRIPTION COMMENTS	TECHNICAL SPECIFICATION
2016				
1	WR55289	1	HEX FLANGE NUT	M10 X 1.5, CL10
3	AG522193	4	HEXAGON FLANGE BOLT	M12-1.75X30,CL10.9
4	V837084045	2	CLAMP	
5	V837084094	1	SENSOR	
6	V837084096	1	TEMPERATURE SENSOR	
7	3011714X1	1	SPACER	9X15X50-S 300-ZN
8	339159X1	1	HEX CAP SCREW	M8 X 65 (1.25) CL8.8 ZN
10	400040X1	3	HEXAGONAL HEAD BOLT	M10 X 1.5 X 20MM, CL10.9
11	400050X1	9	HEXAGONAL HEAD BOLT	M12 X 1.75 X 40MM, CL10.9
12	400137X1	1	HEXAGONAL HEAD BOLT	M10 X 1.5 X 160MM, CL10.9
13	400221X1	2	HEXAGONAL HEAD BOLT	M6 X 1 X 20MM, CL10.9
14	400287X1	4	FLAT WASHER	11MM X 21MM X 2.5MM
15	400339X1	1	FLAT WASHER	9MM X 16MM X 2MM
16	400357X1	13	FLAT WASHER	M12 X 25.5 X 3MM
17	400620X1	1	P-CLIP	9.52MM ID
18	402294X1	3	CABLE TIE	390MM X 7.6MM
19	NS	2	NON-SERVICEABLE PART P/N 4391626M1 NOT TO BE SERVICED SEPARATELY USE 4391625M91	
20	NS	2	NON-SERVICEABLE PART P/N 4391627M1 NOT TO BE SERVICED SEPARATELY USE 4391625M91	
21	NS	2	NON-SERVICEABLE PART P/N 4391628M1 NOT TO BE SERVICED SEPARATELY USE 4391625M91	
22	565817D1	2	BAND CLAMP	6"
23	565818D1	2	SEAL	6"
24	565819D1	2	FLANGE	6"
25	568392D1	1	BRACKET	
26	596586D1	1	SENSOR PLATE	
27	573455D1	1	DIESEL OXIDATION CATALYST	16.8 L
28	573456D1	2	EXHAUST PIPE	
29	573457D2	2	CLAMP	
30	573459D1	1	OUTLET	
31	574603D1	1	EXHAUST TUBE	6"
32	582882D1	1	SCR MUFFLER	16.8L
	V837084096	2	TEMPERATURE SENSOR	
	V837084094	1	SENSOR	
	402294X1	23	CABLE TIE	390MM X 7.6MM
	402872X1	8	HEXAGONAL HEAD BOLT	M8-1.25 X 25MM, CL10.9
	4357920M1	8	WASHER	
	5000027X1	4	HEX FLANGE LOCKNUT	M6 (1.0) CL8.8
	571775D1	1	GROMMET	38MM ID X 60MM OD X 9.5MM

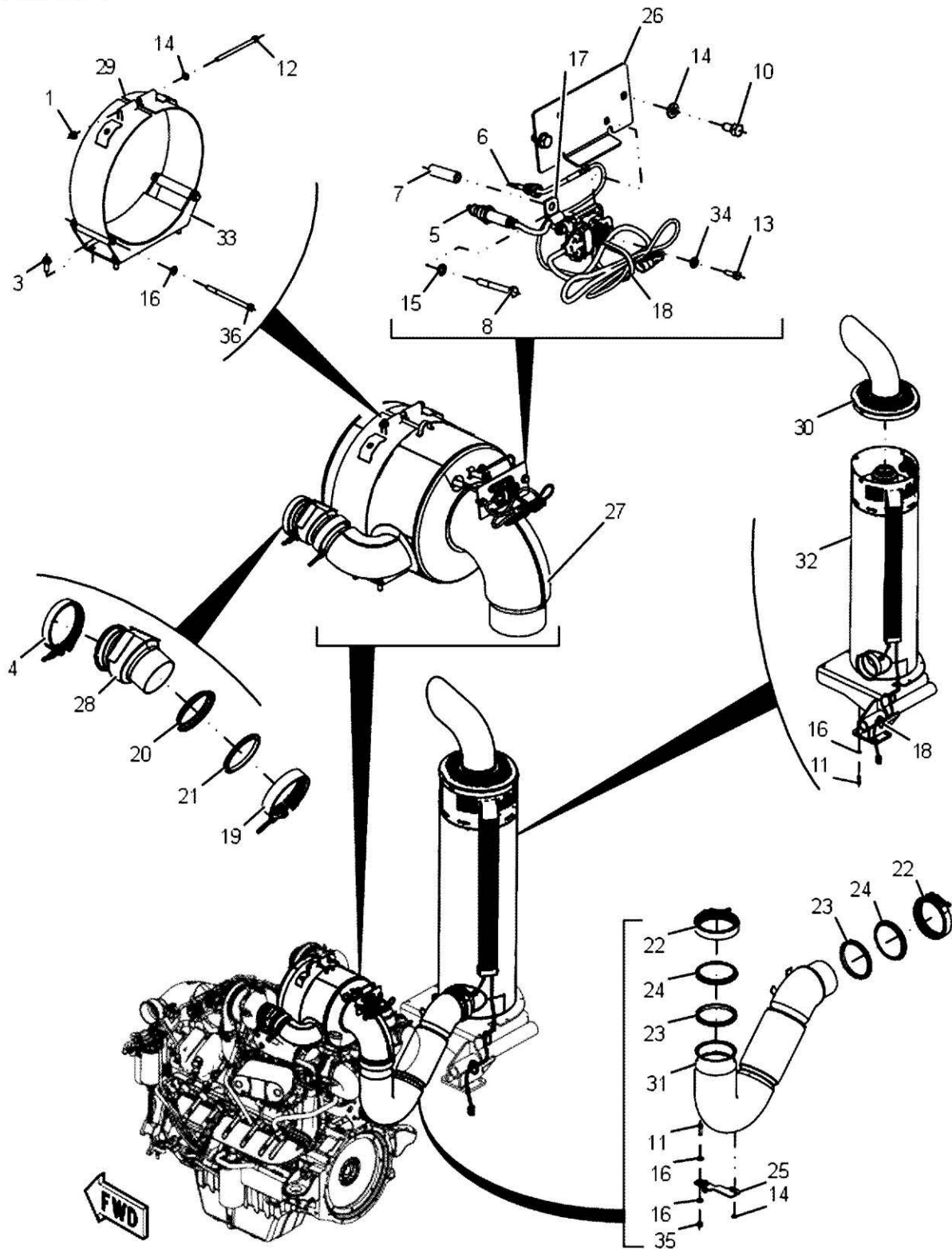
01-0041

ENGINE, FUEL AND EXHAUST SYSTEM

Copyright © 2016 AGCO Corporation

MT955E / MT965E / MT975E TRACTOR

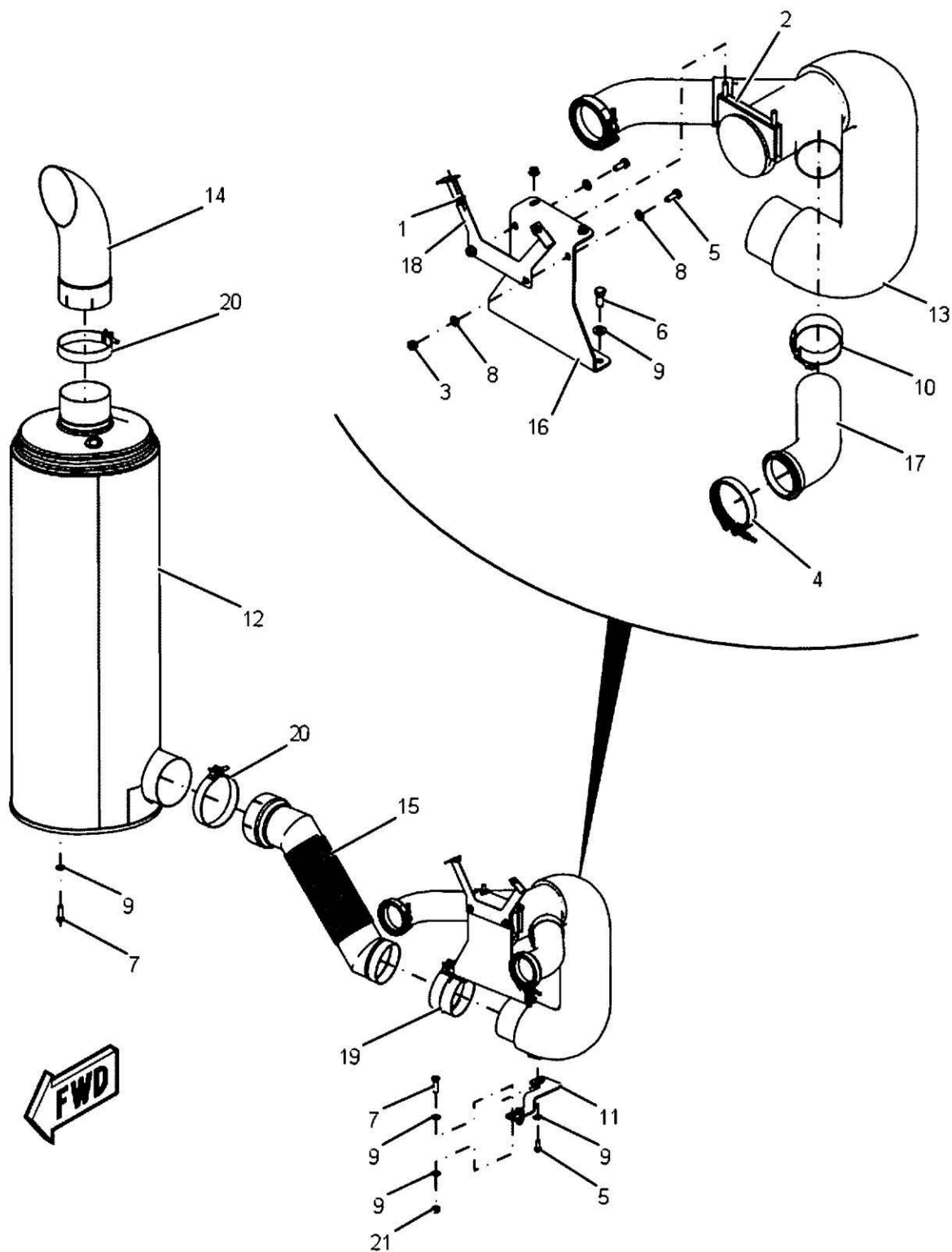
582884D1-1-



582884D1 - EXHAUST GROUP - TIER 4, FINAL COMPLIANT

ITEM	PART NUMBER	QTY	DESCRIPTION COMMENTS	TECHNICAL SPECIFICATION
	575043D1	1	WIRE COVER	
	576327D1	1	SCR WIRE HARNESS	
33	585370D1	1	SCR BRACKET	DOC BASE
34	CH8T-4205	2	FLAT WASHER	7.2MM X 14.5MM X 2MM
35	CH8T-4244	2	HEX NUT	M12 X 1.75
36	CH8T-7930	2	BOLT	M12 X 1.75 X 160MM

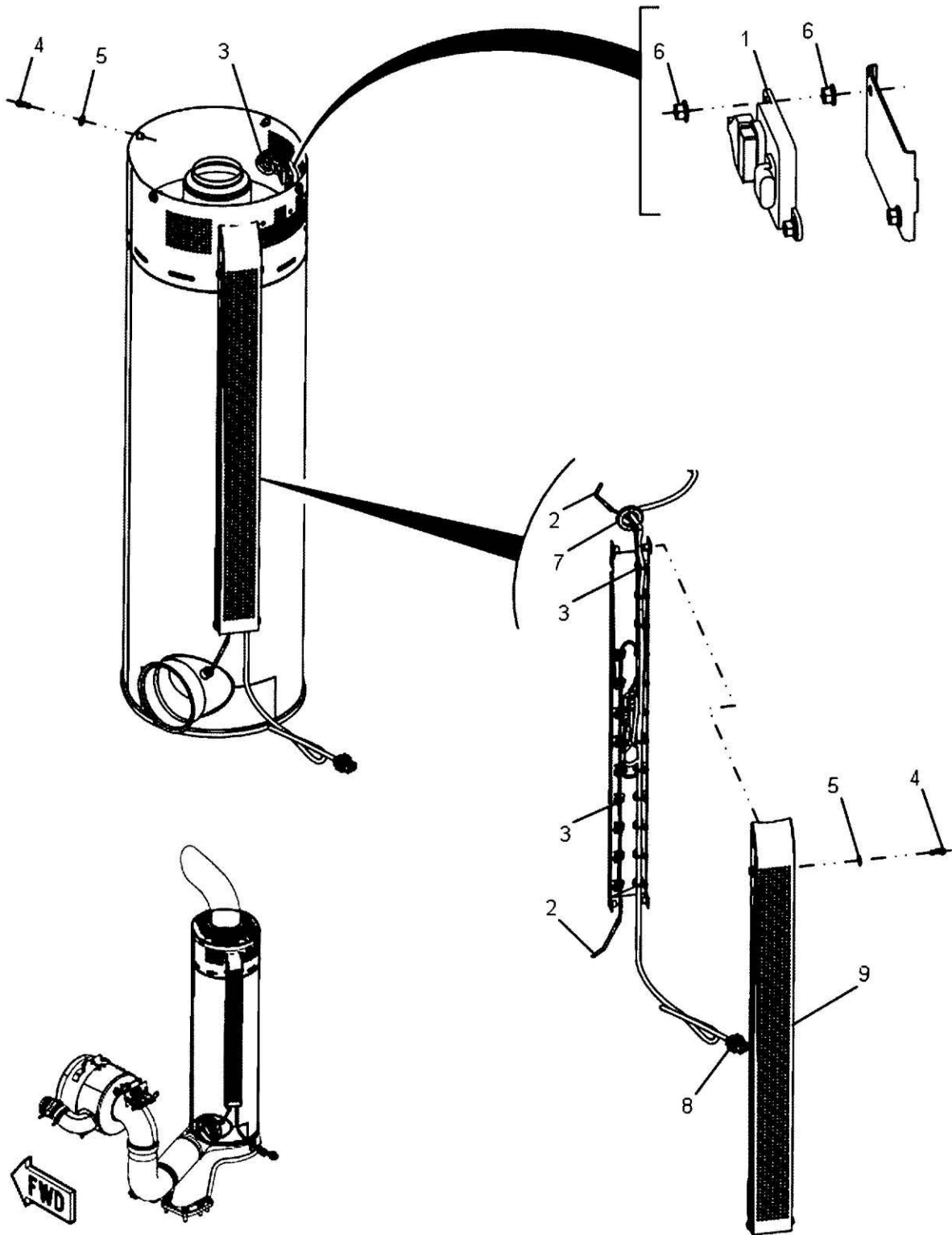
570265D1-3



570265D1 - EXHAUST GROUP - LESS REGULATED COUNTRIES

ITEM	PART NUMBER	QTY	DESCRIPTION COMMENTS	TECHNICAL SPECIFICATION
1	WR55289	2	HEX FLANGE NUT	M10 X 1.5, CL10
2	AG130245	1	MUFFLER CLAMP	5"
3	WR522218	2	HEX NUT	M10-1.5,CL10
4	837084045	2	CLAMP	
5	400039X1	3	HEXAGONAL HEAD BOLT	M10 X 1.5 X 25MM, CL10.9
6	400041X1	2	HEXAGONAL HEAD BOLT	M12 X 1.75 X 30MM, CL10.9
7	400050X1	9	HEXAGONAL HEAD BOLT	M12 X 1.75 X 40MM, CL10.9
8	400287X1	5	FLAT WASHER	11MM X 21MM X 2.5MM
9	400357X1	13	FLAT WASHER	M12 X 25.5 X 3MM
10	554787D1	2	BAND CLAMP	
11	564713D1	1	BRACKET	
12	568390D2	1	MUFFLER	LRC
13	568395D1	1	EXHAUST PIPE	
14	569663D1	1	EXHAUST PIPE	
15	570266D1	1	EXHAUST TUBE	
16	575034D1	1	TUBE SUPPORT	
17	592607D1	2	EXHAUST TUBE	TURBO
18	580357D1	1	TUBE SUPPORT	
19	CH205-5366	1	BAND CLAMP	
20	CH209-0620	2	CLAMP	
21	CH8T-4244	2	HEX NUT	M12 X 1.75

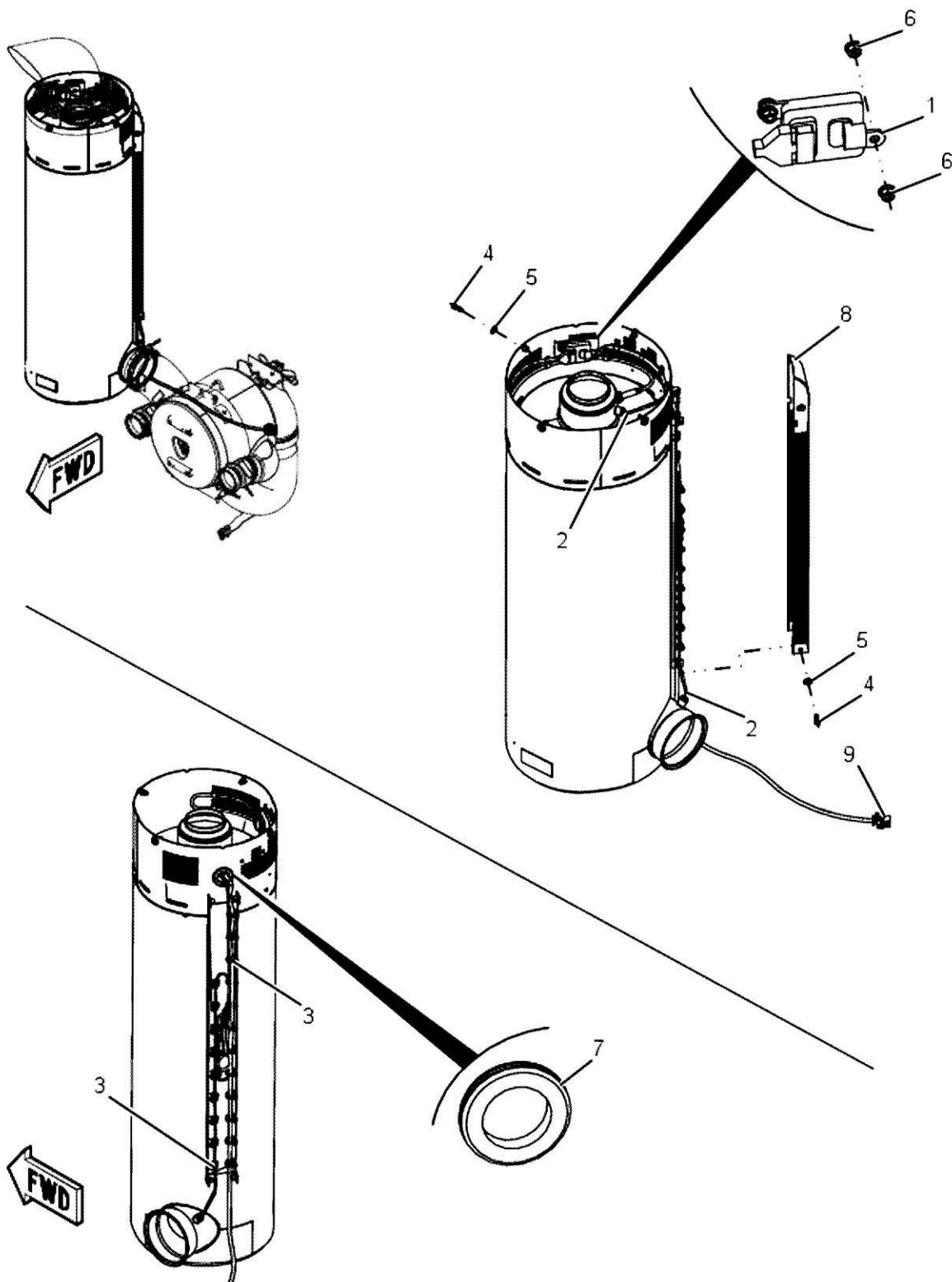
573458D1-3



573458D1 - SCR PARTS ASSEMBLY - 16.8 L ENGINE

ITEM	PART NUMBER	QTY	DESCRIPTION COMMENTS	TECHNICAL SPECIFICATION
SELECTIVE CATALYTIC REDUCTION				
1	V837084094	1	SENSOR NITROGEN OXIDE (NOX)	
2	V837084096	2	TEMPERATURE SENSOR EXHAUST GAS	
3	402294X1	22	CABLE TIE	390MM X 7.6MM
4	402872X1	8	HEXAGONAL HEAD BOLT	M8-1.25 X 25MM, CL10.9
5	4357920M1	8	WASHER	
6	5000027X1	4	HEX FLANGE LOCKNUT	M6 (1.0) CL8.8
7	571775D1	1	GROMMET	38MM ID X 60MM OD X 9.5MM
8	572014D2	1	JUMPER HARNESS SCR	
9	575043D1	1	WIRE COVER	

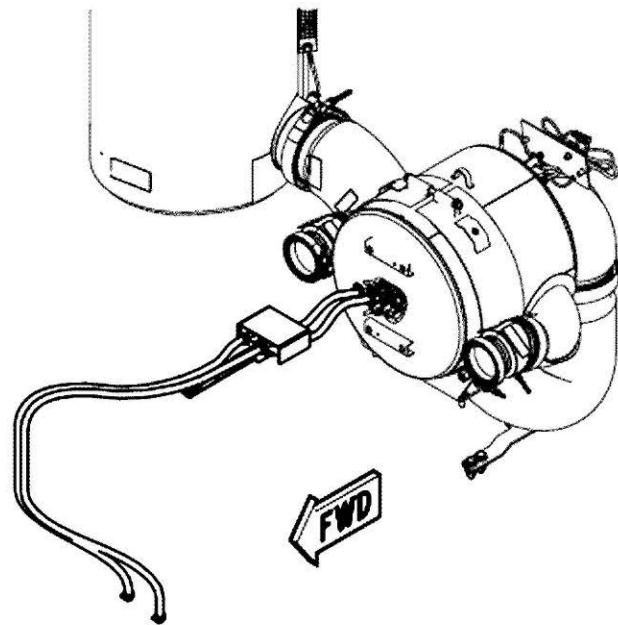
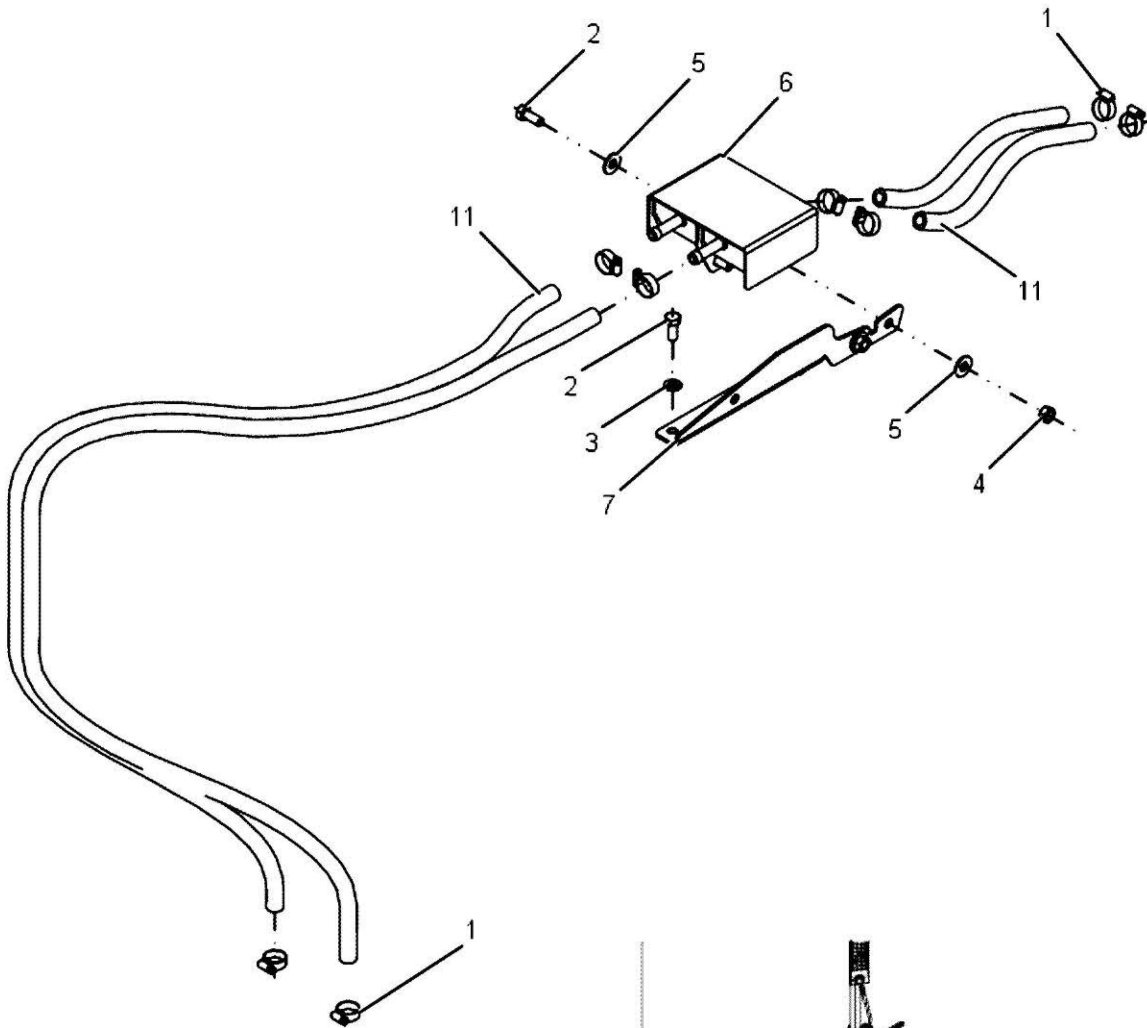
582882D1-2-



582882D1 - SCR PARTS ASSEMBLY - 16.8 L ENGINE

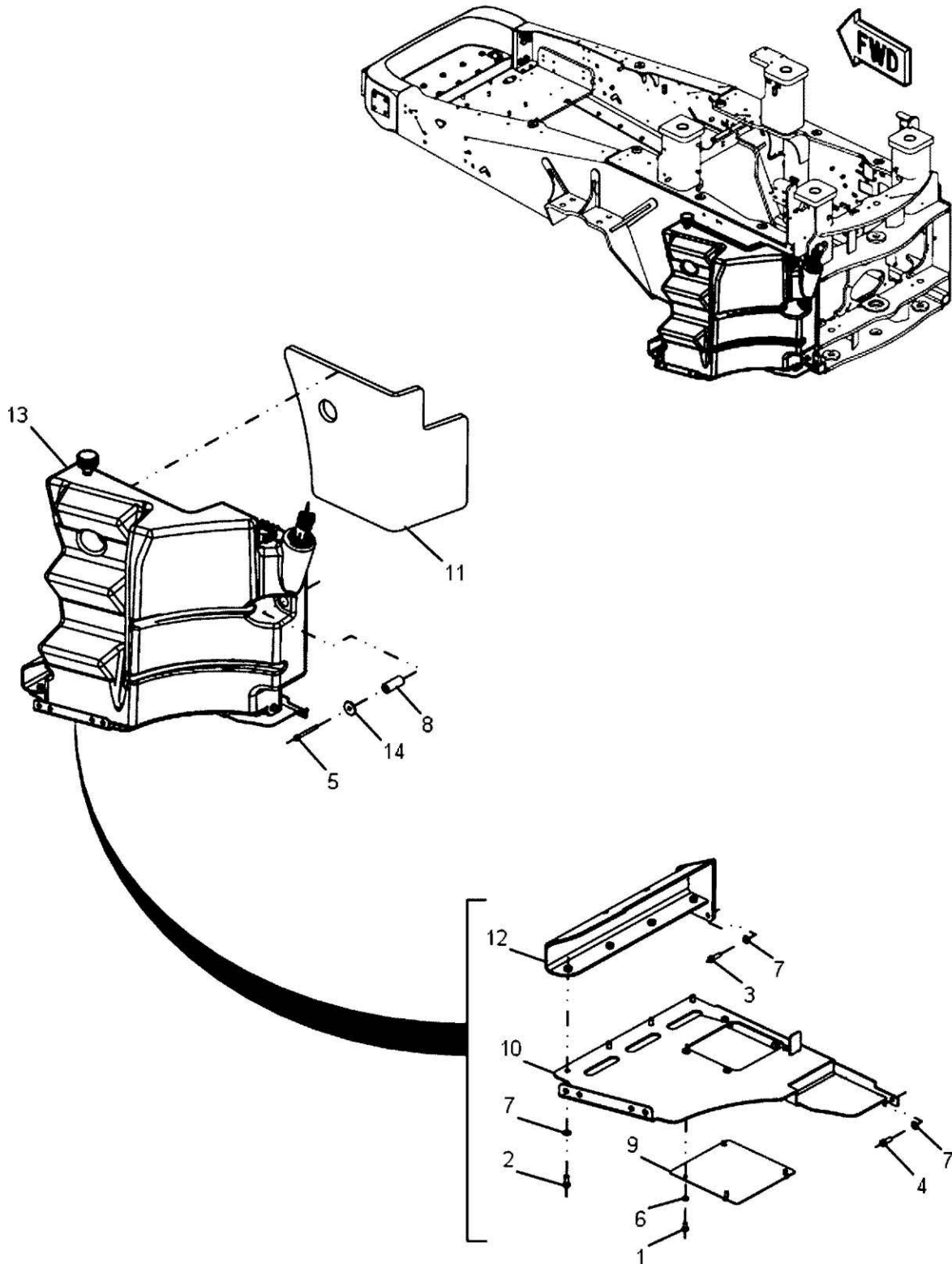
ITEM	PART NUMBER	QTY	DESCRIPTION COMMENTS	TECHNICAL SPECIFICATION
1	V837084094	1	SENSOR	
2	V837084096	2	TEMPERATURE SENSOR	
3	402294X1	22	CABLE TIE	390MM X 7.6MM
4	402872X1	8	HEXAGONAL HEAD BOLT	M8-1.25 X 25MM, CL10.9
5	4357920M1	8	WASHER	
6	5000027X1	4	HEX FLANGE LOCKNUT	M6 (1.0) CL8.8
7	571775D1	1	GROMMET	38MM ID X 60MM OD X 9.5MM
8	575043D1	1	WIRE COVER	
9	576327D1	1	SCR WIRE HARNESS	

593460D1-1-



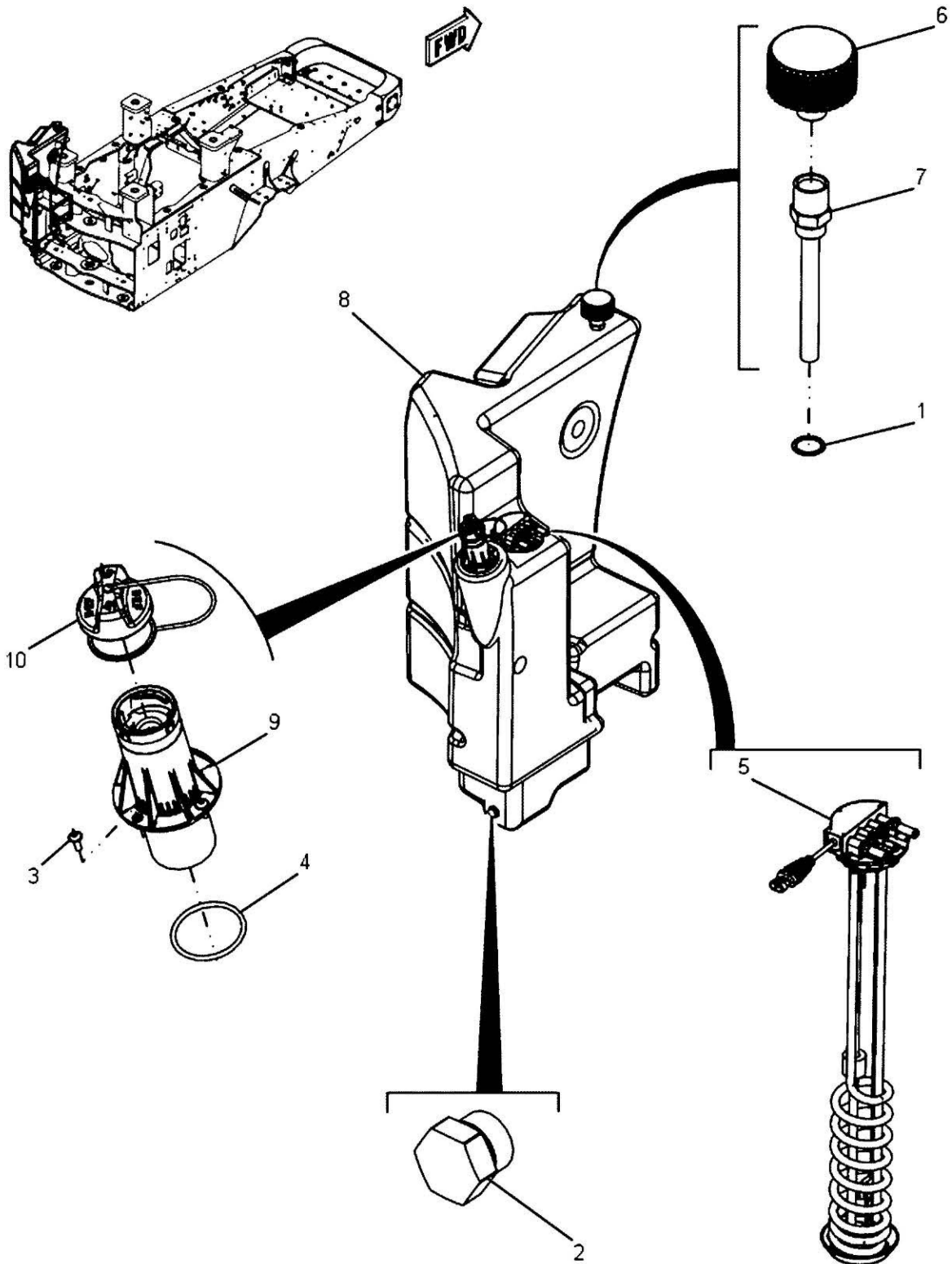
ITEM	PART NUMBER	QTY	DESCRIPTION COMMENTS	TECHNICAL SPECIFICATION
			SEE SERVICE BULLETIN SB15-0134 APPLS TO ALL E-SERIES TIER 4 FINAL TRACTORS WITH POLY DEF TANK. PRIOR TO C0845TFNHG1018 PRIOR TO C0855AFNJG1023 PRIOR TO C0865JFNKA1109 PRIOR TO C0875HFNLG1061 ALL MODEL YEAR MT955E, MT965E AND MT975E	
1	AG561366	8	HOSE CLAMP	1/4" TO 7/8", NARROW
2	400053X1	4	HEXAGONAL HEAD BOLT	M8 X 1.25 X 20MM, CL10.9
3	400339X1	2	FLAT WASHER	9MM X 16MM X 2MM
4	400340X1	2	HEX NUT	M8 X 1.25MM X 13MM
5	400599X1	4	FLAT WASHER	M8 X 20.5MM OD X 2MM THK
6	4390534M2	1	TANK	
7	593451D1	1	TANK BRACKET	DOSER TANK
11	CH5P-1442	-	BULK HIGH TEMPERATUR HOSE BULK: 323 MM	9.52MM ID

564088D1-3



ITEM	PART NUMBER	QTY	DESCRIPTION COMMENTS	TECHNICAL SPECIFICATION
1	400040X1	4	HEXAGONAL HEAD BOLT	M10 X 1.5 X 20MM, CL10.9
2	400041X1	4	HEXAGONAL HEAD BOLT	M12 X 1.75 X 30MM, CL10.9
3	400050X1	3	HEXAGONAL HEAD BOLT	M12 X 1.75 X 40MM, CL10.9
4	400064X1	4	HEXAGONAL HEAD BOLT	M12 X 1.75MM X 35MM, CL10.9
5	400231X1	2	HEXAGONAL HEAD BOLT	M12 X 1.75 X 120MM, CL10.9
6	400287X1	4	FLAT WASHER	11MM X 21MM X 2.5MM
7	400357X1	11	FLAT WASHER	M12 X 25.5 X 3MM
8	556768D1	2	SPACER	25.4MM ID X 90MM
9	559238D1	1	PLATE	
10	564091D1	1	TANK SUPPORT	
11	564093D1	1	INSULATION	
12	564094D1	1	SUPPORT	
13	NS	1	NON-SERVICEABLE PART SEE PAGE 01-0047	
14	CH7G-8839	2	SPACER	13.5 MM X 57MM X 6MM

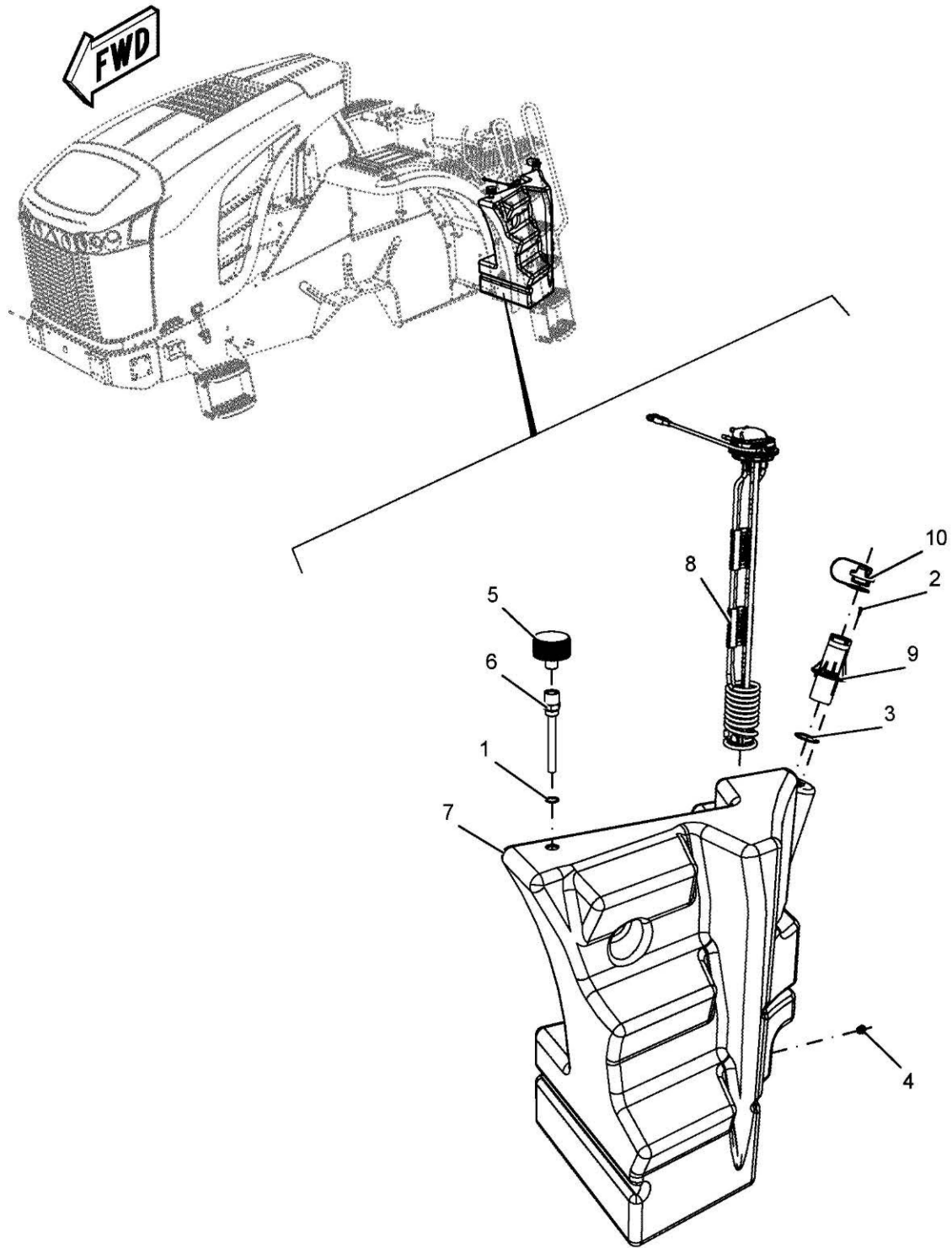
579102D1-1-



579102D1 - DIESEL EXHAUST FLUID TANK GROUP

ITEM	PART NUMBER	QTY	DESCRIPTION COMMENTS	TECHNICAL SPECIFICATION
1	400416X1	1	O-RING	23.47MM ID X 2.95MM
2	402525X1	1	HEX HEAD PLUG	-8 STOR
3	402828X1	4	HEX SOCKET BUTTON HEAD BOLT	M5-0.8 X 16MM
4	402839X1	1	O-RING	58MM
5	4351064M1	1	ADBL./DEF SENSOR	
6	506678D1	1	BREATHER VENT	
7	555823D1	1	BREATHER LINE	187.7MM
8	579103D1	1	DEF TANK	
9	72482459	1	FILLER NECK	
10	72489117	1	FUEL CAP	

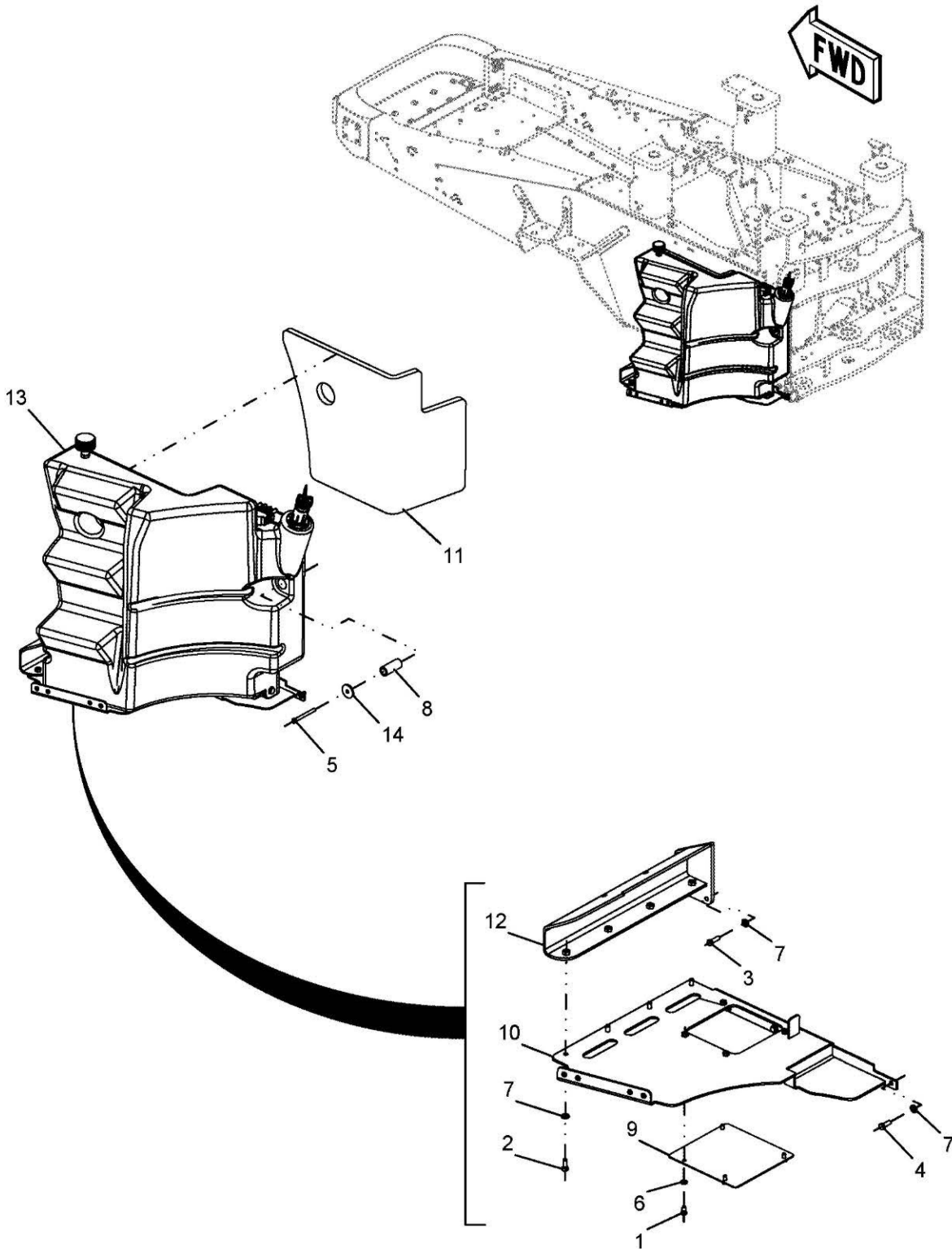
589922D1-2-01



589922D1 - DIESEL EXHAUST FLUID TANK GROUP - 2017

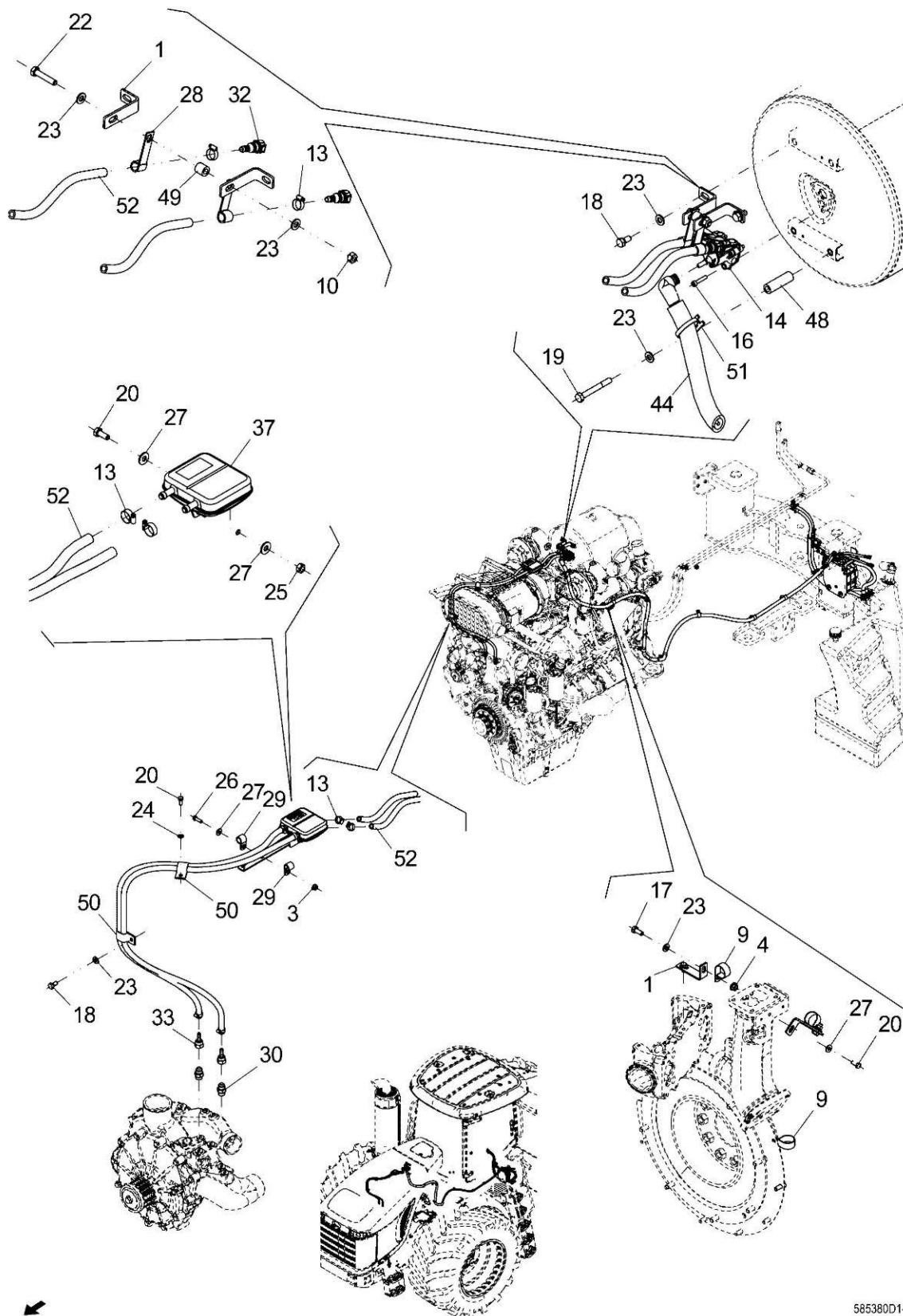
ITEM	PART NUMBER	QTY	DESCRIPTION COMMENTS	TECHNICAL SPECIFICATION
			2017	
1	400416X1	1	O-RING	23.47MM ID X 2.95MM
2	402828X1	4	HEX SOCKET BUTTON HEAD BOLT	M5-0.8 X 16MM
3	402839X1	1	O-RING	58MM
4	402918X1	1	PLASTIC PLUG	
5	506678D1	1	BREATHER VENT	
6	555823D1	1	BREATHER LINE	187.7MM
7	579103D1	1	DEF TANK	
8	ACW041611A	1	SENSOR ASSEMBLY	
9	72482459	1	FILLER NECK	
10	72489117	1	FUEL CAP	

589924D1-2-01



589924D1 - DIESEL EXHAUST FLUID TANK GROUP - 2017

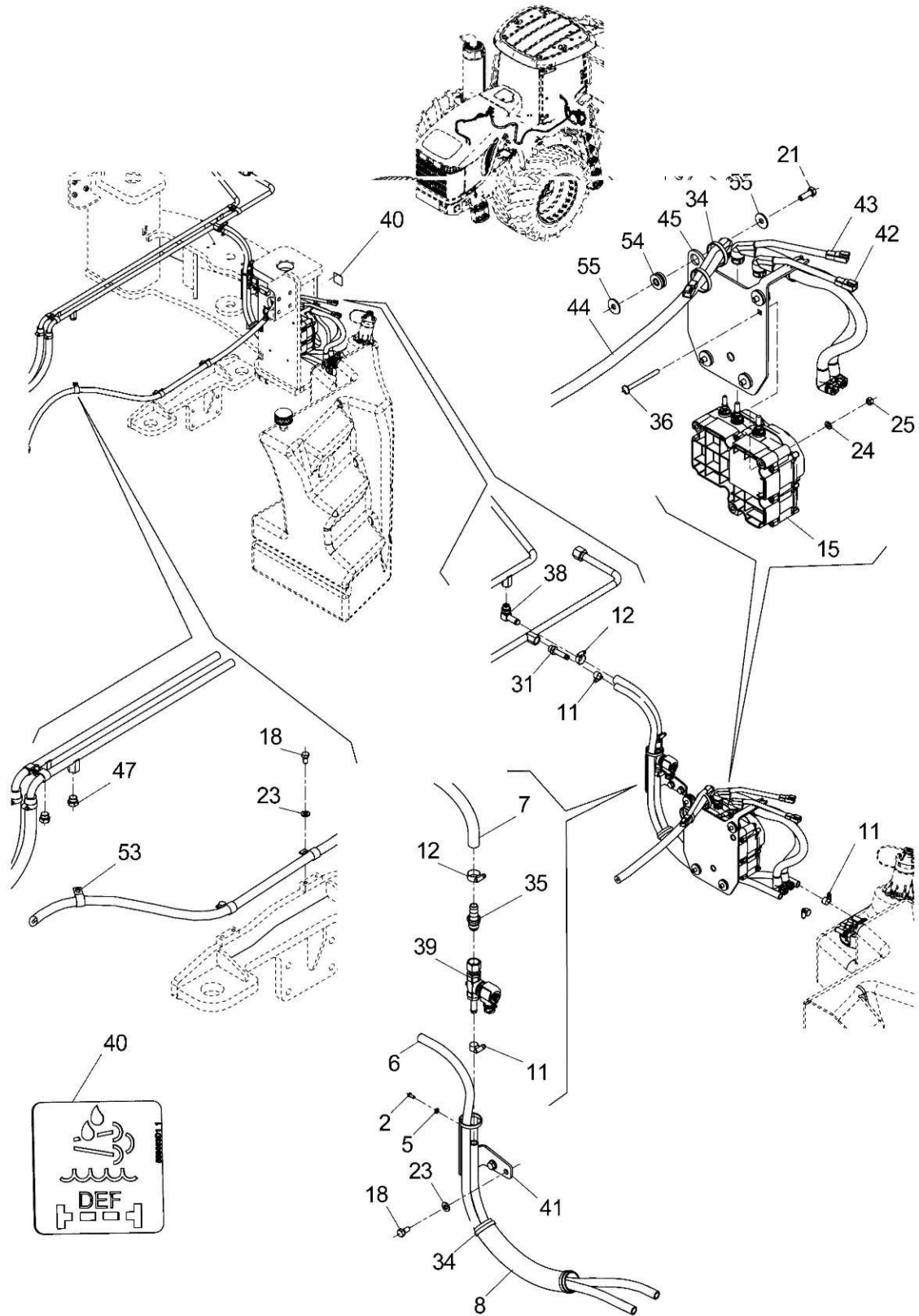
ITEM	PART NUMBER	QTY	DESCRIPTION COMMENTS	TECHNICAL SPECIFICATION
2017				
1	400040X1	4	HEXAGONAL HEAD BOLT	M10 X 1.5 X 20MM, CL10.9
2	400041X1	4	HEXAGONAL HEAD BOLT	M12 X 1.75 X 30MM, CL10.9
3	400050X1	3	HEXAGONAL HEAD BOLT	M12 X 1.75 X 40MM, CL10.9
4	400064X1	4	HEXAGONAL HEAD BOLT	M12 X 1.75MM X 35MM, CL10.9
5	400231X1	2	HEXAGONAL HEAD BOLT	M12 X 1.75 X 120MM, CL10.9
6	400287X1	4	FLAT WASHER	11MM X 21MM X 2.5MM
7	400357X1	11	FLAT WASHER	M12 X 25.5 X 3MM
8	556768D1	2	SPACER	25.4MM ID X 90MM
9	559238D1	1	PLATE	
10	564091D1	1	TANK SUPPORT	
11	564093D1	1	INSULATION	
12	564094D1	1	SUPPORT	
13	NS	1	NON-SERVICEABLE PART DIESEL EXHAUST FLUID TANK SEE PAGE 01-0048	
14	CH7G-8839	2	SPACER	13.5 MM X 57MM X 6MM



585380D1-6-01

585380D1 - DIESEL EXHAUST FLUID LINES - 2016

ITEM	PART NUMBER	QTY	DESCRIPTION COMMENTS	TECHNICAL SPECIFICATION
1	215-8051	4	BRACKET	
3	WR55280	1	HEX FLANGE NUT	M8 X 1.25
4	WR55289	2	HEX FLANGE NUT	M10 X 1.5, CL10
9	AG519751	4	P-CLIP	1-3/8" DIA, COATED
10	AG522218	1	TERMINAL NUT	M10 X 1.5, CL10.9
13	AG561366	8	HOSE CLAMP	1/4" TO 7/8", NARROW
14	V837074663	1	MODULE	
16	3009283X1	3	HEX SOCKET SCREW	M6 X 30 (1.0) CL10
17	400039X1	2	HEXAGONAL HEAD BOLT	M10 X 1.5 X 25MM, CL10.9
18	400040X1	7	HEXAGONAL HEAD BOLT	M10 X 1.5 X 20MM, CL10.9
19	400044X1	1	HEXAGONAL HEAD BOLT	M10 X 1.5 X 80MM, CL10.9
20	400053X1	5	HEXAGONAL HEAD BOLT	M8 X 1.25 X 20MM, CL10.9
22	400226X1	1	HEXAGONAL HEAD BOLT	M10 X 1.5 X 50MM 10.9
23	400287X1	12	FLAT WASHER	11MM X 21MM X 2.5MM
24	400339X1	4	FLAT WASHER	9MM X 16MM X 2MM
25	400340X1	2	HEX NUT	M8 X 1.25MM X 13MM
26	400341X1	1	HEXAGONAL HEAD BOLT	M8 X 1.25 X 25MM
27	400599X1	7	FLAT WASHER	M8 X 20.5MM OD X 2MM THK
28	400657X1	2	CLIP	COATED
29	400702X1	2	P-CLIP	15.8MM ID
30	401692X1	2	ADAPTER FITTING	M18 X 1.5 X 3/4"-16
32	402123X1	2	QUICK COUPLER	6-J2044 X 6 HB
33	402158X1	2	ADAPTER FITTING	08JIC X -06HB
37	4389372M2	1	RESERVOIR	UREA
44	570716D2	1	HOSE ASSY	DEF, 8X8X3600
48	CH2B-0941	1	SPACER	
49	CH212-0279	1	SPACER	11.1MM ID X 10.1MM OD X 62MM
50	CH4D-7733	2	CLIP	17.46MM ID
51	CH4P-7581	1	LADDER CLIP	12.5MM X 15D
52	CH5P-1442	-	BULK HIGH TEMPERATUR HOSE BULK: 3260	9.52MM ID

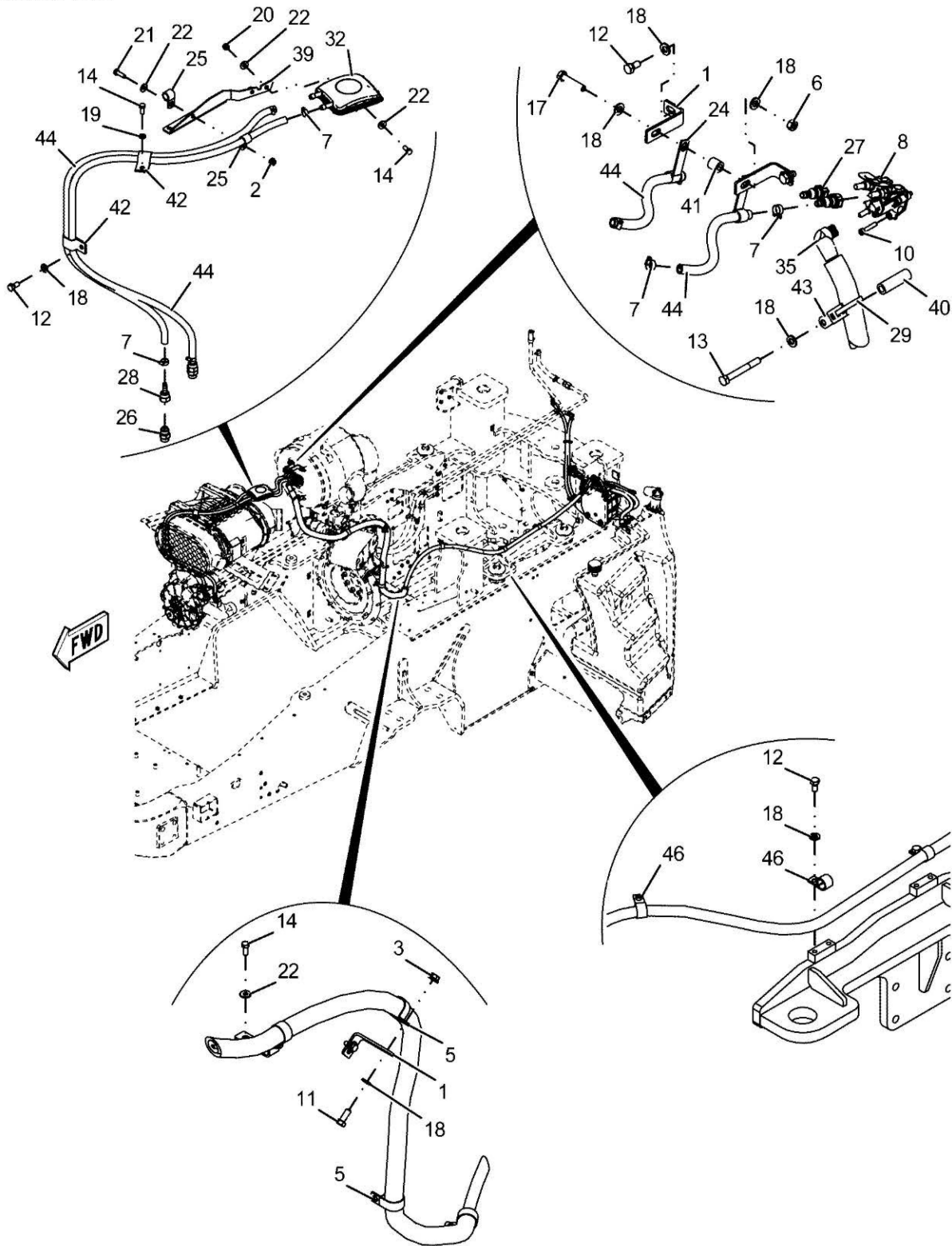


585380D1-6-02

585380D1 - DIESEL EXHAUST FLUID LINES - 2016

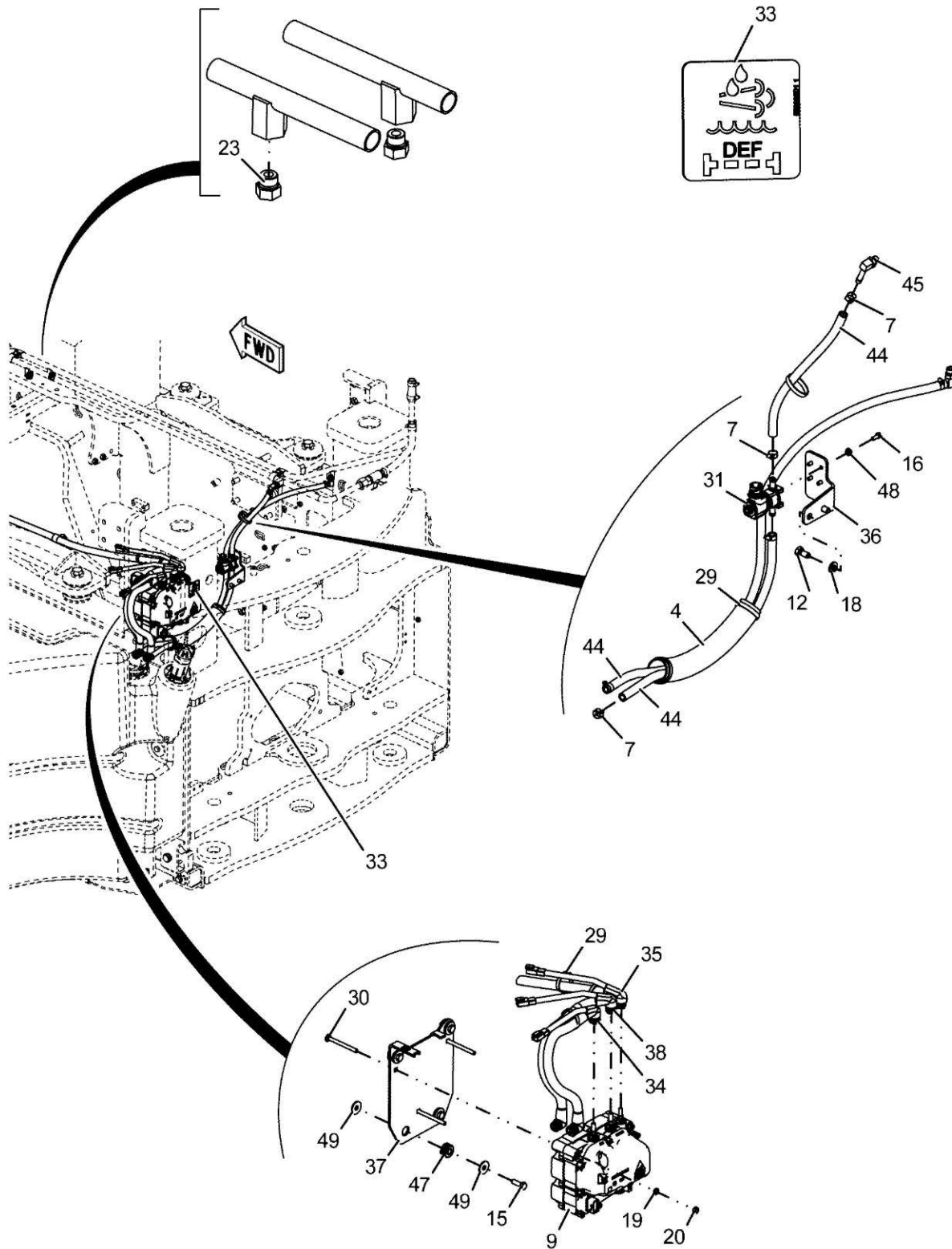
ITEM	PART NUMBER	QTY	DESCRIPTION COMMENTS	TECHNICAL SPECIFICATION
2	WR55026	2	HEXAGONAL HEAD BOLT	M5 X 12MM
5	AG125890	2	FLAT WASHER	
6	AG510947	6	BULK HOSE	1/2" ID, 250 PSI
7	AG513423	1	HOSE	5/8", EPDM
8	AG519494	1	SLEEVE	
11	AG561227	4	HOSE CLAMP	0.44"-0.78",SAE 6,SS
12	AG561228	2	HOSE CLAMP	9/16"-1-1/16", SS
15	V837084092	1	MODULE	
18	400040X1	7	HEXAGONAL HEAD BOLT	M10 X 1.5 X 20MM, CL10.9
21	400058X1	4	HEXAGONAL HEAD BOLT	M10 X 1.5 X 30MM
23	400287X1	12	FLAT WASHER	11MM X 21MM X 2.5MM
24	400339X1	4	FLAT WASHER	9MM X 16MM X 2MM
25	400340X1	2	HEX NUT	M8 X 1.25MM X 13MM
31	402090X1	1	ADAPTER	8MSTOR-8 HB VITON
	CH8L-2786	1	O-RING SEAL	16.36 X 2.21
34	402294X1	2	CABLE TIE	390MM X 7.6MM
35	402653X1	1	ADAPTER	5/8" BARB X 7/8" -14 M JIC
36	402895X1	3	CARRIAGE BOLT	M8-1.25 X 90
38	523731D1	1	ELBOW	-90-10HB X -8STOR
39	549023D1	1	VALVE	10FJSX-08HB
40	559003D1	1	INFORMATIONAL DECAL	DEF FILTER
41	565516D1	1	BRACKET	
42	570714D1	1	HOSE	6MM X 357MM
43	570715D1	1	HOSE	6MM X 407MM
44	570716D2	2	HOSE ASSY	DEF, 8X8X3600
45	574604D1	1	PLATE	
47	CH148-8411	2	HEX HEAD PLUG	-8 STOR
	CH3K-0360	1	O-RING	16.36MM ID X 2.21MM
53	CH6D-4244	3	P-CLIP	
54	CH6N-6984	4	ISOLATOR MOUNT	11.18MM ID
55	CH8T-4222	8	FLAT WASHER	11MM ID X 32MM OD X 2.5MM

589921D1-2-01



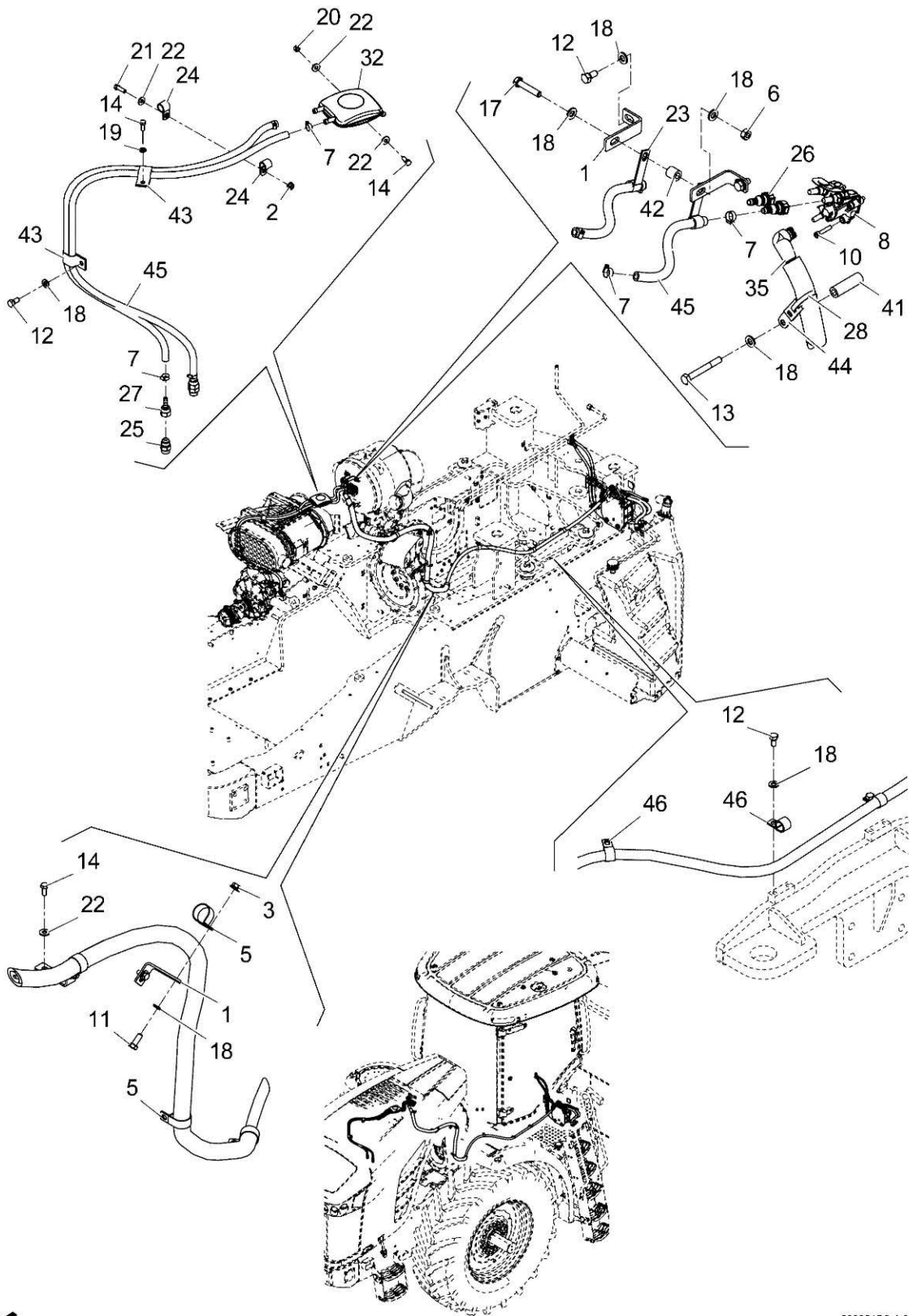
ITEM	PART NUMBER	QTY	DESCRIPTION COMMENTS	TECHNICAL SPECIFICATION
2017				
1	215-8051	4	BRACKET	
2	WR55280	1	HEX FLANGE NUT	M8 X 1.25
3	WR55289	2	HEX FLANGE NUT	M10 X 1.5, CL10
5	AG519751	4	P-CLIP	1-3/8" DIA, COATED
6	7774664	1	HEX NUT	M10 X 1.5
7	AG561025	14	HOSE CLAMP	8MM-17MM, MINI
8	V837074663	1	MODULE INJECTOR	
10	3009283X1	3	HEX SOCKET SCREW	M6 X 30 (1.0) CL10
11	400039X1	2	HEXAGONAL HEAD BOLT	M10 X 1.5 X 25MM, CL10.9
12	400040X1	7	HEXAGONAL HEAD BOLT	M10 X 1.5 X 20MM, CL10.9
13	400044X1	1	HEXAGONAL HEAD BOLT	M10 X 1.5 X 80MM, CL10.9
14	400053X1	5	HEXAGONAL HEAD BOLT	M8 X 1.25 X 20MM, CL10.9
17	400226X1	1	HEXAGONAL HEAD BOLT	M10 X 1.5 X 50MM 10.9
18	400287X1	12	FLAT WASHER	11MM X 21MM X 2.5MM
19	400339X1	4	FLAT WASHER	9MM X 16MM X 2MM
20	400340X1	5	HEX NUT	M8 X 1.25MM X 13MM
21	400341X1	1	HEXAGONAL HEAD BOLT	M8 X 1.25 X 25MM
22	400599X1	7	FLAT WASHER	M8 X 20.5MM OD X 2MM THK
24	400657X1	2	CLIP	COATED
25	400702X1	2	P-CLIP	15.8MM ID
26	401692X1	2	ADAPTER FITTING	M18 X 1.5 X 3/4"-16
27	402123X1	2	QUICK COUPLER	6-J2044 X 6 HB
28	402158X1	2	ADAPTER FITTING	08JIC X -06HB
29	402294X1	7	CABLE TIE	390MM X 7.6MM
32	4389372M2	1	RESERVOIR	UREA
35	570716D2	1	HOSE ASSY	DEF, 8X8X3600
39	596925D1	1	TANK BRACKET	
40	CH212-0279	1	SPACER	11.1MM ID X 10.1MM OD X 62MM
41	CH2B-0941	1	SPACER	
42	CH4D-7733	2	CLIP	17.46MM ID
43	CH4P-7581	1	LADDER CLIP	12.5MM X 15D
44	CH5P-1442	-	BULK HIGH TEMPERATUR HOSE BULK: 5330 MM	9.52MM ID
46	CH6D-4244	3	P-CLIP	

589921D1-2-02



589921D1 - DIESEL EXHAUST FLUID LINES - 2017

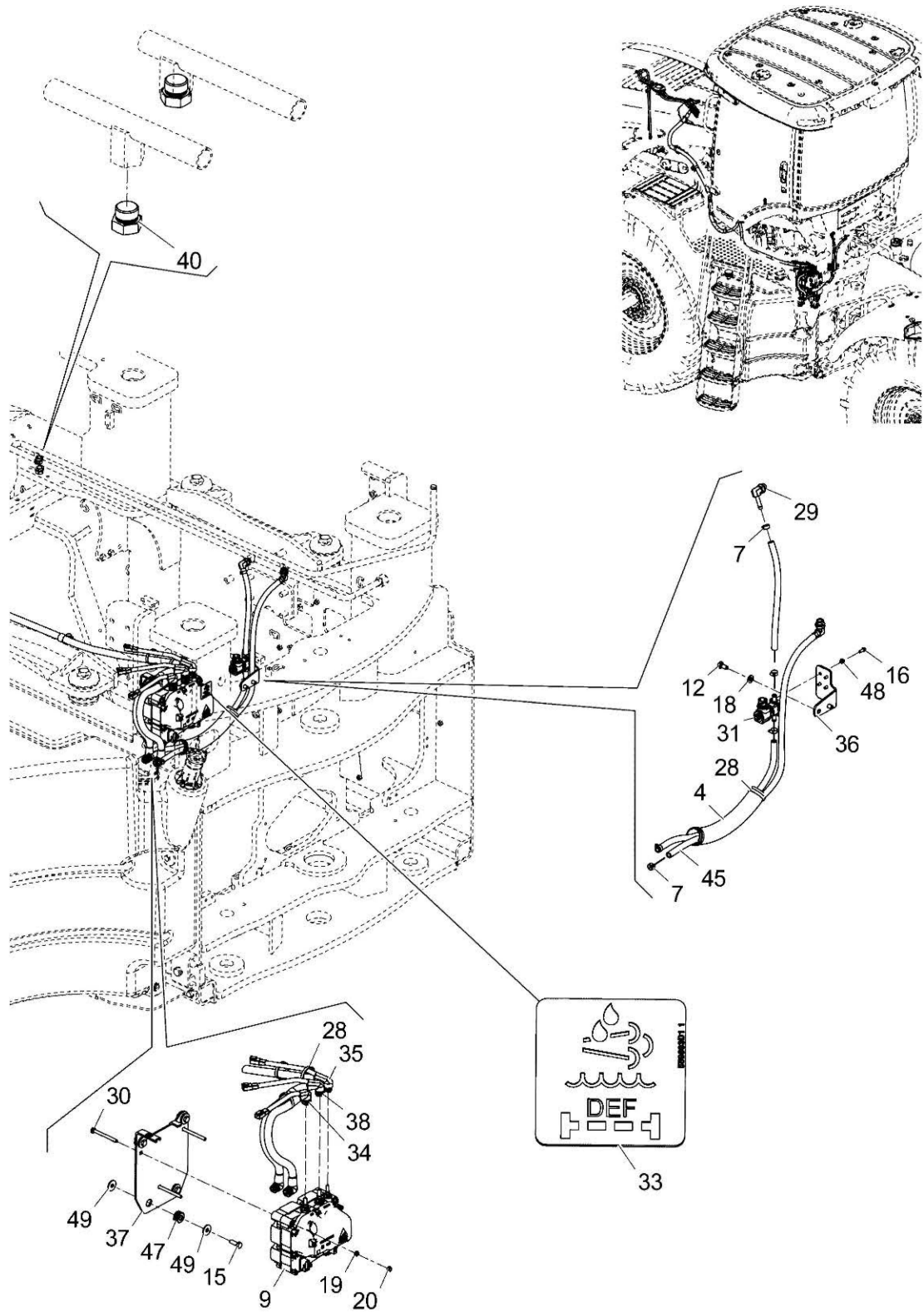
ITEM	PART NUMBER	QTY	DESCRIPTION COMMENTS	TECHNICAL SPECIFICATION
			2017	
4	AG519494	-	SLEEVE BULK: 290 MM	
7	AG561025	14	HOSE CLAMP	8MM-17MM, MINI
9	V837084092	1	MODULE PUMP	
12	400040X1	7	HEXAGONAL HEAD BOLT	M10 X 1.5 X 20MM, CL10.9
15	400058X1	4	HEXAGONAL HEAD BOLT	M10 X 1.5 X 30MM
16	400152X1	4	HEXAGONAL HEAD BOLT	M6 X 1 X 16MM, CL10.9
18	400287X1	12	FLAT WASHER	11MM X 21MM X 2.5MM
19	400339X1	4	FLAT WASHER	9MM X 16MM X 2MM
20	400340X1	5	HEX NUT	M8 X 1.25MM X 13MM
23	400612X1	2	HEX HEAD PLUG	-6 STOR
29	402294X1	7	CABLE TIE	390MM X 7.6MM
30	402895X1	3	CARRIAGE BOLT	M8-1.25 X 90
31	4351065M1	1	ELECTROVALVE	
33	559003D1	1	INFORMATIONAL DECAL	DEF FILTER
34	570714D1	1	HOSE	6MM X 357MM
35	570716D2	1	HOSE ASSY	DEF, 8X8X3600
36	589925D1	1	VALVE BRACKET	
37	593450D1	1	MOUNTING PLATE	
38	593452D1	1	HOSE ASSY	9.5X8X500
44	CH5P-1442	-	BULK HIGH TEMPERATUR HOSE BULK: 5330 MM	9.52MM ID
45	CH5P-4924	2	ELBOW FITTING	90 DEGREE 6 STOR X 9.52 BARB
	400318X1	1	O-RING	11.89MM ID X 1.98MM
47	CH6N-6984	4	ISOLATOR MOUNT	11.18MM ID
48	CH8T-4205	4	FLAT WASHER	7.2MM X 14.5MM X 2MM
49	CH8T-4222	8	FLAT WASHER	11MM ID X 32MM OD X 2.5MM



589921D2-1-01

589921D2 - DIESEL EXHAUST FLUID LINES - 2017

ITEM	PART NUMBER	QTY	DESCRIPTION COMMENTS	TECHNICAL SPECIFICATION
			2017 ROW	
1	215-8051	4	BRACKET	
2	WR55280	1	HEX FLANGE NUT	M8 X 1.25
3	WR55289	2	HEX FLANGE NUT	M10 X 1.5, CL10
5	AG519751	4	P-CLIP	1-3/8" DIA, COATED
6	7774664	1	HEX NUT	M10 X 1.5
7	AG561025	14	HOSE CLAMP	8MM-17MM, MINI
8	V837074663	1	MODULE	
10	3009283X1	3	HEX SOCKET SCREW	M6 X 30 (1.0) CL10
11	400039X1	2	HEXAGONAL HEAD BOLT	M10 X 1.5 X 25MM, CL10.9
12	400040X1	7	HEXAGONAL HEAD BOLT	M10 X 1.5 X 20MM, CL10.9
13	400044X1	1	HEXAGONAL HEAD BOLT	M10 X 1.5 X 80MM, CL10.9
14	400053X1	5	HEXAGONAL HEAD BOLT	M8 X 1.25 X 20MM, CL10.9
17	400226X1	1	HEXAGONAL HEAD BOLT	M10 X 1.5 X 50MM 10.9
18	400287X1	12	FLAT WASHER	11MM X 21MM X 2.5MM
19	400339X1	7	FLAT WASHER	9MM X 16MM X 2MM
20	400340X1	5	HEX NUT	M8 X 1.25MM X 13MM
21	400341X1	1	HEXAGONAL HEAD BOLT	M8 X 1.25 X 25MM
22	400599X1	7	FLAT WASHER	M8 X 20.5MM OD X 2MM THK
23	400657X1	2	CLIP	COATED
24	400702X1	2	P-CLIP	15.8MM ID
25	401692X1	2	ADAPTER FITTING	M18 X 1.5 X 3/4"-16
26	402123X1	2	QUICK COUPLER	6-J2044 X 6 HB
27	402158X1	2	ADAPTER FITTING	08JIC X -06HB
28	402294X1	6	CABLE TIE	390MM X 7.6MM
32	4389372M2	1	RESERVOIR	UREA
35	570716D2	1	HOSE ASSY	DEF, 8X8X3600
41	CH212-0279	1	SPACER	11.1MM ID X 10.1MM OD X 62MM
42	CH2B-0941	1	SPACER	
43	CH4D-7733	2	CLIP	17.46MM ID
44	CH4P-7581	1	LADDER CLIP	12.5MM X 15D
45	CH5P-1442	-	BULK HIGH TEMPERATUR HOSE BULK: 5225 MM	9.52MM ID
46	CH6D-4244	3	P-CLIP	

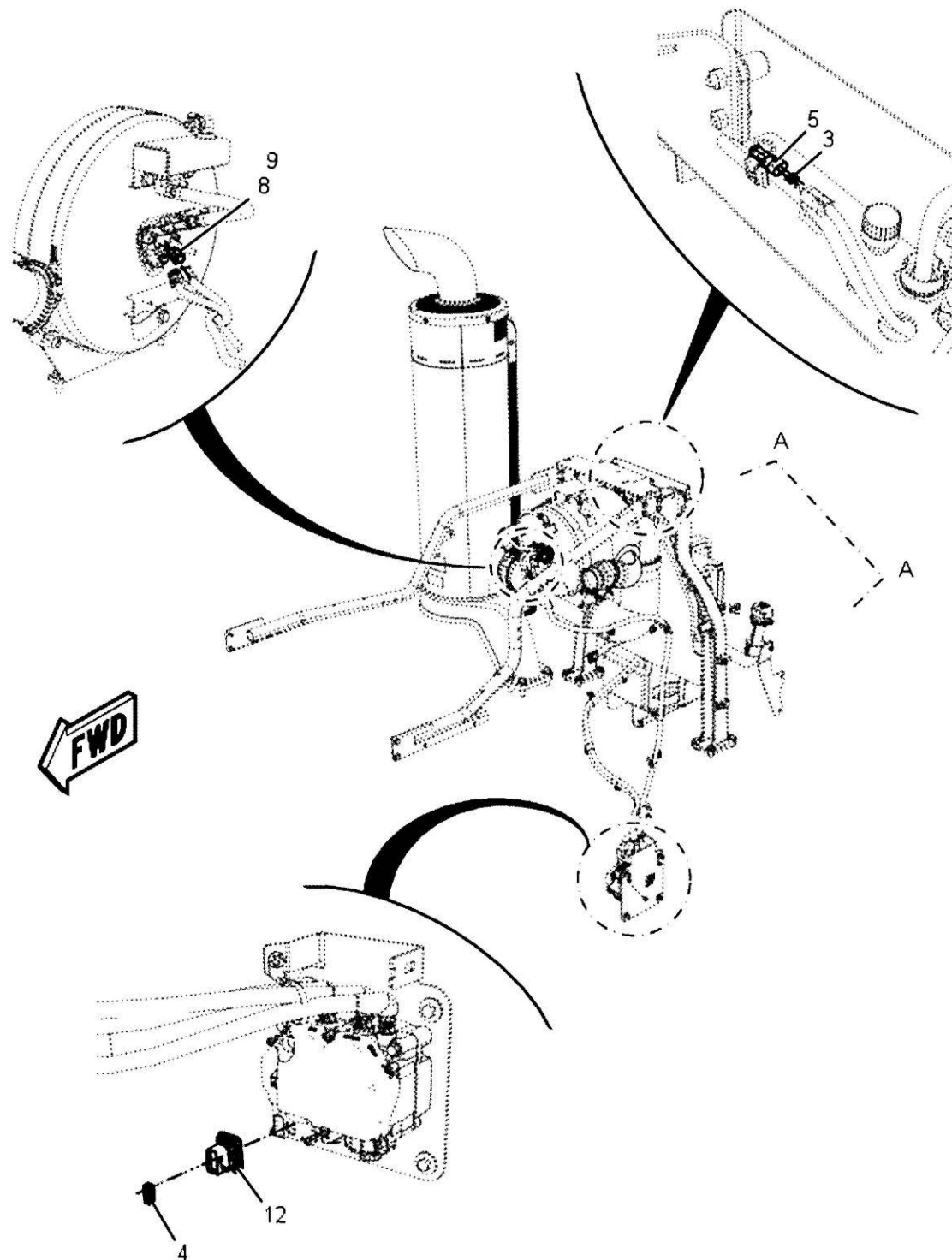


589921D2-1-02

589921D2 - DIESEL EXHAUST FLUID LINES - 2017

ITEM	PART NUMBER	QTY	DESCRIPTION COMMENTS	TECHNICAL SPECIFICATION
			2017 ROW	
4	AG519494	1	SLEEVE	
7	AG561025	14	HOSE CLAMP	8MM-17MM, MINI
9	V837084092	1	MODULE	
12	400040X1	7	HEXAGONAL HEAD BOLT	M10 X 1.5 X 20MM, CL10.9
15	400058X1	4	HEXAGONAL HEAD BOLT	M10 X 1.5 X 30MM
16	400152X1	4	HEXAGONAL HEAD BOLT	M6 X 1 X 16MM, CL10.9
18	400287X1	12	FLAT WASHER	11MM X 21MM X 2.5MM
19	400339X1	7	FLAT WASHER	9MM X 16MM X 2MM
20	400340X1	5	HEX NUT	M8 X 1.25MM X 13MM
28	402294X1	6	CABLE TIE	390MM X 7.6MM
29	402717X1	2	ELBOW	-8 MSTOR X -6 BARB
30	402895X1	3	CARRIAGE BOLT	M8-1.25 X 90
31	4351065M1	1	ELECTROVALVE	
33	559003D1	1	INFORMATIONAL DECAL	DEF FILTER
34	570714D1	1	HOSE	6MM X 357MM
35	570716D2	1	HOSE ASSY	DEF, 8X8X3600
36	589925D1	1	VALVE BRACKET	
37	593450D1	1	MOUNTING PLATE	
38	593452D1	1	HOSE ASSY	9.5X8X500
40	CH148-8411	2	HEX HEAD PLUG	-8 STOR
	CH3K-0360	1	O-RING	16.36MM ID X 2.21MM
45	CH5P-1442	-	BULK HIGH TEMPERATUR HOSE BULK: 5225 MM	9.52MM ID
47	CH6N-6984	4	ISOLATOR MOUNT	11.18MM ID
48	CH8T-4205	4	FLAT WASHER	7.2MM X 14.5MM X 2MM
49	CH8T-4222	8	FLAT WASHER	11MM ID X 32MM OD X 2.5MM

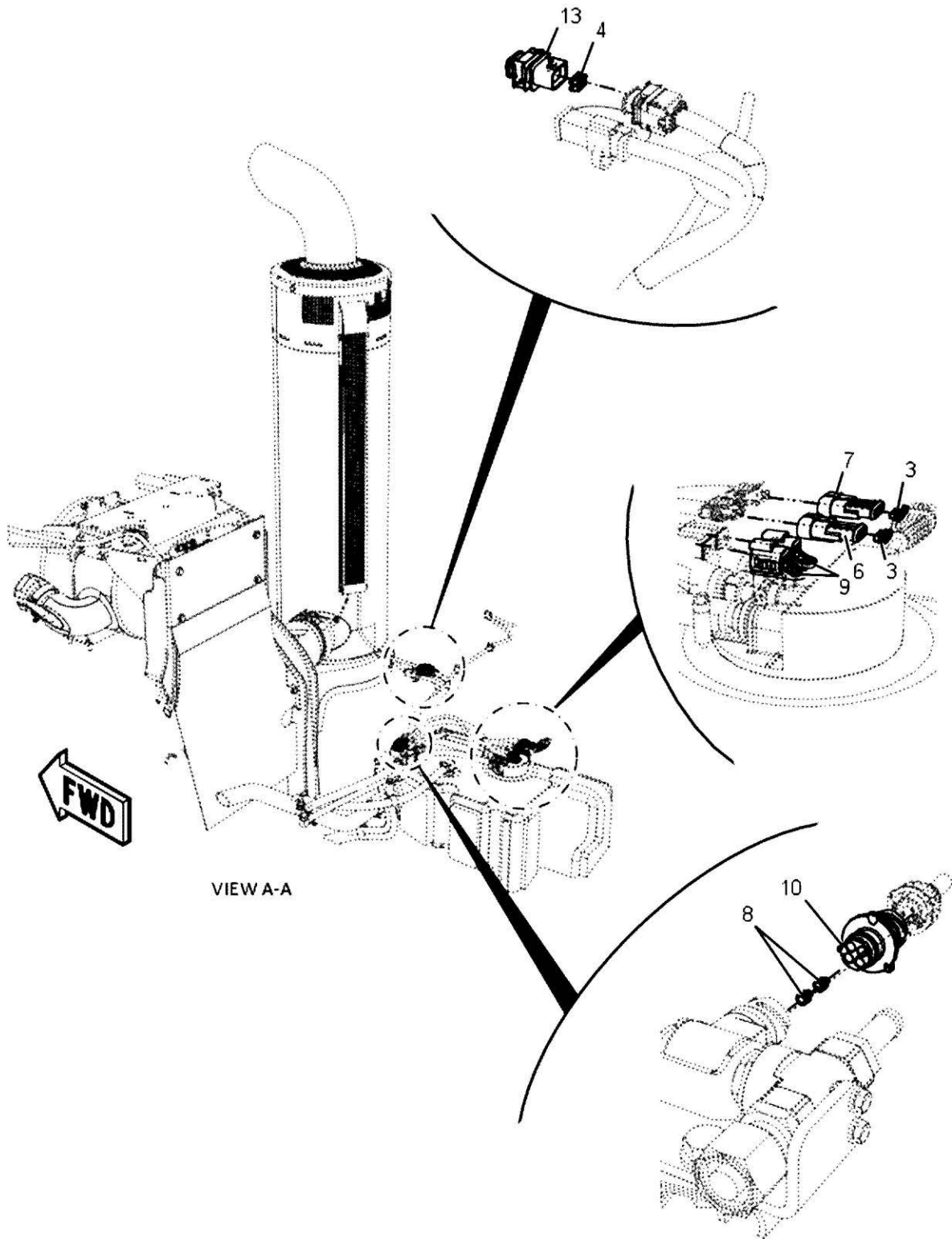
567633D1-3-01



567633D1 - CAPS INSTALLATION, LESS REGULATED COUNTRIES

ITEM	PART NUMBER	QTY	DESCRIPTION COMMENTS	TECHNICAL SPECIFICATION
	AG128921	4	PLUG SEAL NOT ILLUSTRATED	JPT
	AG518989		SEALANT NOT ILLUSTRATED	
3	401506X1	9	CAVITY PLUG SEAL	6.1MM X 7.8MM
4	527161D1	20	PLUG	
5	529852D1	1	ELECTRICAL CONNECTOR	2 PIN
8	538616D1	2	PLUG	
9	555577D1	3	ELECTRICAL PLUG CAP	2 PIN
	560404D1	1	ELECTRICAL CONNECTOR NOT ILLUSTRATED	2 PIN
12	560846D1	1	RECEPTACLE CONNECTOR	12 PIN

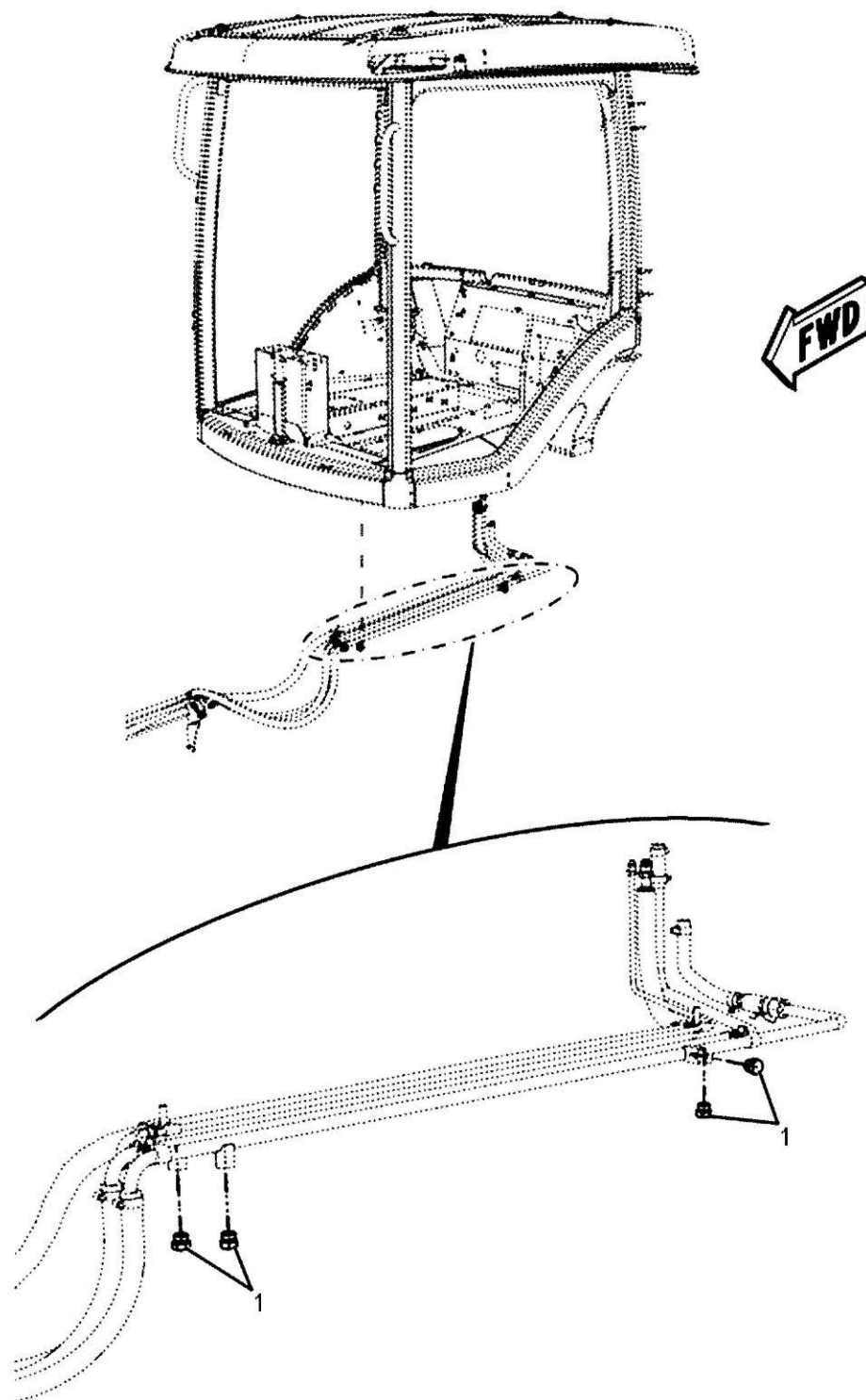
567633D1-3-02



567633D1 - CAPS INSTALLATION, LESS REGULATED COUNTRIES

ITEM	PART NUMBER	QTY	DESCRIPTION COMMENTS	TECHNICAL SPECIFICATION
3	401506X1	9	CAVITY PLUG SEAL	6.1MM X 7.8MM
4	527161D1	20	PLUG	
6	529853D1	1	ELECTRICAL CONNECTOR	3 PIN
7	529854D1	1	RECEPTACLE CONNECTOR	4 PIN
8	538616D1	2	PLUG	
9	555577D1	3	ELECTRICAL PLUG CAP	2 PIN
10	560362D1	1	ELECTRICAL CONNECTOR	2.5A, 4 PIN
13	563789D1	1	CONNECTOR PLUG	8 PIN

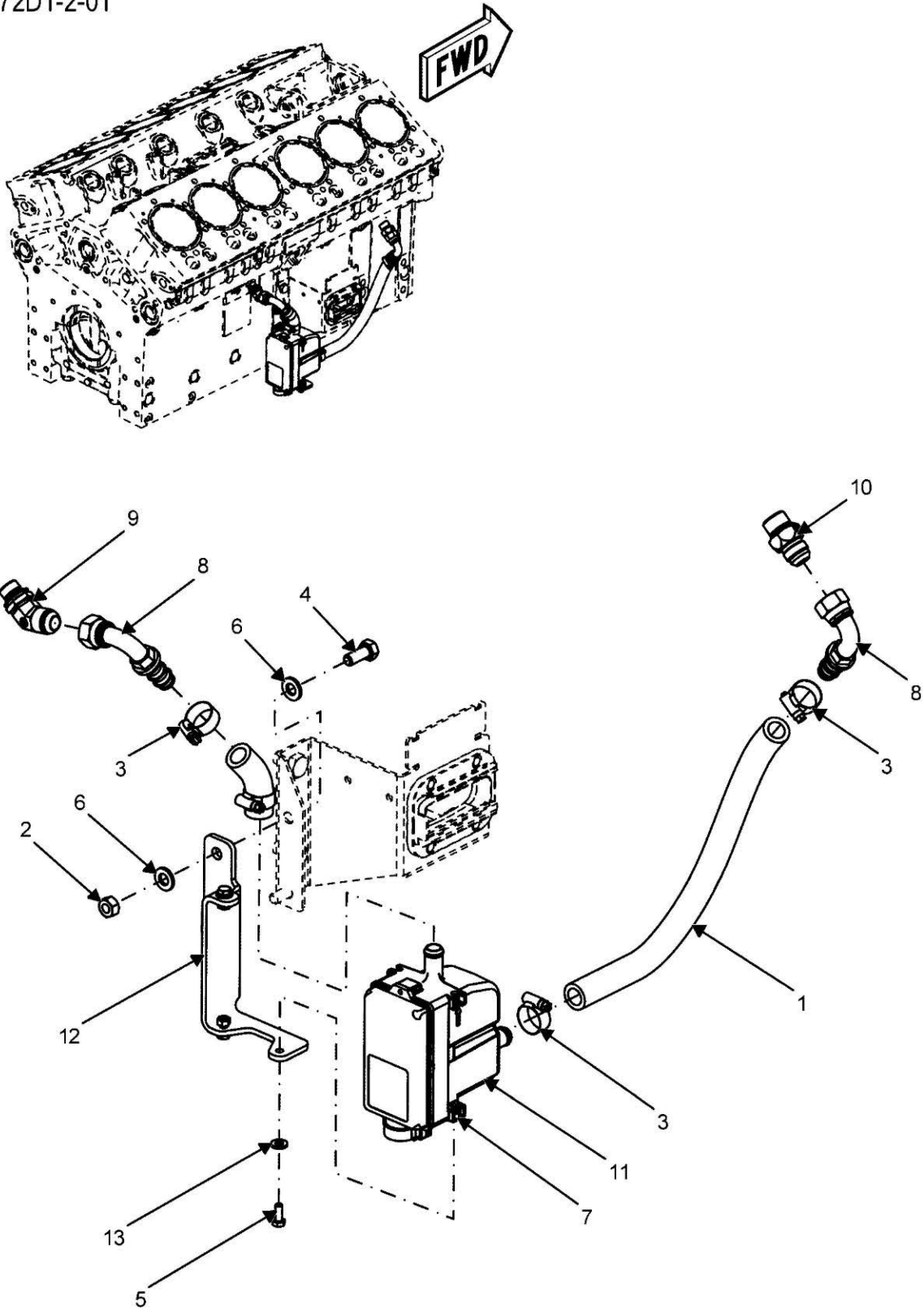
568396D1-3-01



568396D1 - PLUG INSTALLATION, LESS REGULATED COUNTRIES - EMISSIONS ARRANGEMENT

ITEM	PART NUMBER	QTY	DESCRIPTION COMMENTS	TECHNICAL SPECIFICATION
1	CH148-8411	4	HEX HEAD PLUG	-8 STOR
	CH3K-0360	4	O-RING	16.36MM ID X 2.21MM

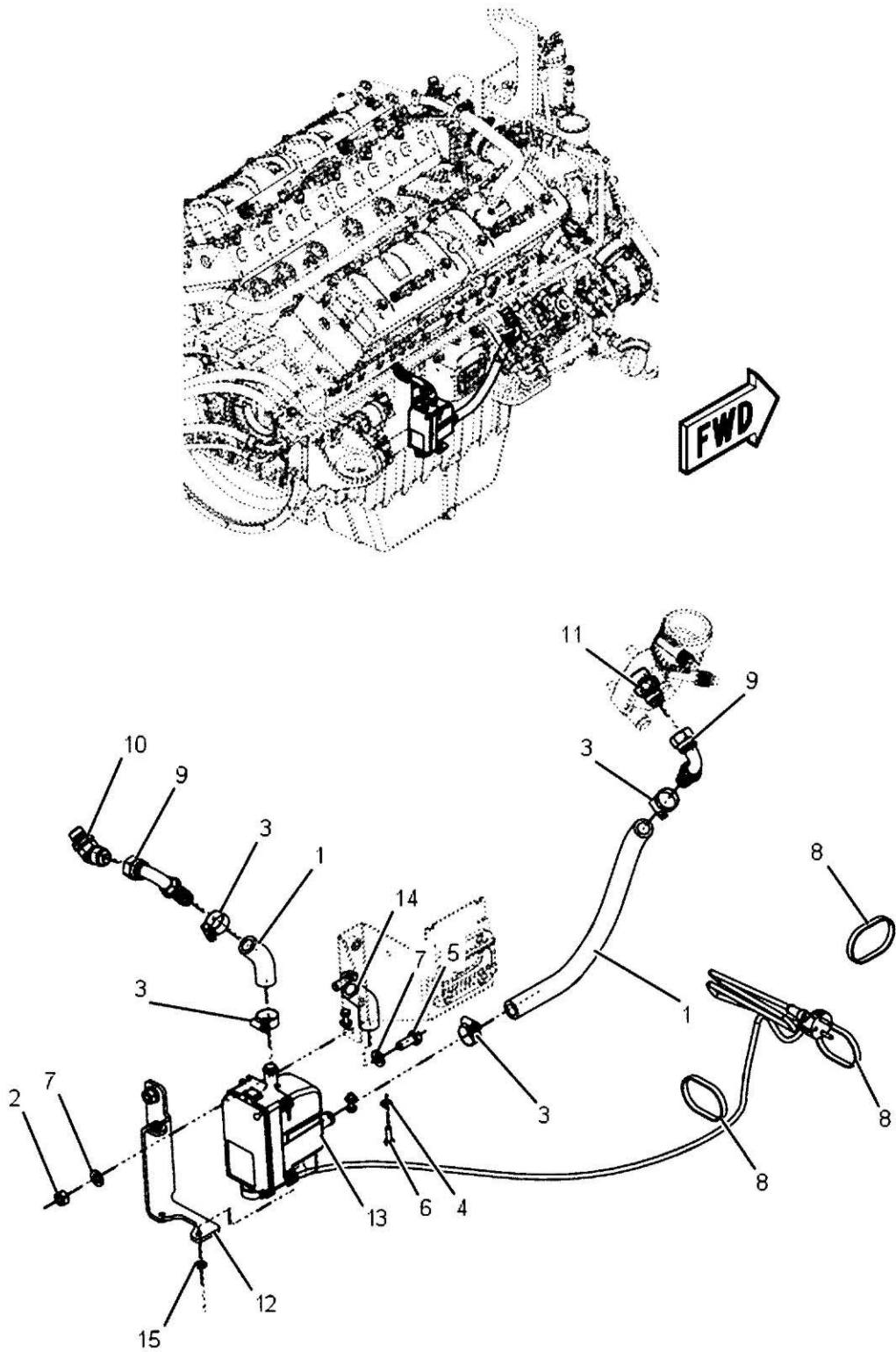
570272D1-2-01



570272D1 - WATER JACKET HEATER GROUP, 120 VOLT

ITEM	PART NUMBER	QTY	DESCRIPTION COMMENTS	TECHNICAL SPECIFICATION
1	AG513423	-	HOSE BULK: 395 MM	5/8", EPDM
2	7774664	2	HEX NUT	M10 X 1.5
3	AG561228	4	HOSE CLAMP	9/16"-1-1/16", SS
4	400039X1	2	HEXAGONAL HEAD BOLT	M10 X 1.5 X 25MM, CL10.9
5	400152X1	3	HEXAGONAL HEAD BOLT	M6 X 1 X 16MM, CL10.9
6	400287X1	4	FLAT WASHER	11MM X 21MM X 2.5MM
7	400300X1	3	HEX NUT	M6 X 1
8	402503X1	2	ELBOW	5/8" FJICS X 5/8" HB, 90D
9	402784X1	1	ELBOW FITTING	5/8" JIC X M18 45D
	AG425752	1	O-RING	M18
10	402785X1	1	ELBOW FITTING	5/8" MORX X 5/8" MJ
	400319X1	1	O-RING	19.18MM ID X 2.46MM
11	570267D1	1	HEATER	120V, 1500WATTS
12	570269D1	1	BRACKET	
13	CH8T-4205	3	FLAT WASHER	7.2MM X 14.5MM X 2MM

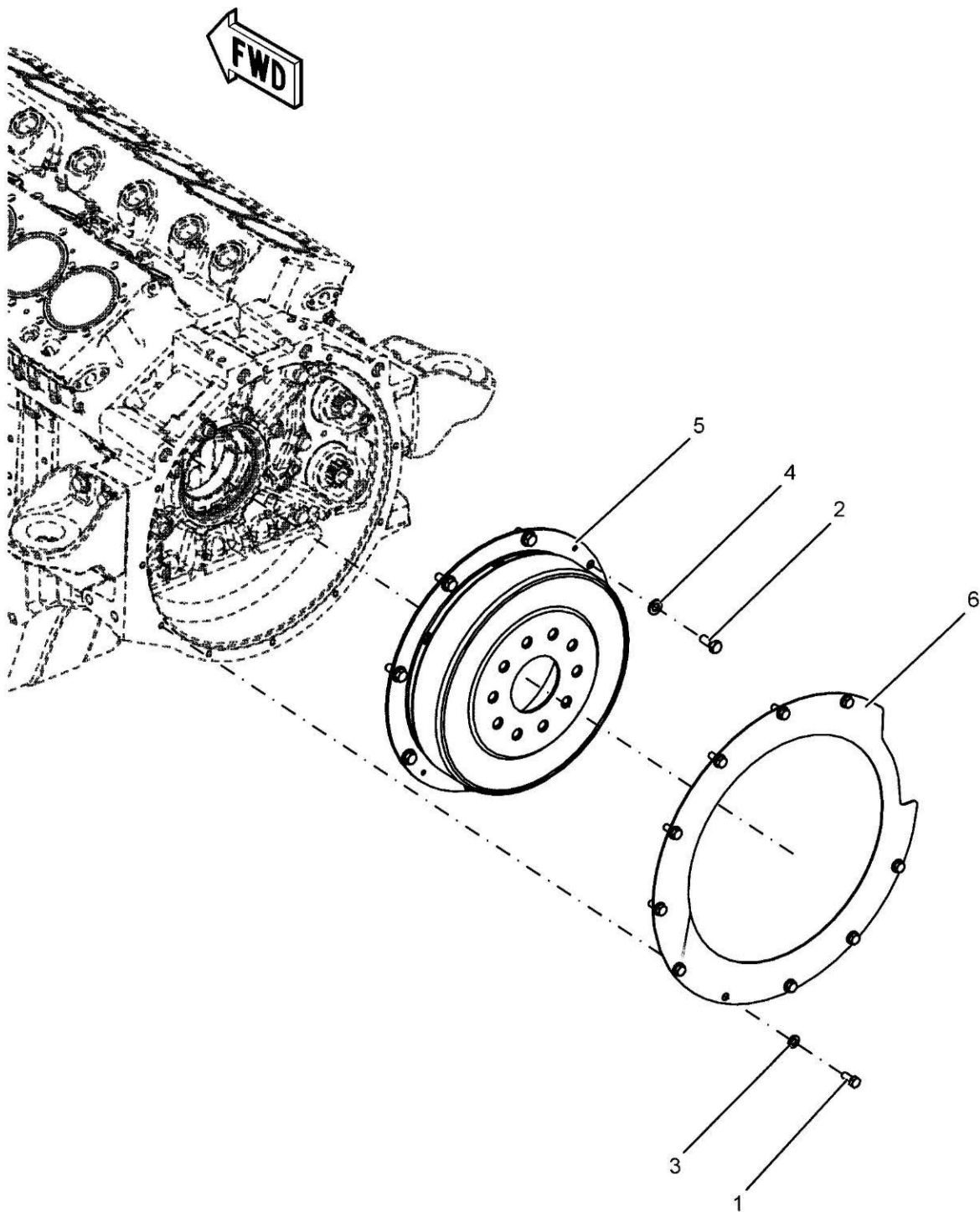
553745D1-3-01-



553745D1 - WATER JACKET HEATER GROUP, 240 VOLT

ITEM	PART NUMBER	QTY	DESCRIPTION COMMENTS	TECHNICAL SPECIFICATION
1	AG513423	-	HOSE BULK: 395 MM	5/8", EPDM
2	7774664	2	HEX NUT	M10 X 1.5
3	AG561228	4	HOSE CLAMP	9/16"-1-1/16", SS
4	390833X1	3	NUT	M6-ISO 4-ZN
5	400039X1	2	HEXAGONAL HEAD BOLT	M10 X 1.5 X 25MM, CL10.9
6	400221X1	3	HEXAGONAL HEAD BOLT	M6 X 1 X 20MM, CL10.9
7	400287X1	4	FLAT WASHER	11MM X 21MM X 2.5MM
8	402294X1	3	CABLE TIE	390MM X 7.6MM
9	402503X1	2	ELBOW	5/8" FJICS X 5/8" HB, 90D
10	402784X1	1	ELBOW FITTING	5/8" JIC X M18 45D
11	402785X1	1	ELBOW FITTING	5/8" MORX X 5/8" MJ
	400319X1	1	O-RING	19.18MM ID X 2.46MM
12	570269D1	1	BRACKET	
13	571988D1	1	HEATER 240 VOLT, 1500 WATT	120V, 1500WATTS
14	575504D1	1	FORMED HOSE	
15	CH8T-4205	3	FLAT WASHER	7.2MM X 14.5MM X 2MM

553127D1-3-AA485-



553127D1 - COUPLING GROUP, ENGINE DRIVE COUPLER

ITEM	PART NUMBER	QTY	DESCRIPTION COMMENTS	TECHNICAL SPECIFICATION
1	400039X1	10	HEXAGONAL HEAD BOLT	M10 X 1.5 X 25MM, CL10.9
2	400041X1	8	HEXAGONAL HEAD BOLT	M12 X 1.75 X 30MM, CL10.9
3	400287X1	10	FLAT WASHER	11MM X 21MM X 2.5MM
4	400357X1	8	FLAT WASHER	M12 X 25.5 X 3MM
5	553128D1	1	FLYWHEEL COUPLING	
6	563421D1	1	COVER	